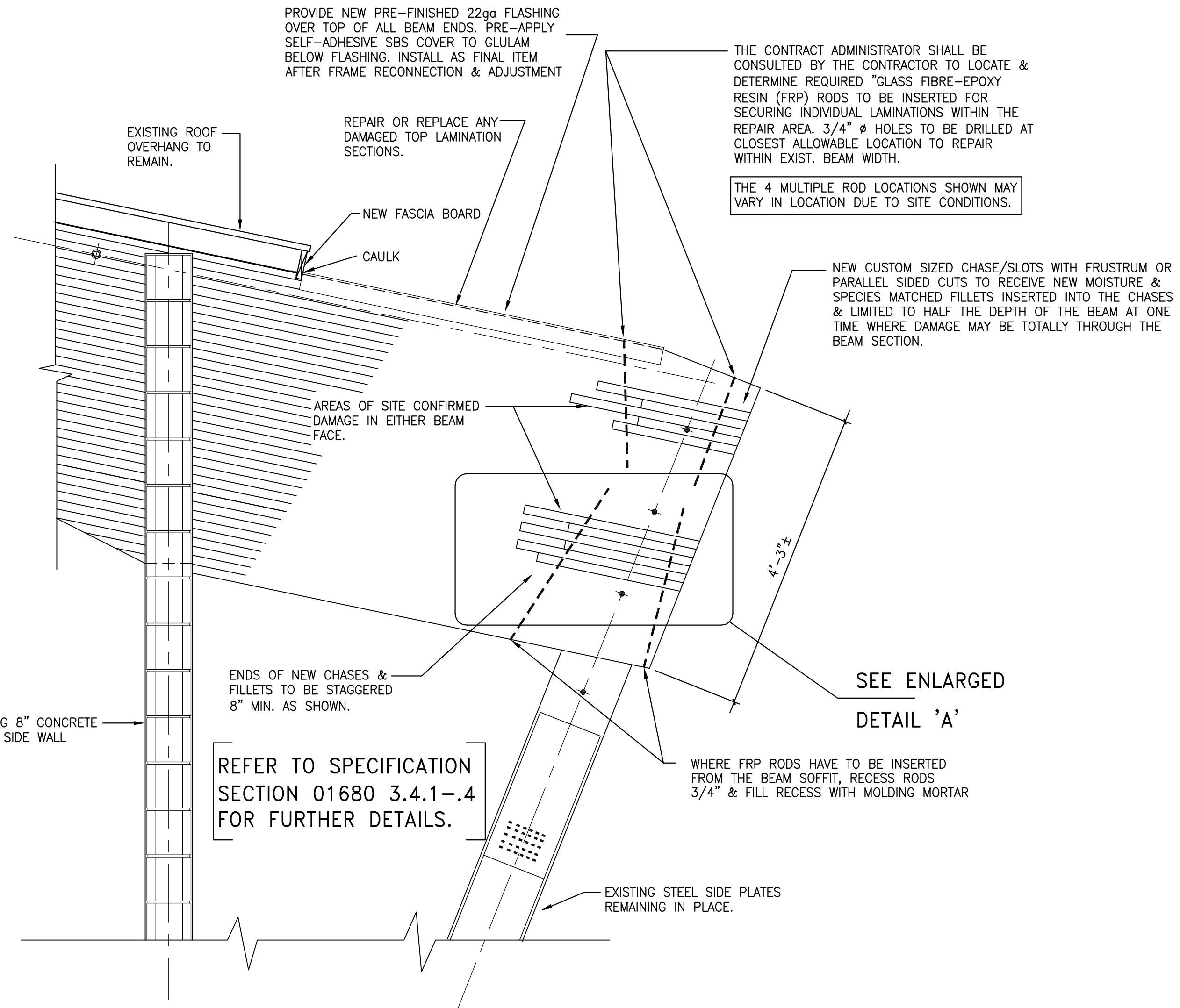


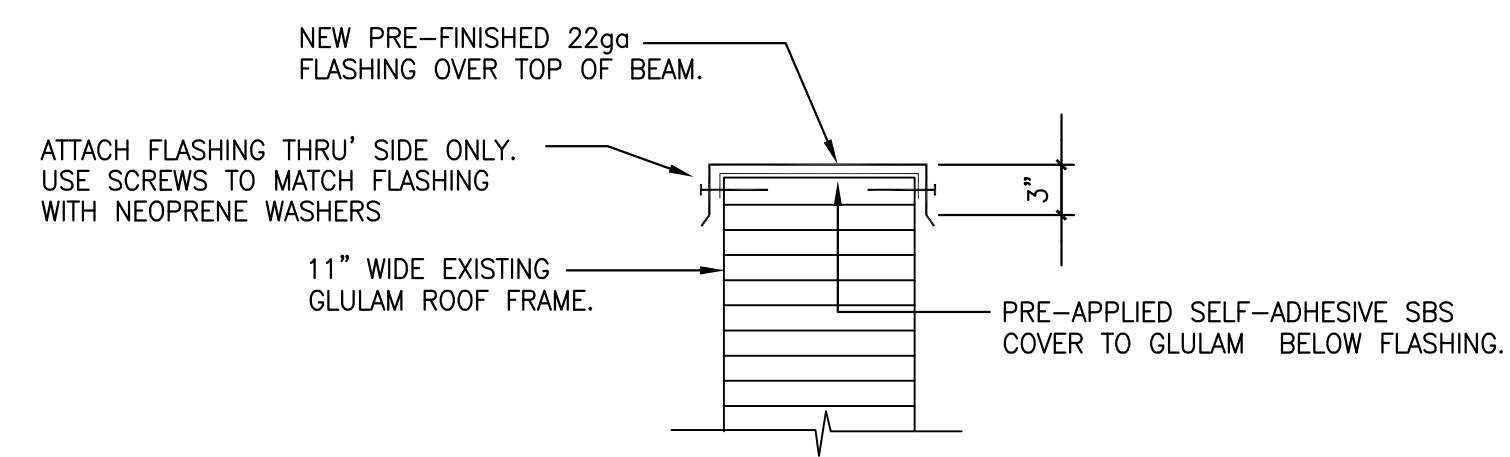
EXTERIOR FRAME OVERHANG TYPE 2 - NEW
3/4" TO ONE FOOT

NEW REPAIR WORK TO GLULAM OVERHANG

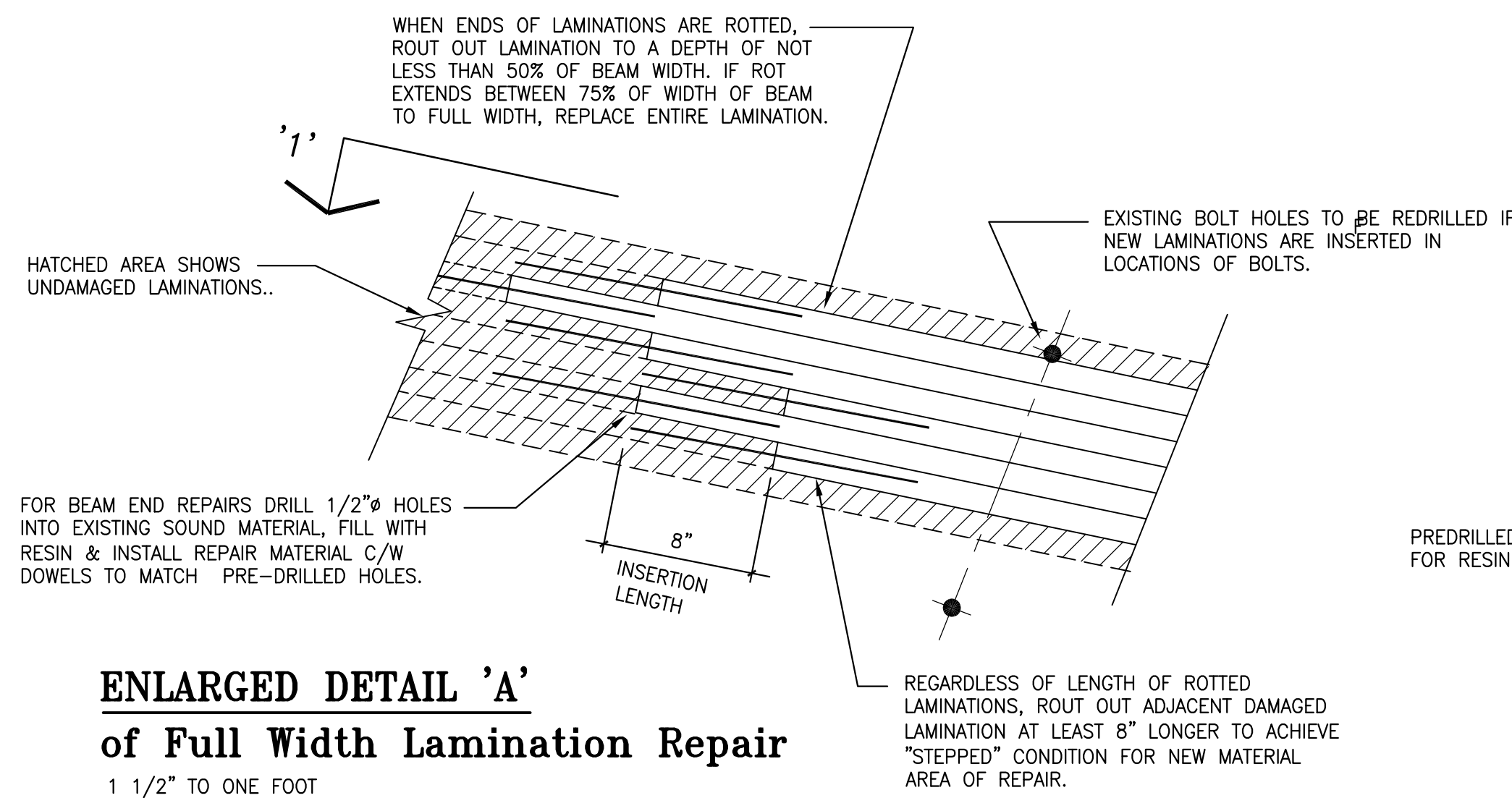


EXTERIOR FRAME OVERHANG TYPE 3 - NEW
3/4" TO ONE FOOT

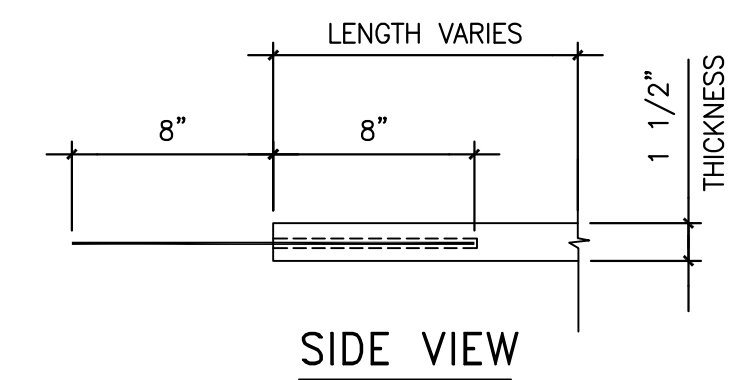
NEW REPAIR WORK TO GLULAM OVERHANG



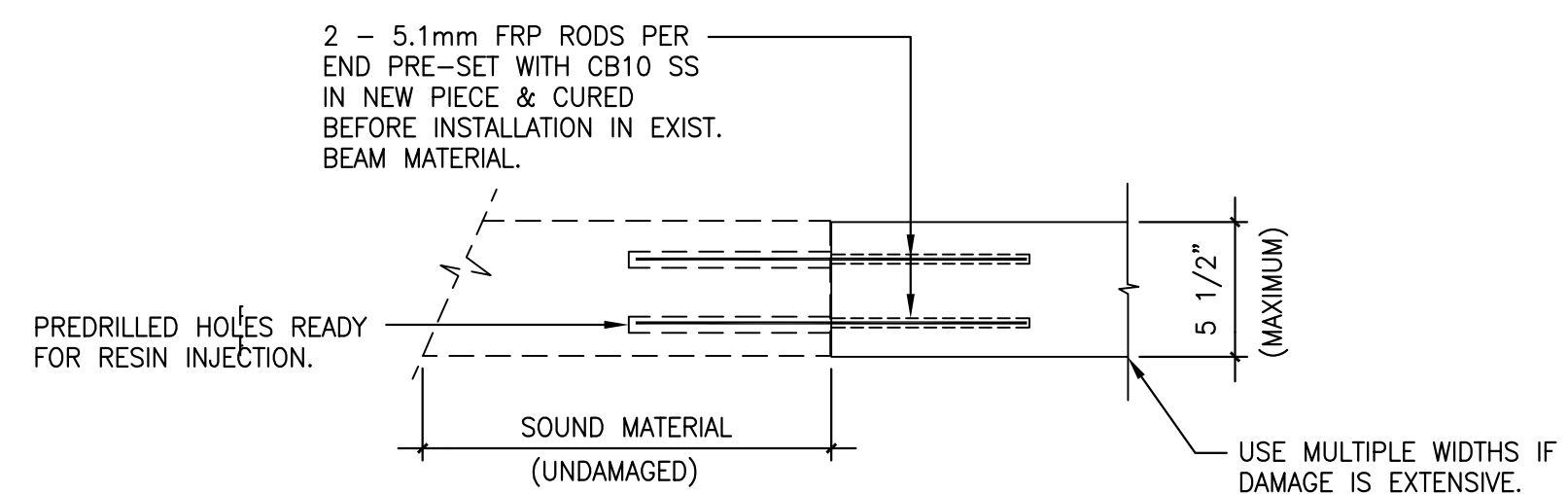
ENLARGED VIEW '2'
1" TO ONE FOOT



ENLARGED DETAIL 'A'
of Full Width Lamination Repair
1 1/2" TO ONE FOOT



SIDE VIEW



ELEVATION OF PREPARED LAMINATION FILLET
1 1/2" TO ONE FOOT

NO.	DESCRIPTION	DATE	BY

REVISIONS (READ UP)

- ALL DRAWINGS AND SPECIFICATIONS ARE THE PROPERTY OF THE ENGINEER.
- NO REPRODUCTIONS MAY BE MADE WITHOUT THE CONSENT OF THE ENGINEER AND ALL REPRODUCTIONS MUST BEAR THE NAME OF THE ENGINEER.
- THE GENERAL CONTRACTOR SHALL VERIFY ALL DIMENSIONS, DATUMS, AND LEVELS NOTED ON THE DRAWINGS WITH CONDITIONS ON SITE, AND SHALL BE RESPONSIBLE FOR REPORTING ANY ERRORS OR OMISSIONS TO THE ENGINEER FOR ADJUSTMENT.
- THIS DRAWING SHALL NOT BE SCALED.

A. F. ESHMADE & ASSOCIATES LTD.
CIVIL & STRUCTURAL ENGINEERING CONSULTANTS
650 - 125 GARRY STREET WINNIPEG, MAN. R3C 3P2
TEL: (204) 942 0039 FAX: (204) 956 0264

CONSULTANT

ARCHITECT

ENGINEER

PROVINCE OF MANITOBA
REGISTERED ENGINEER
A. F. ESHMADE

PROJECT
CITY OF WINNIPEG
PUBLIC WORKS DEPT.
WINNIPEG, MANITOBA

SHEET TITLE
ROLAND MICHENER ARENA
1121 WABASHA AVE. TRANSCONA

DRAWN BY k.m.	DATE 25/04/07	SHEET NO. S-4
CHECKED BY A.F.E.	FILE NO. 131.05	