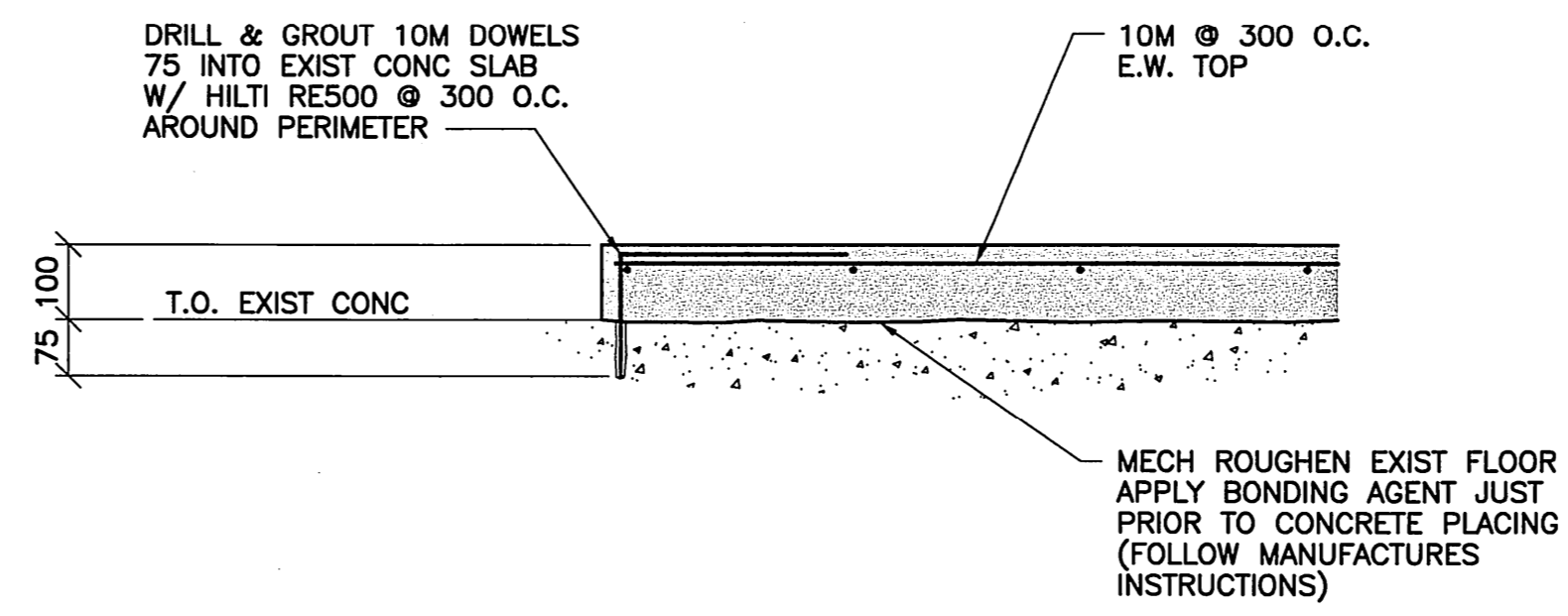
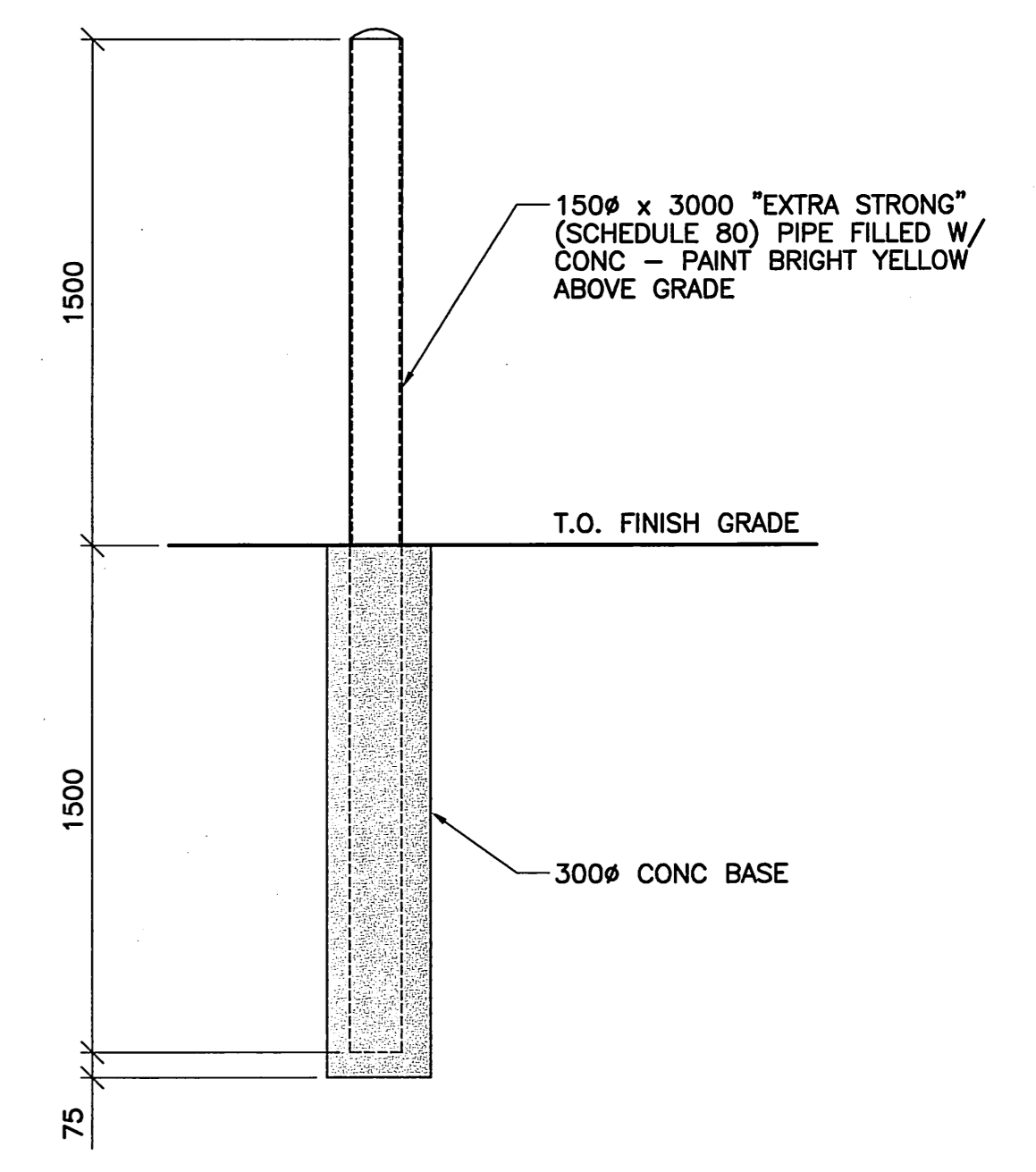


1 SLAB SECTION  
1 : 20

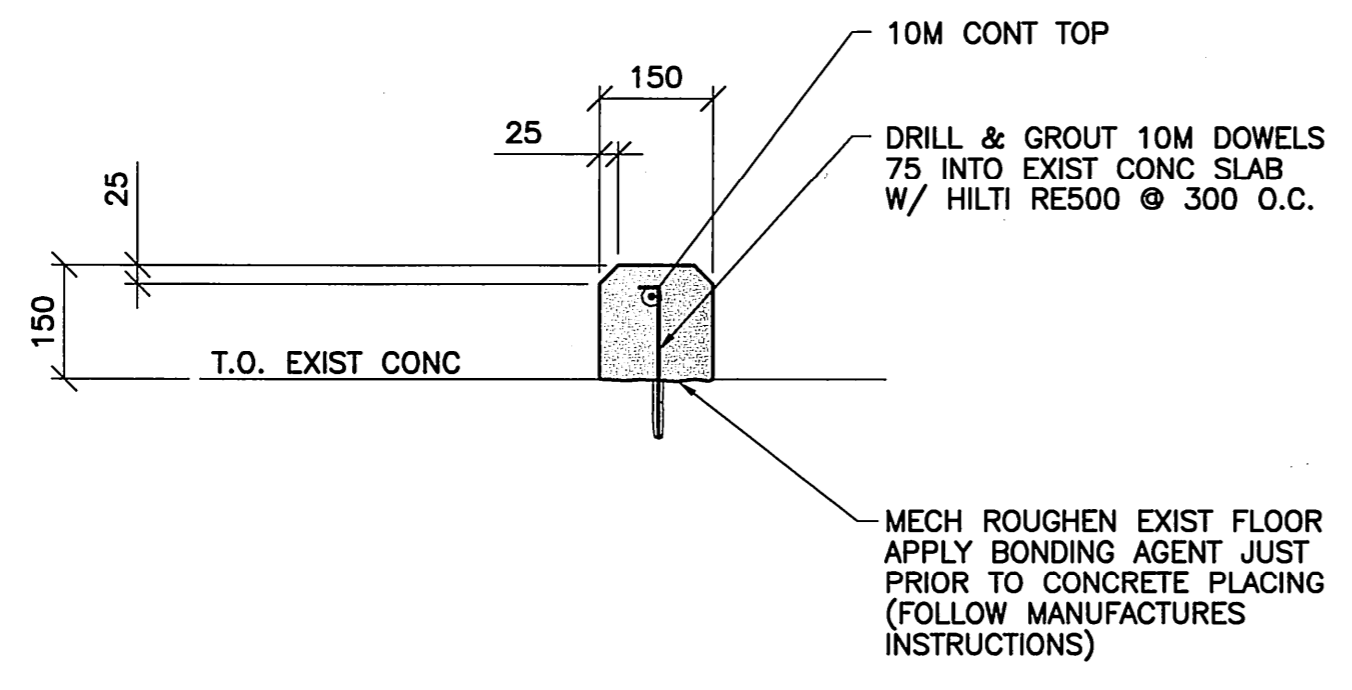


2 HOUSE KEEPING PAD DETAIL @ EXISTING CONCRETE SLAB  
1 : 10

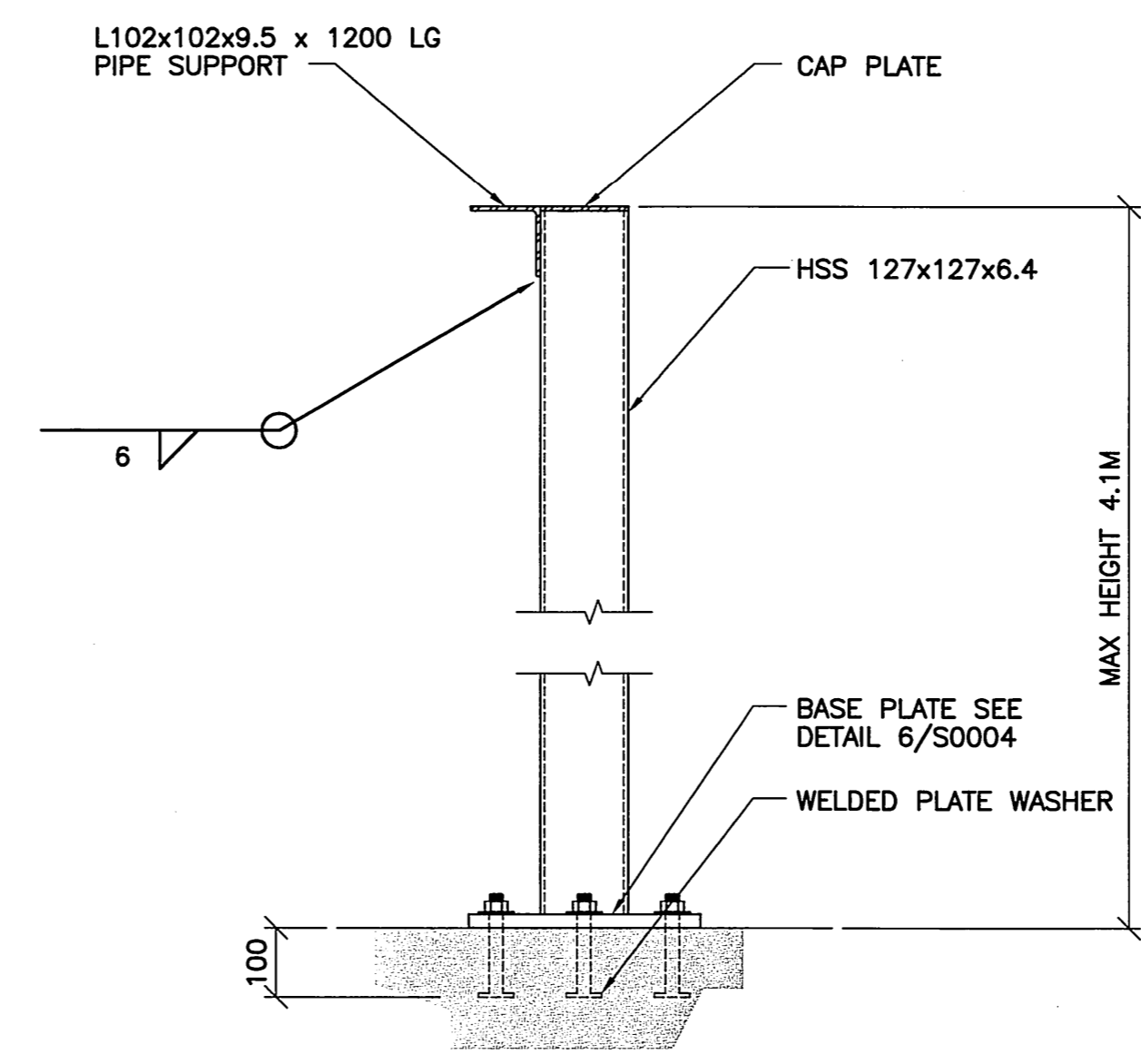
- COORDINATE WITH MECH DWGS FOR SIZES & LOCATIONS



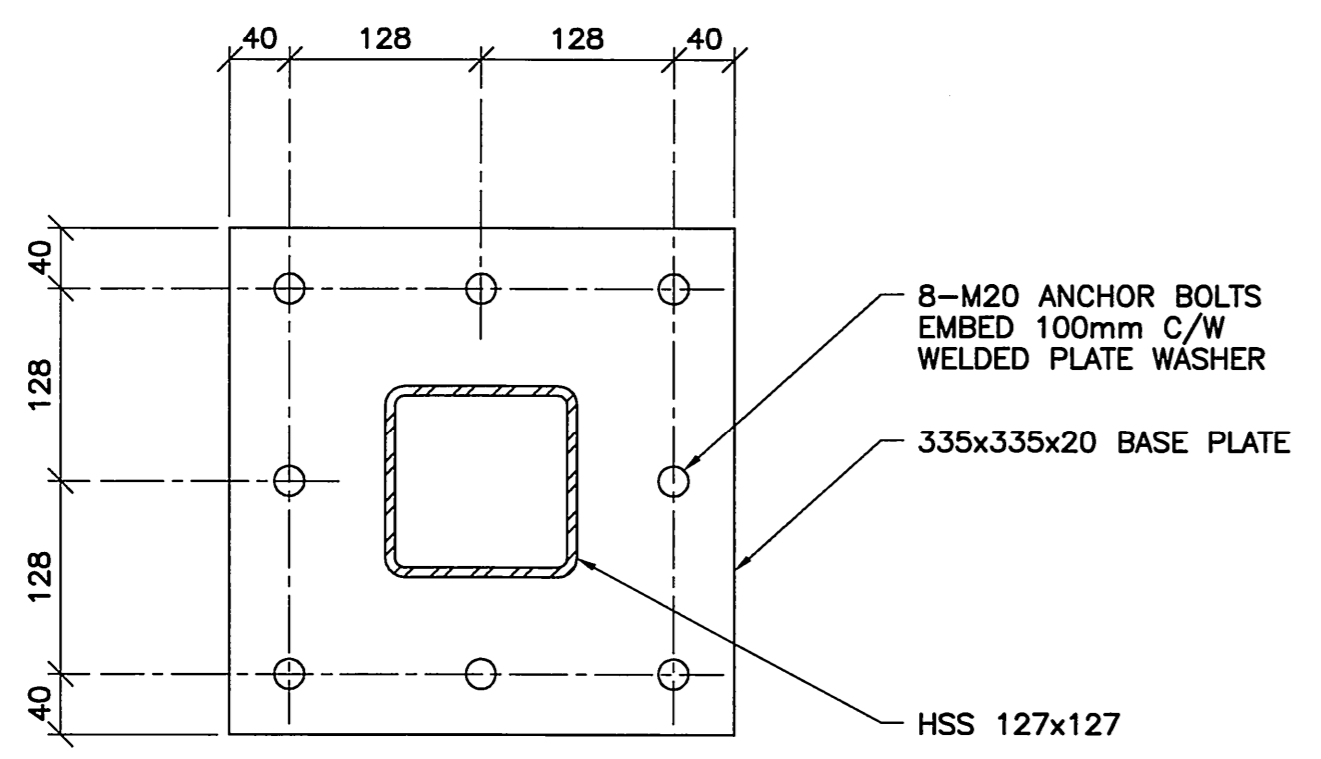
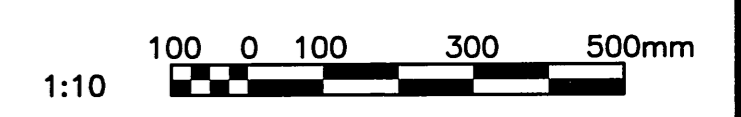
3 TYP BOLLARD DETAIL  
1 : 20



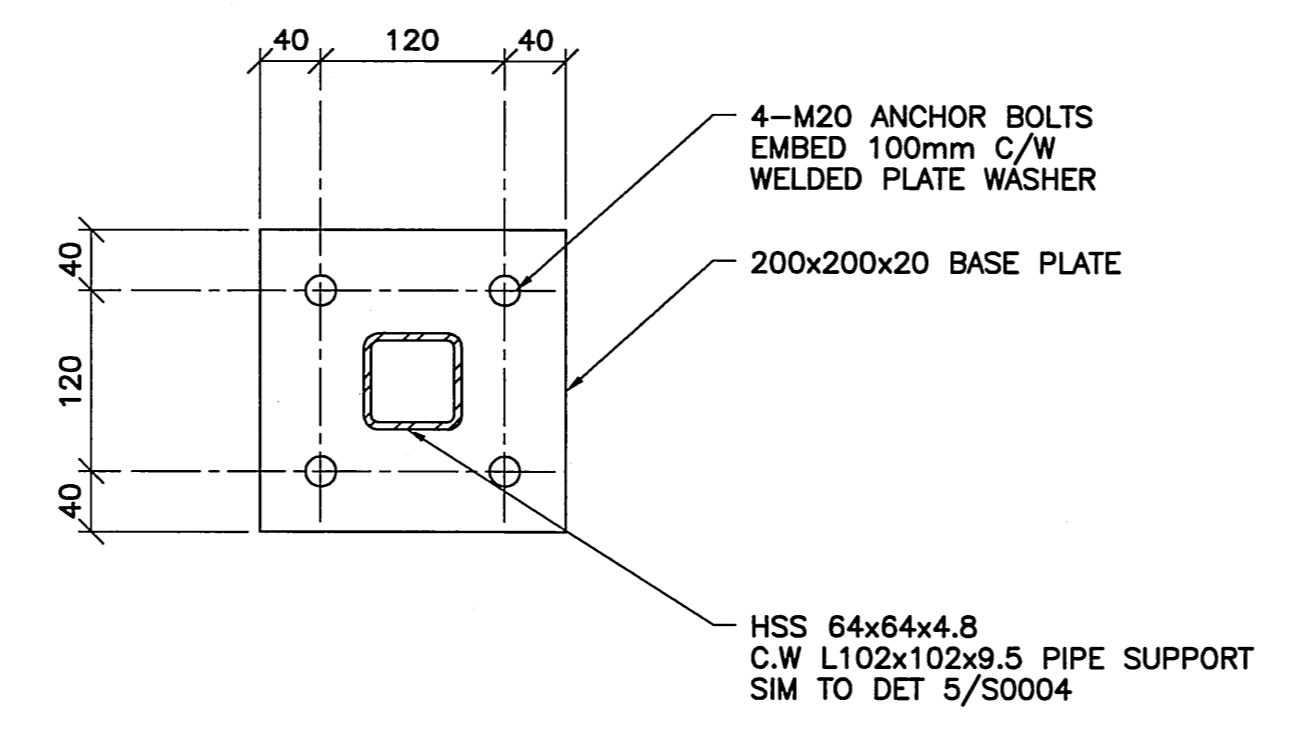
4 CONCRETE CURB DETAIL  
1 : 10



5 TYPICAL PIPE SUPPORT FOR HEIGHT > 3.0M  
S0002/S0003 S0004 1 : 10



6 BASE PLATE DETAIL  
1 : 5



7 PIPE DETAIL FOR HEIGHT < 3.0m  
S0002 S0004 1 : 5

0	ISSUED FOR TENDER	07.04.05	TWS
NO.	DESCRIPTION	DATE	ISSUED BY

**REVISIONS/ISSUE**  
THE CONTENT OF THIS DOCUMENT IS NOT INTENDED FOR THE USE OF, NOR IS IT INTENDED TO BE RELIED UPON BY ANY PERSON, FIRM OR CORPORATION, OTHER THAN THE CLIENT AND WARDROP ENGINEERING INC. WARDROP ENGINEERING DENIES ANY LIABILITY WHATSOEVER TO OTHER PARTIES FOR DAMAGES OR INJURY SUFFERED BY SUCH THIRD PARTY ARISING FROM USE OF THIS DOCUMENT BY THEM, WITHOUT THE EXPRESS PRIOR WRITTEN AUTHORITY OF WARDROP ENGINEERING AND OUR CLIENT. THIS DOCUMENT IS SUBJECT TO FURTHER RESTRICTIONS IMPOSED BY THE CONTRACT BETWEEN THE CLIENT AND WARDROP ENGINEERING INC. AND THESE PARTIES' PERMISSION MUST BE SOUGHT REGARDING THIS DOCUMENT IN ALL OTHER CIRCUMSTANCES.

CLIENT  
**CITY OF WINNIPEG  
TRANSIT DEPARTMENT**

**WARDROP** | Engineering Inc.

PROJECT NAME  
**PETROLEUM STORAGE AND HANDLING SYSTEMS REPLACEMENT**

DRAWING DESCRIPTION  
**SECTIONS & DETAILS**

**APEGM**  
Certificate of Authorization  
Wardrop Engineering Inc.  
No. 195 Expiry: April 30, 2007

DESIGNED BY: TWS	DRAWN BY: JLP	CHECKED BY: <i>[Signature]</i>
APPROVED BY:		
SCALE: AS NOTED	DATE: 07.02.27	
DRAWING NO. 0729720100-DWG-S0004	REV. 0	