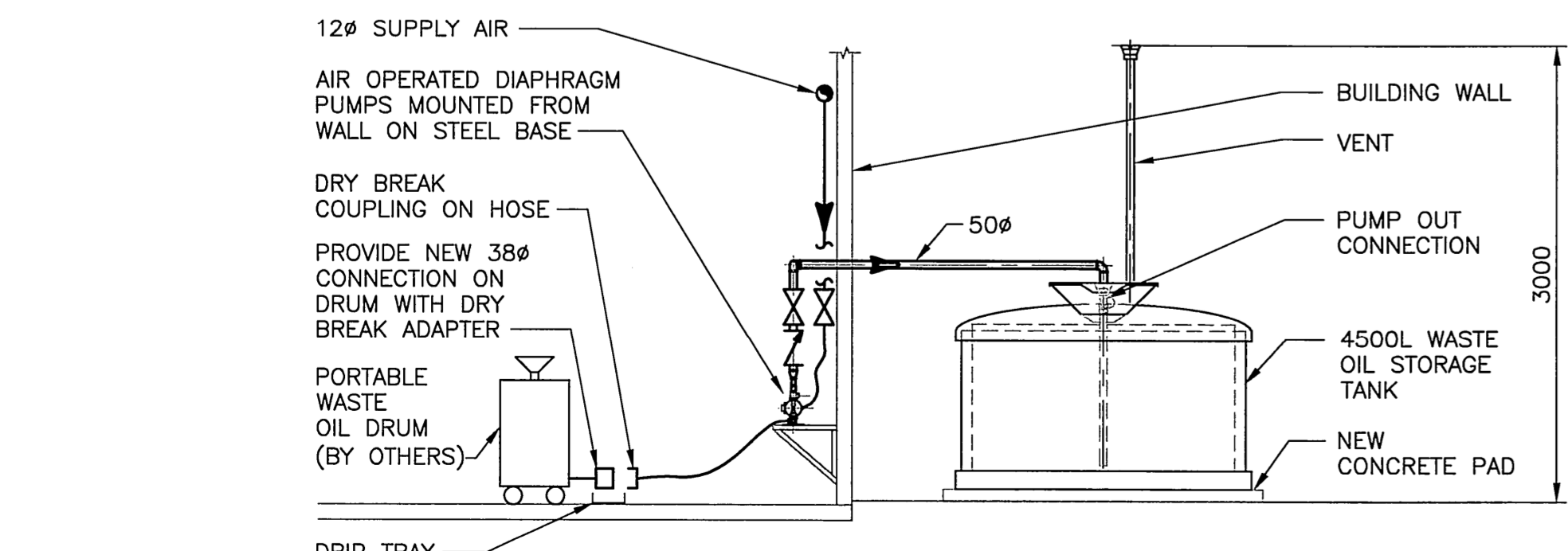
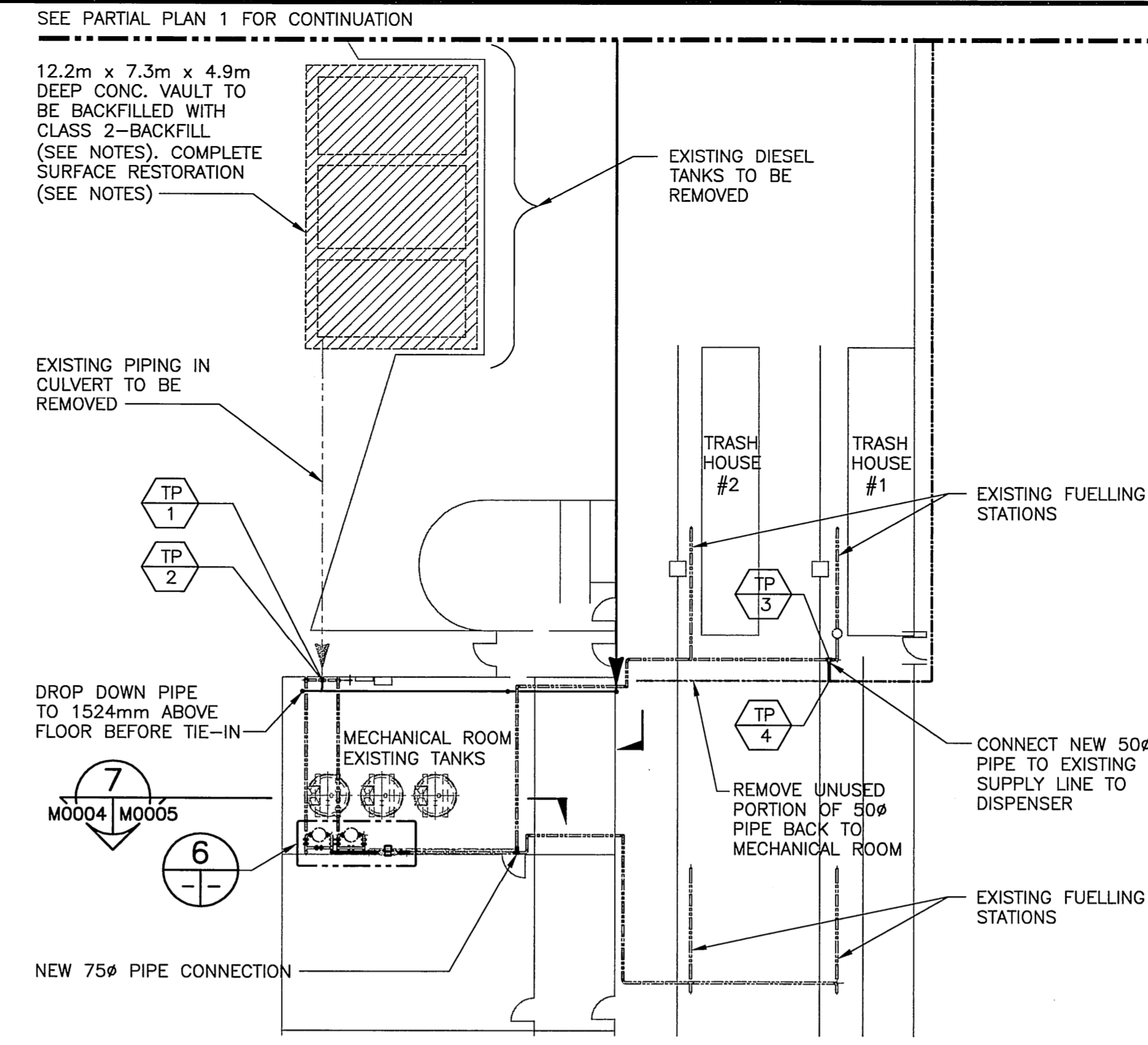


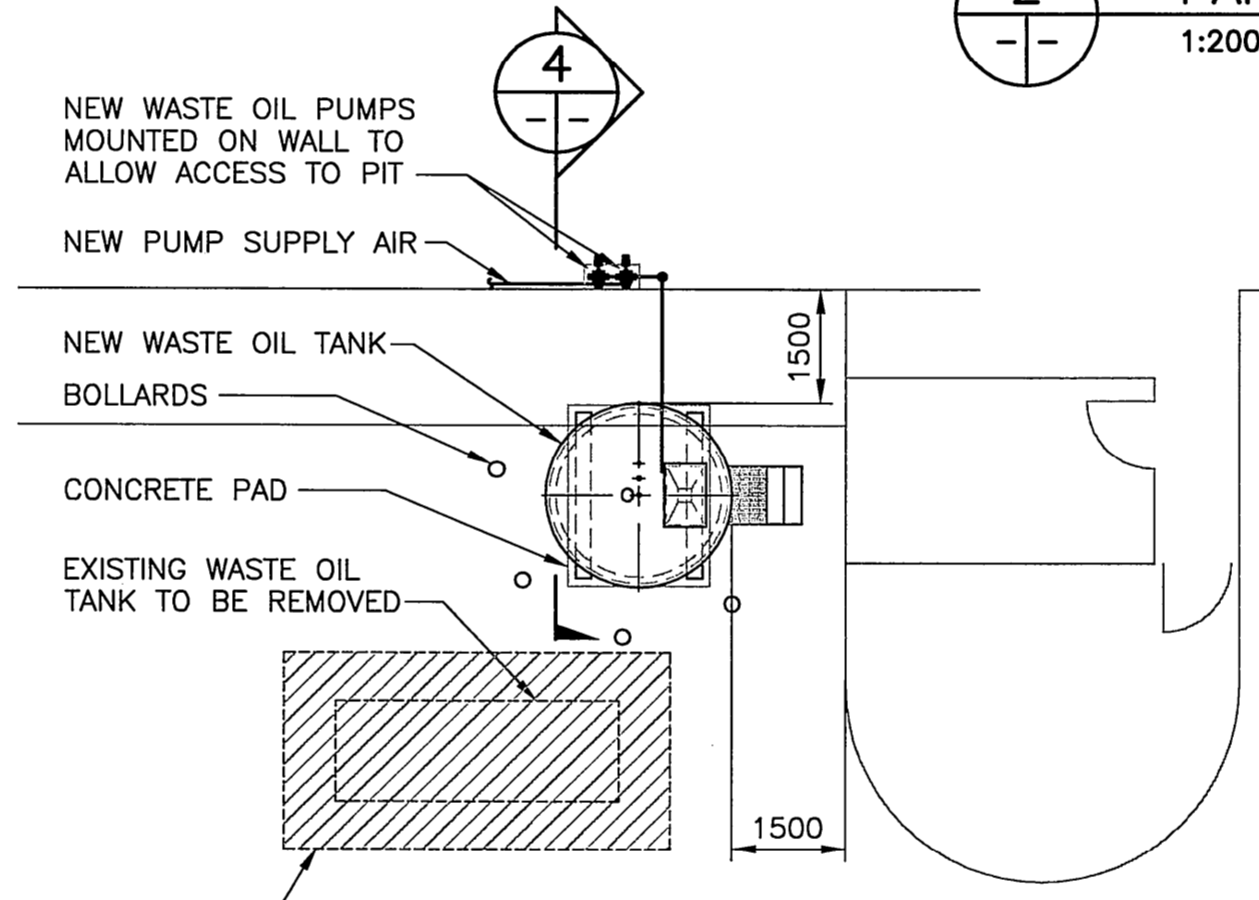
1 PARTIAL PLAN
1:200



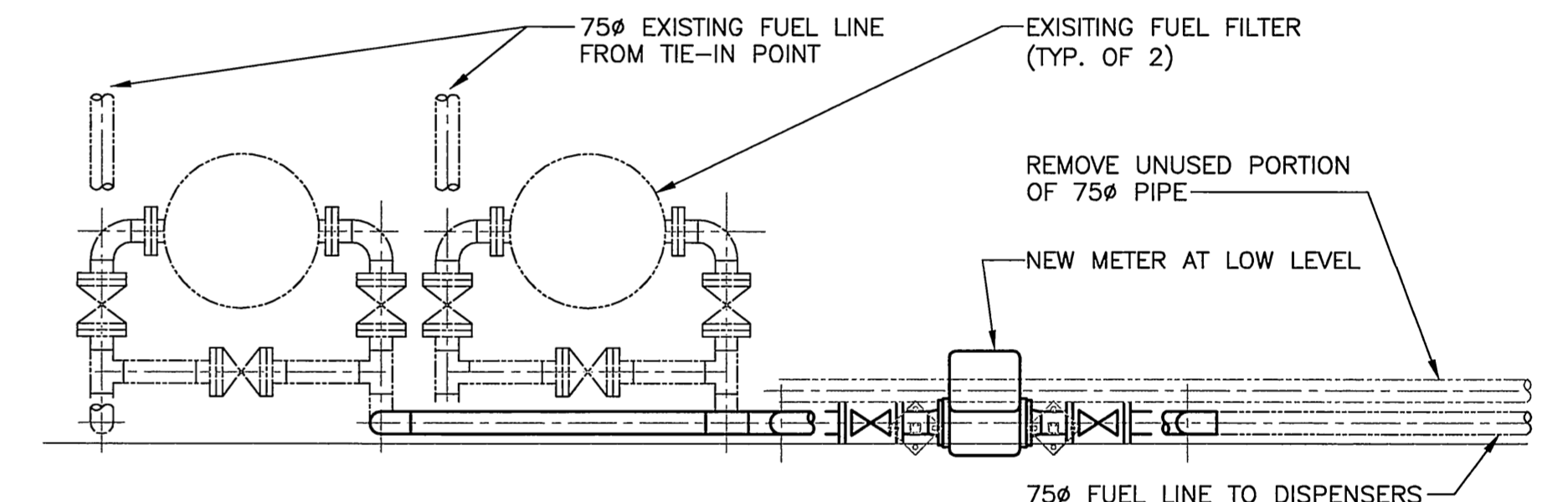
4 WASTE OIL STORAGE DETAIL
1:50



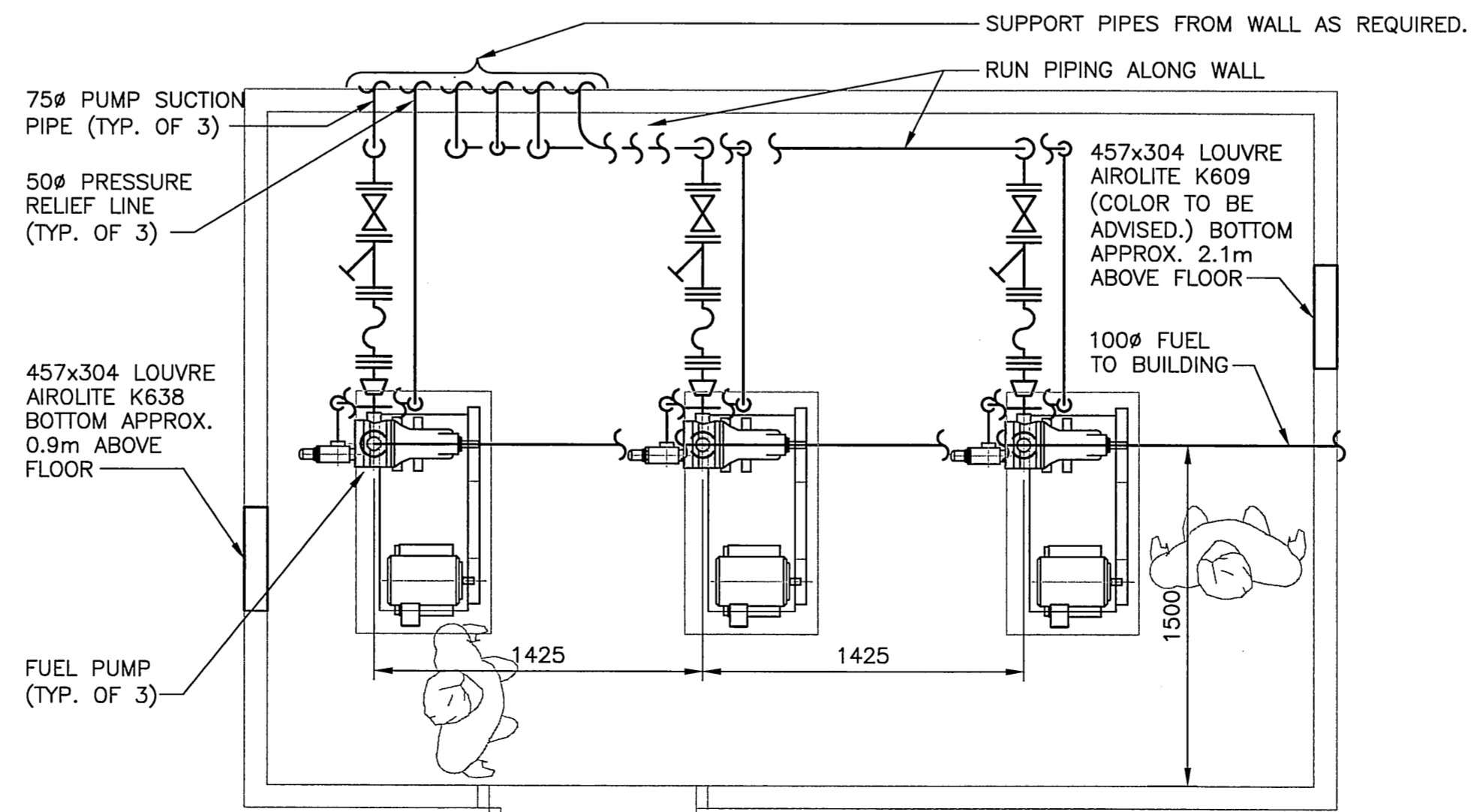
2 PARTIAL PLAN
1:200



3 PARTIAL PLAN
1:100



6 ENLARGED VIEW
1:25



5 PUMPHOUSE ENLARGED VIEW
1:25

NOTES:

- SEE DRAWING M0001 FOR LEGEND.
- BACKFILLING CONC. VAULTS/EXCAVATIONS
 - DEMOLISH ROOF OF VAULTS & DEMOLISH WALLS TO 0.3m BELOW GRADE
 - FOR CONC. VAULTS BREAK OPENING IN FLOOR FOR DRAINAGE (0.3m DIA. MIN.)
 - DISPOSE OF CONCRETE IN ACCORDANCE WITH CITY SPECIFICATION CW 1130-3.4 DISPOSAL OF MATERIALS
 - BACKFILL WITH CLASS 2 BACKFILL IN ACCORDANCE WITH CITY SPECIFICATION CW 2030 EXCAVATION, BEDDING AND BACKFILL-CONSTRUCTION METHODS TO A HEIGHT 0.4m BELOW FINISHED GRADE
- SURFACE RESTORATION
 - PLACE 0.3m OF 50mm MAX. AGG. IN ACCORDANCE WITH CITY SPECIFICATION CW 3110-SUB-GRADE, SUBBASE AND BASE COURSE CONSTRUCTION-CONSTRUCTION METHODS
 - PLACE 0.1m OF TYPE 1A ASPHALTIC CONCRETE PAVEMENT IN ACCORDANCE WITH CITY SPECIFICATION CW 3410-ASPHALTIC CONCRETE PAVEMENT WORKS-CONSTRUCTION METHODS (SAW CUT EXIST. PAVEMENT TO PROVIDE A STRAIGHT AND CLEAN EDGE TO PLACE THE NEW PAVEMENT AGAINST.)

NO.	DESCRIPTION	DATE	ISSUED BY
0	ISSUED FOR TENDER	07.04.05	LWS

REVISIONS/ISSUE

THE CONTENT OF THIS DOCUMENT IS NOT INTENDED FOR THE USE OF, NOR IS IT INTENDED TO BE RELIED UPON BY ANY PERSON, FIRM OR CORPORATION, OTHER THAN THE CLIENT AND WARDROP ENGINEERING INC. WARDROP ENGINEERING DENIES ANY LIABILITY WHATSOEVER TO OTHER PARTIES FOR DAMAGES OR INJURY SUFFERED BY SUCH THIRD PARTY ARISING FROM USE OF THIS DOCUMENT BY THEM, WITHOUT THE EXPRESS PRIOR WRITTEN AUTHORITY OF WARDROP ENGINEERING AND OUR CLIENT. THIS DOCUMENT IS SUBJECT TO FURTHER RESTRICTIONS IMPOSED BY THE CONTRACT BETWEEN THE CLIENT AND WARDROP ENGINEERING INC. AND THESE PARTIES' PERMISSION MUST BE SOUGHT REGARDING THIS DOCUMENT IN ALL OTHER CIRCUMSTANCES.

CITY OF WINNIPEG
TRANSIT DEPARTMENT

WARDROP Engineering Inc.

PROJECT NAME
PETROLEUM STORAGE AND HANDLING SYSTEMS REPLACEMENT

DRAWING DESCRIPTION
OSBORNE STREET GARAGE MECHANICAL - PLANS AND DETAILS

DESIGNED BY: L.S.	DRAWN BY: D.D.	CHECKED BY:
APPROVED BY:		
SCALE: AS NOTED	DATE: 07.01.15	REV.
DRAWING NO. 072920100-DWG-M0004	REV. 0	

