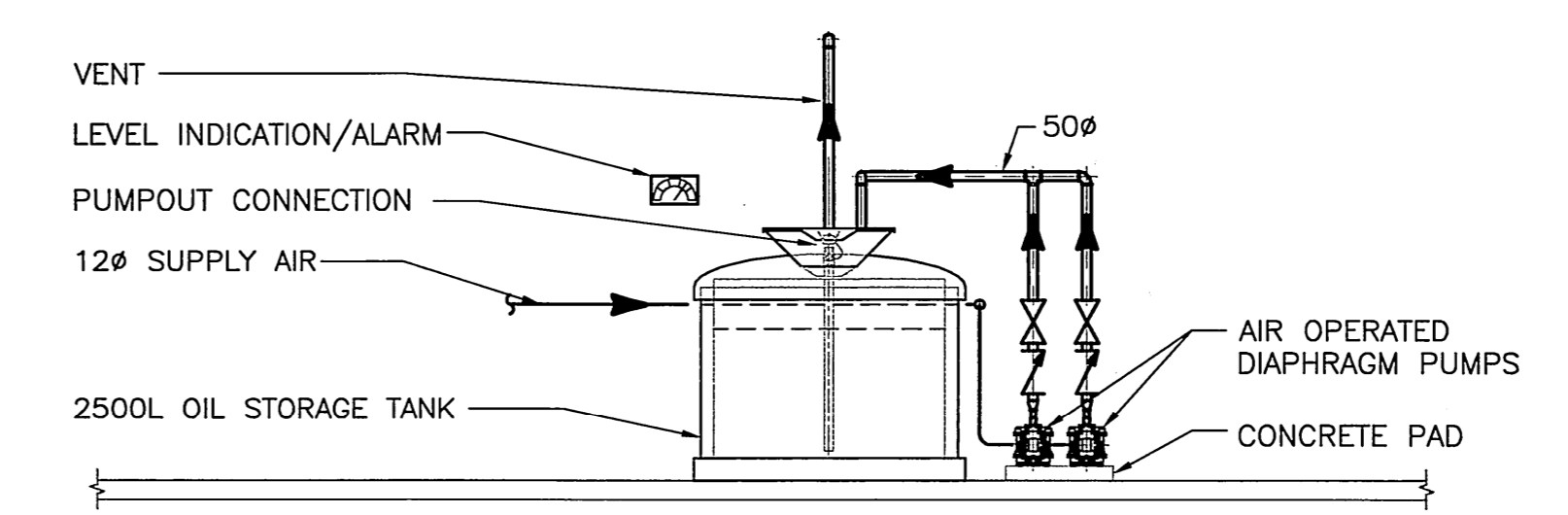


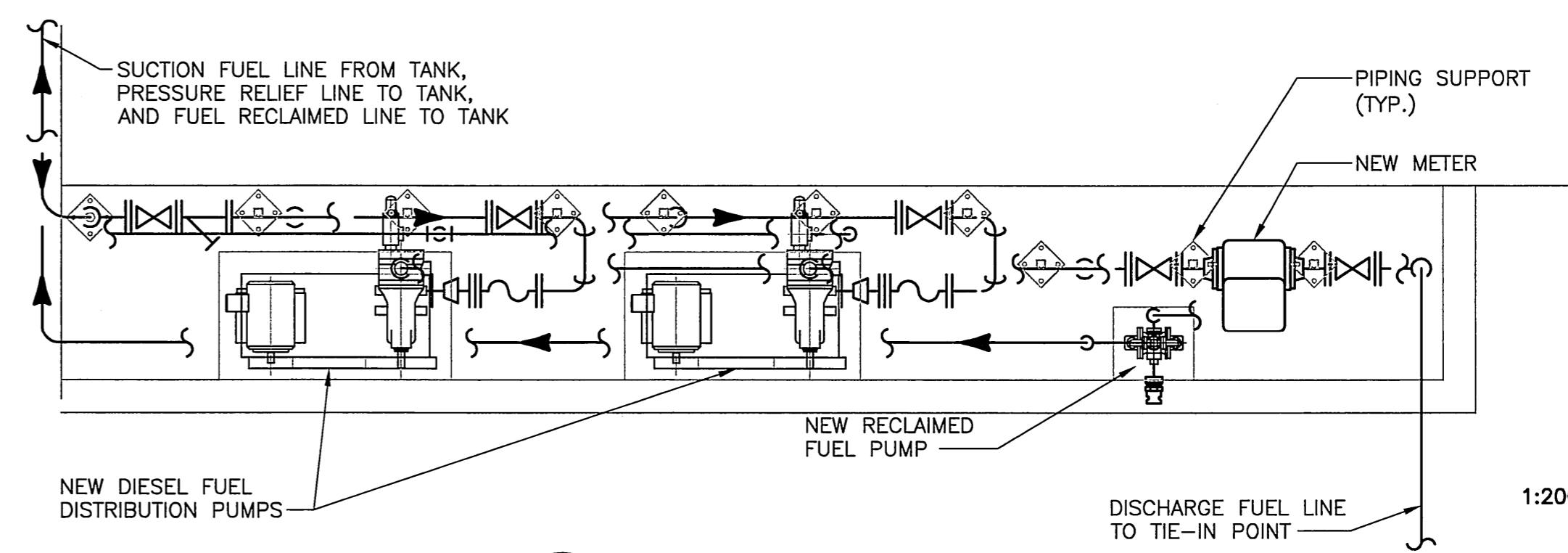
- EXISTING 6.7m x 3.4m x 2.7m DEEP CONC. VAULTS (4 OF) TO REMAIN
- DEMOLISH ROOF OF VAULTS & DEMOLISH WALLS TO 0.3m BELOW GRADE
- BREAK OPENING THROUGH VAULT FLOOR FOR DRAINAGE (0.3m DIA. MIN.) DISPOSE OF CONC. IN ACCORDANCE WITH CITY SPECIFICATION CW 1130-3.4 "DISPOSAL OF MATERIALS"
- BACKFILL VAULTS WITH CLASS 2 BACKFILL IN ACCORDANCE WITH CITY SPECIFICATION CW 2030 CONSTRUCTION METHODS TO A HEIGHT 0.4m BELOW FINISHED GRADE
- PLACE 0.3m OF 50mm MAX. AGG. IN ACCORDANCE WITH CITY SPECIFICATION CW 3110-SUB-GRADE, SUB-BASE AND BASE COURSE CONSTRUCTION-CONSTRUCTION METHODS
- PLACE 0.1m OF TYPE 1A ASPHALTIC CONC. PAVEMENT IN ACCORDANCE WITH CITY SPECIFICATION CW 3410-ASPHALTIC CONCRETE PAVEMENT WORKS (SAW CUT EXIST. ASPHALT PAVEMENT TO PROVIDE A STRAIGHT AND CLEAN EDGE TO PLACE THE NEW PAVEMENT AGAINST)

EXISTING PUMPHOUSES TO BE DEMOLISHED. AREA AFFECTED BY PUMPHOUSE REMOVAL TO BE REPAVED. PLACE 0.3m OF 50mm MAX. AGG. IN ACCORDANCE WITH CITY SPECIFICATION CW 3110-SUB-GRADE, SUB-BASE AND BASE COURSE CONSTRUCTION TO A HEIGHT 0.1m BELOW FINISHED GRADE. PLACE 0.1m OF TYPE 1A ASPHALTIC CONC. PAVEMENT IN ACCORDANCE WITH CITY SPECIFICATION CW 3410-ASPHALTIC CONCRETE PAVEMENT WORKS. (SAW CUT EXIST. ASPHALT PAVEMENT TO PROVIDE A STRAIGHT AND CLEAN EDGE TO PLACE THE NEW PAVEMENT AGAINST)

1 PLAN
1:200

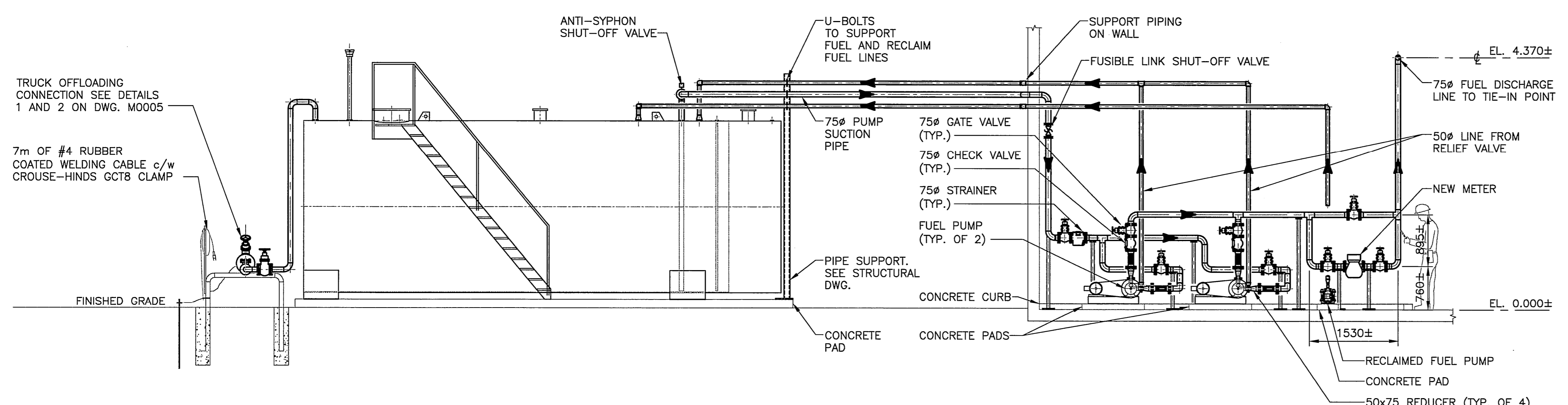
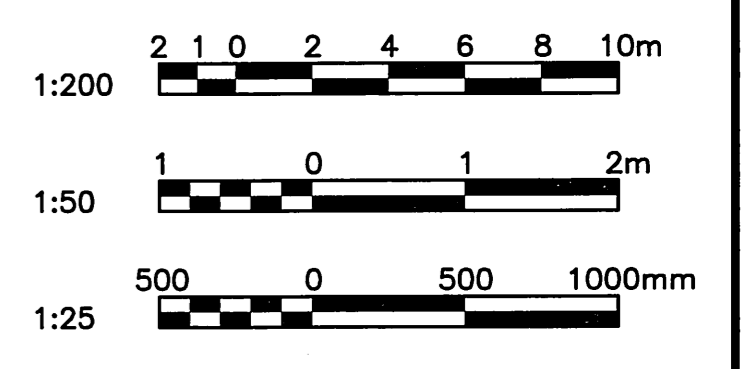


3 WASTE OIL STORAGE DETAIL
1:50



4 ENLARGED VIEW
1:25

NOTES:
SEE DRAWING M0001 FOR LEGEND



2 SECTION
1:50

0	ISSUED FOR TENDER	07.04.05	LWS
NO.	DESCRIPTION	DATE	ISSUED BY
REVISIONS/ISSUE			
<small>THE CONTENT OF THIS DOCUMENT IS NOT INTENDED FOR THE USE OF, NOR IS IT INTENDED TO BE RELIED UPON BY ANY PERSON, FIRM OR CORPORATION, OTHER THAN THE CLIENT AND WARDROP ENGINEERING INC. WARDROP ENGINEERING DENIES ANY LIABILITY WHATSOEVER TO OTHER PARTIES FOR DAMAGES OR INJURY SUFFERED BY SUCH THIRD PARTY ARISING FROM USE OF THIS DOCUMENT BY THEM, WITHOUT THE EXPRESS PRIOR WRITTEN AUTHORITY OF WARDROP ENGINEERING AND OUR CLIENT. THIS DOCUMENT IS SUBJECT TO FURTHER RESTRICTIONS IMPOSED BY THE CONTRACT BETWEEN THE CLIENT AND WARDROP ENGINEERING INC. AND THESE PARTIES' PERMISSION MUST BE SOUGHT REGARDING THIS DOCUMENT IN ALL OTHER CIRCUMSTANCES.</small>			
CLIENT			
CITY OF WINNIPEG TRANSIT DEPARTMENT			
WARDROP Engineering Inc.			
PROJECT NAME			
PETROLEUM STORAGE AND HANDLING SYSTEMS REPLACEMENT			
DRAWING DESCRIPTION			
MAIN STREET FACILITY MECHANICAL - PLAN AND DETAILS			
DESIGNED BY:	DRAWN BY:	CHECKED BY:	
L.S.	D.D.		
APPROVED BY:			
SCALE:	DATE:		
AS NOTED	07.01.15		
DRAWING NO.	REV.		
0729720100-DWG-M0002	0		

