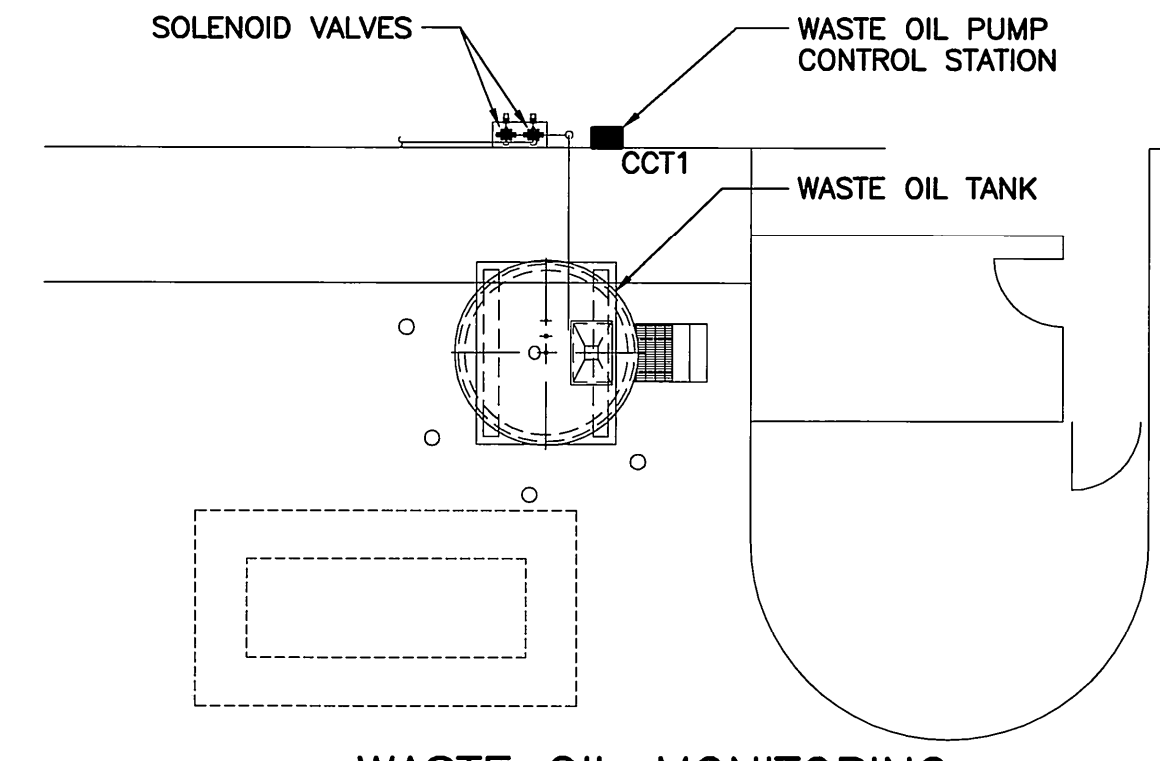
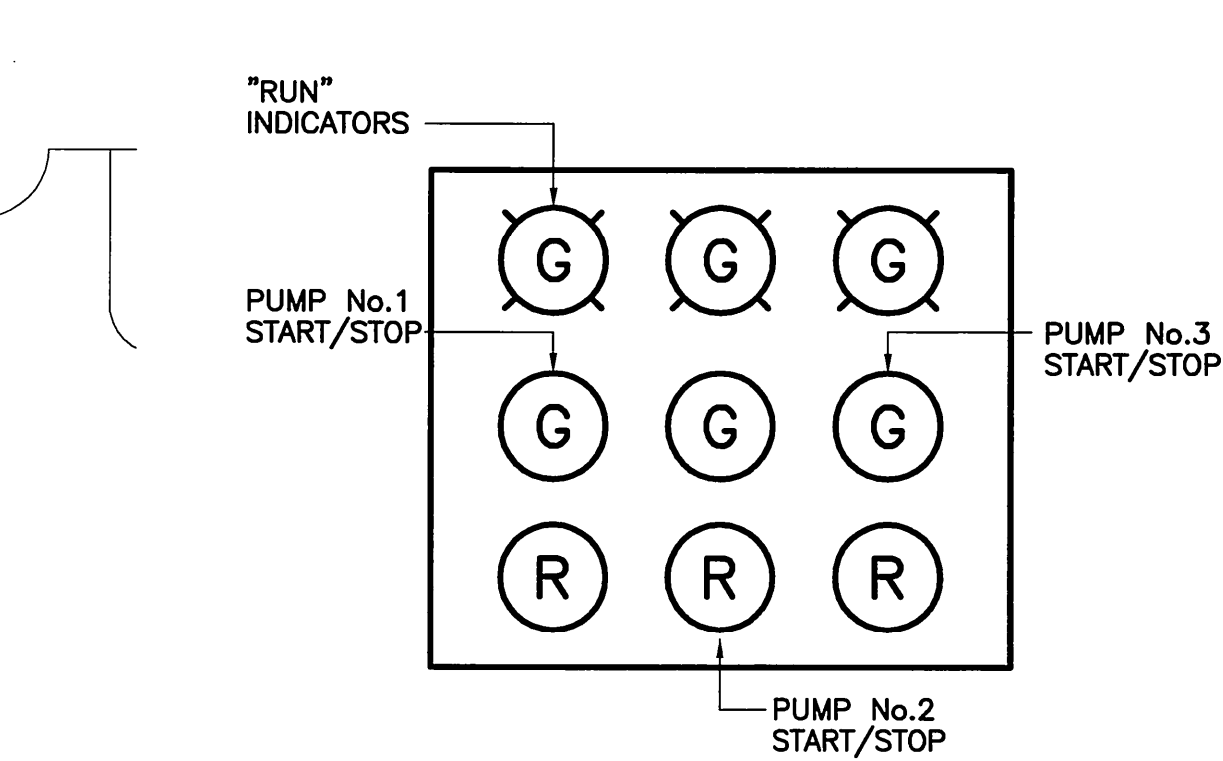


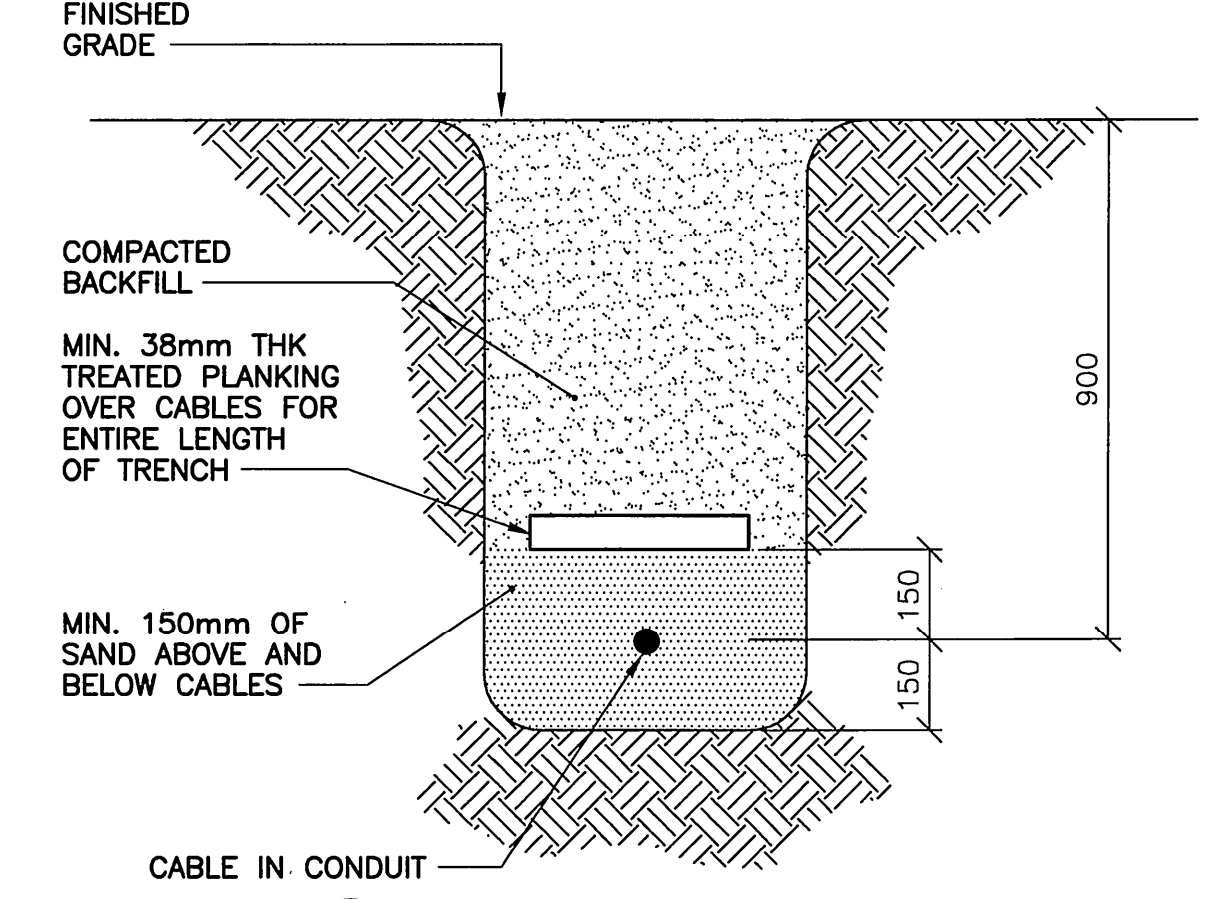
1 ELECTRICAL LAYOUT - 421 OSBORNE ST. FACILITY
N.T.S.



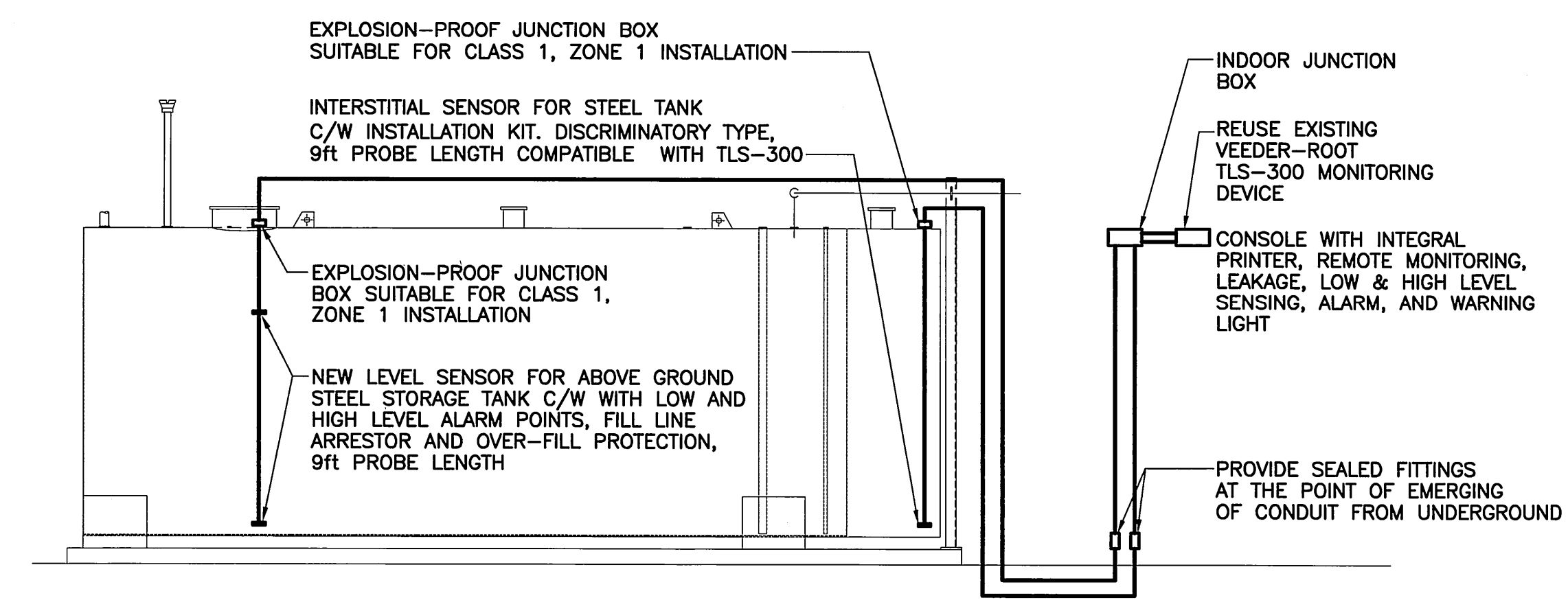
2 WASTE OIL MONITORING PARTIAL PLAN
N.T.S.
NOTES:
1. CCT1 - NEW MATCHING 15A-1P CIRCUIT BREAKER IN NEAREST AVAILABLE 120/208V PANEL. MODIFY EXISTING PANEL AS REQUIRED TO ACCOMMODATE NEW BREAKER.



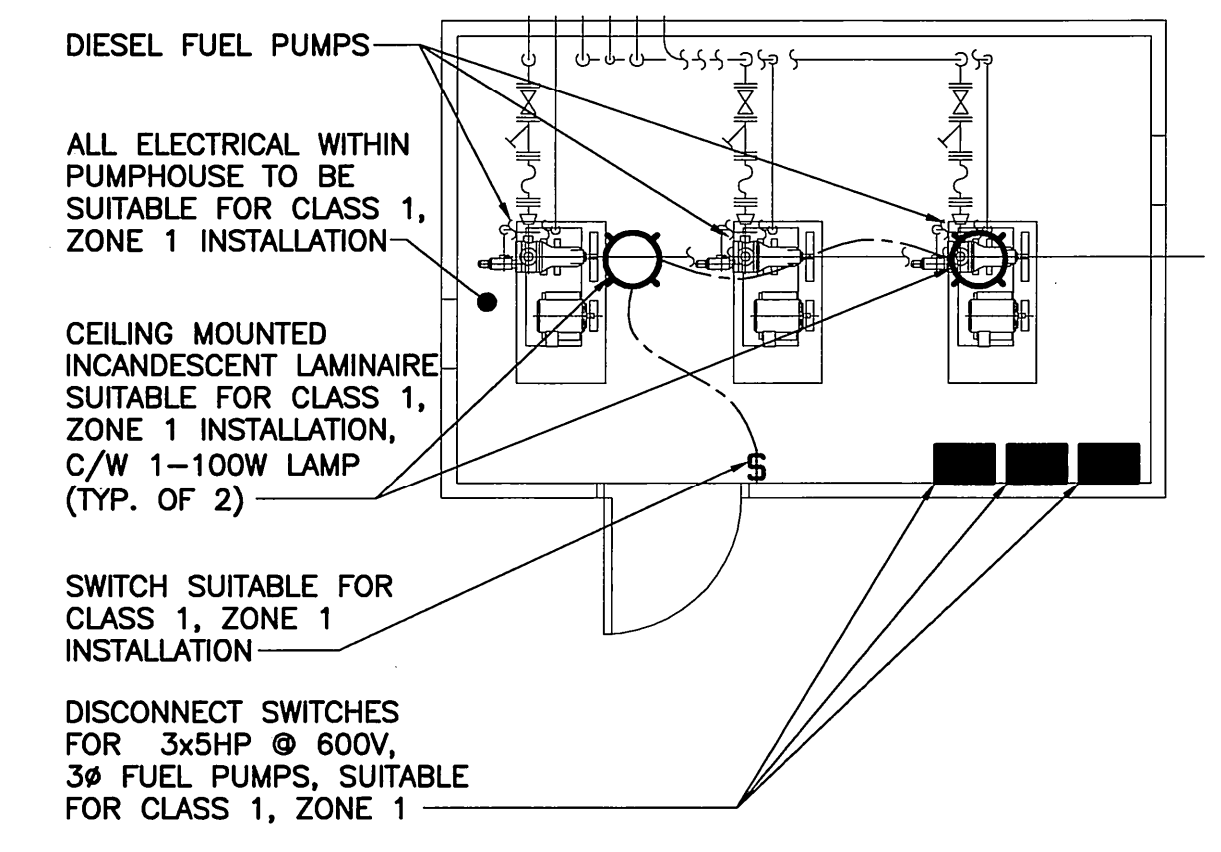
5 DIESEL FUEL START/STOP STATION DETAIL
N.T.S.



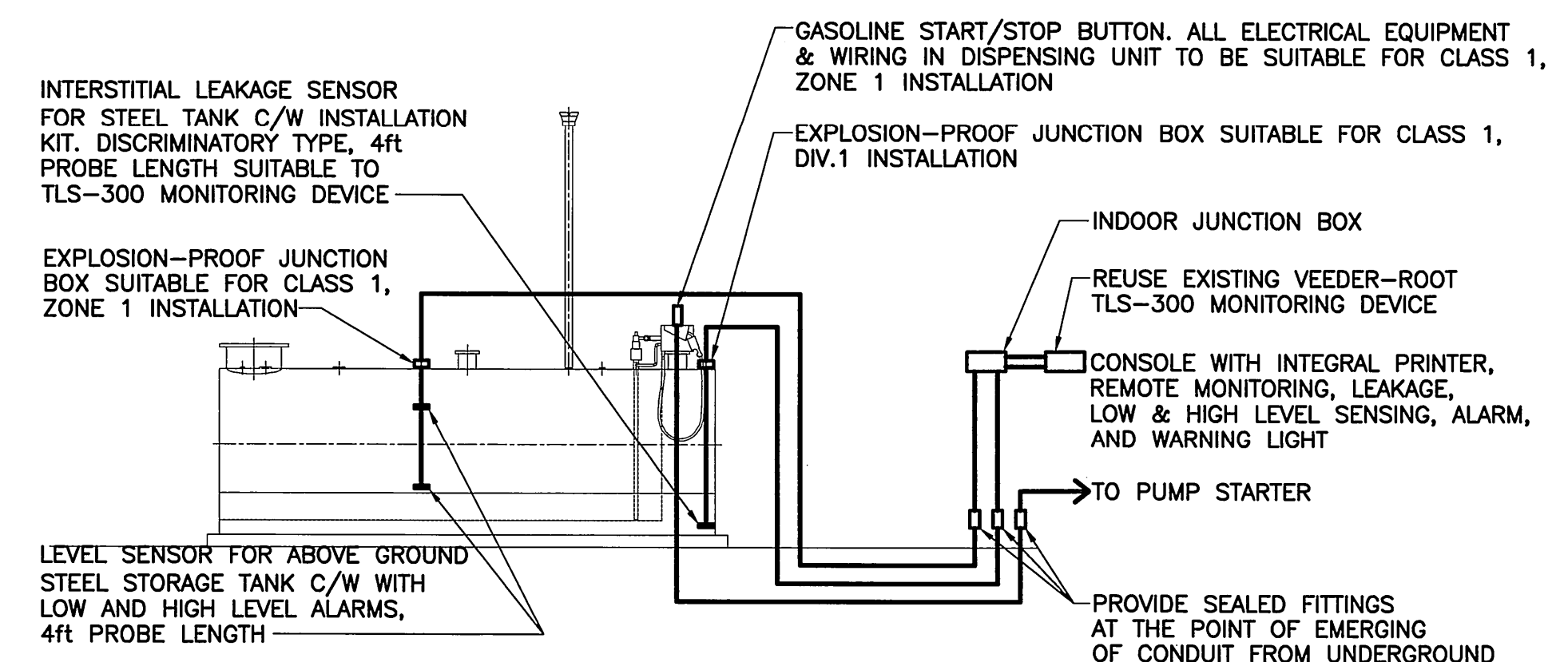
6 TRENCH DETAIL
N.T.S.



3 DIESEL FUEL TANK LEVEL SENSOR/PROBE SCHEMATIC DETAIL
N.T.S.



7 PUMPHOUSE DETAIL
N.T.S.



4 GASOLINE FUEL TANK LEVEL SENSOR/PROBE SCHEMATIC DETAIL
N.T.S.

0	ISSUED FOR TENDER	07.04.05	S.N.
NO.	DESCRIPTION	DATE	ISSUED BY

REVISIONS/ISSUE
THE CONTENT OF THIS DOCUMENT IS NOT INTENDED FOR THE USE OF, NOR IS IT INTENDED TO BE RELIED UPON BY ANY PERSON, FIRM OR CORPORATION, OTHER THAN THE CLIENT AND WARDROP ENGINEERING INC. WARDROP ENGINEERING DENIES ANY LIABILITY WHATSOEVER TO OTHER PARTIES FOR DAMAGES OR INJURY SUFFERED BY SUCH THIRD PARTY ARISING FROM USE OF THIS DOCUMENT BY THEM, WITHOUT THE EXPRESS PRIOR WRITTEN AUTHORITY OF WARDROP ENGINEERING AND OUR CLIENT. THIS DOCUMENT IS SUBJECT TO FURTHER RESTRICTIONS IMPOSED BY THE CONTRACT BETWEEN THE CLIENT AND WARDROP ENGINEERING INC. AND THESE PARTIES' PERMISSION MUST BE SOUGHT REGARDING THIS DOCUMENT IN ALL OTHER CIRCUMSTANCES.

CLIENT
**CITY OF WINNIPEG
TRANSIT DEPARTMENT**

WARDROP | Engineering Inc.

PROJECT NAME
PETROLEUM STORAGE AND HANDLING SYSTEMS REPLACEMENT

DRAWING DESCRIPTION
TYPICAL ELECTRICAL EQUIPMENT LAYOUT & SCHEMATIC DETAILS @ 421 OSBORNE FACILITY

DESIGNED BY: S.N.	DRAWN BY: H.P.C.C.	CHECKED BY:
APPROVED BY:		
SCALE: N.T.S.	DATE: 07.02.28	
DRAWING NO. 0729720100-DWG-E0001	REV. 0	

