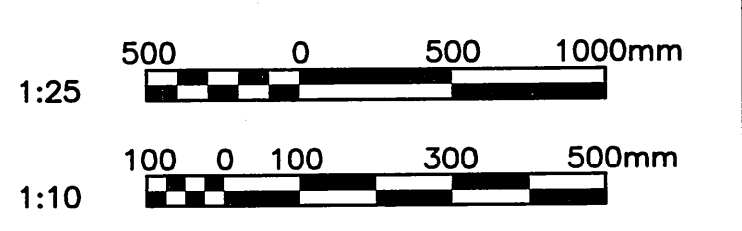
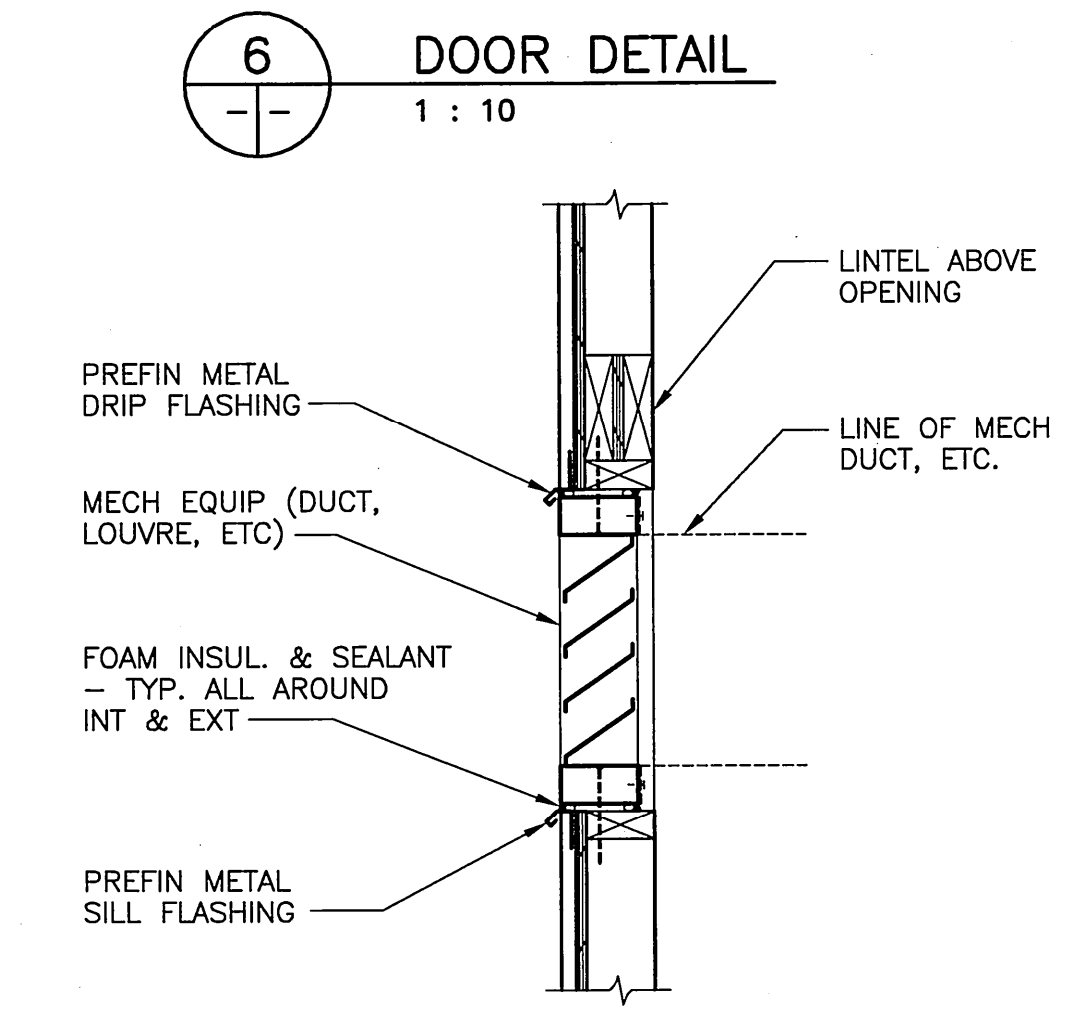
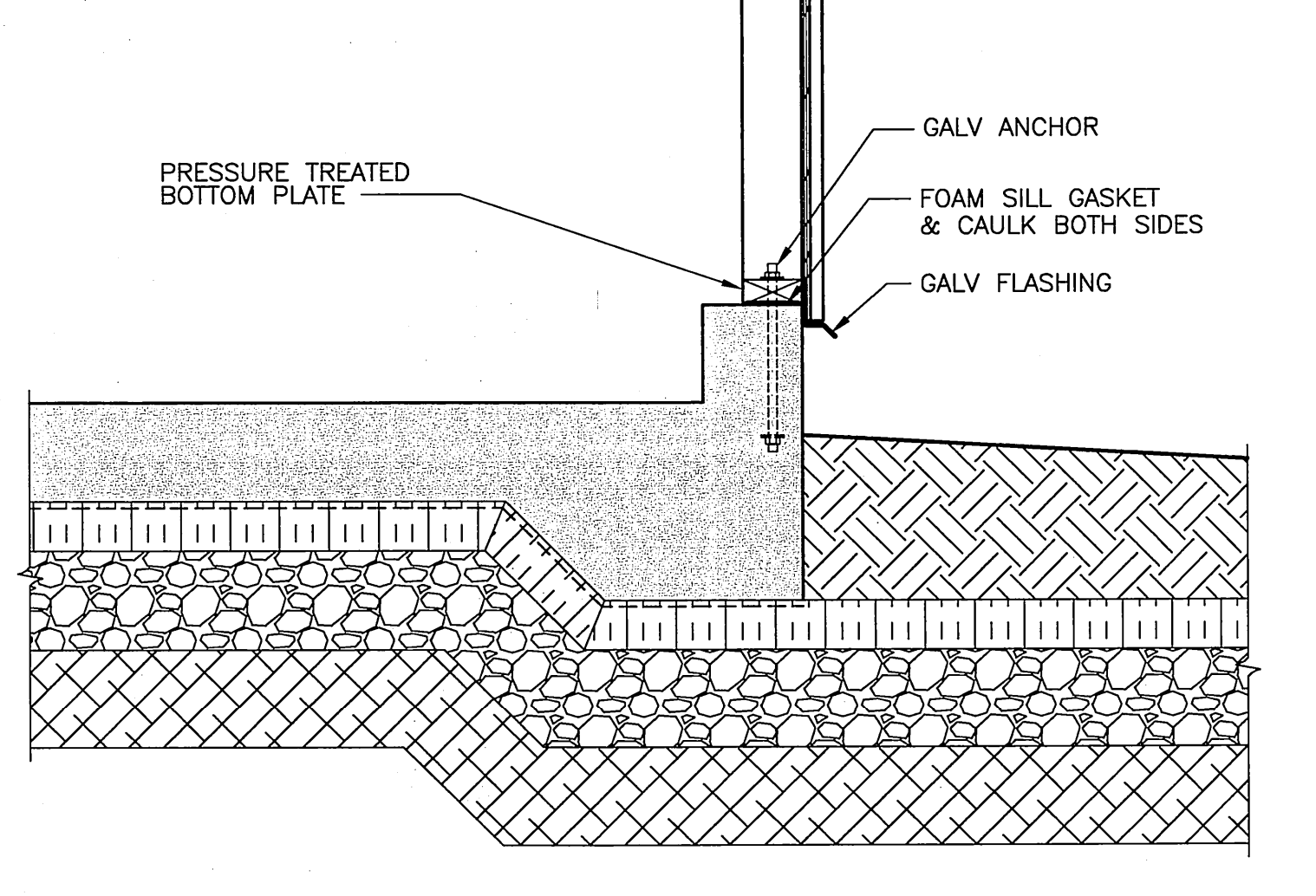
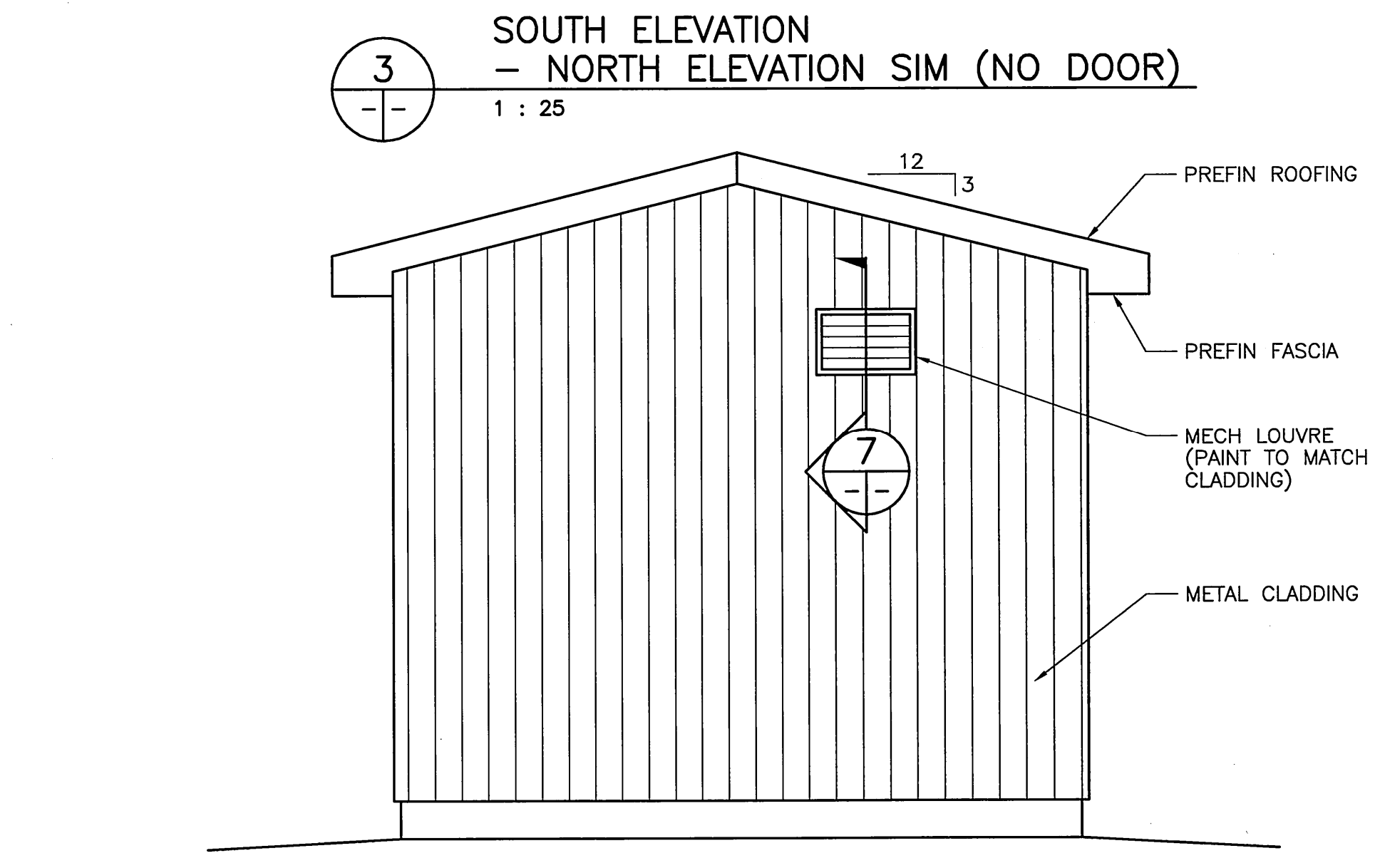
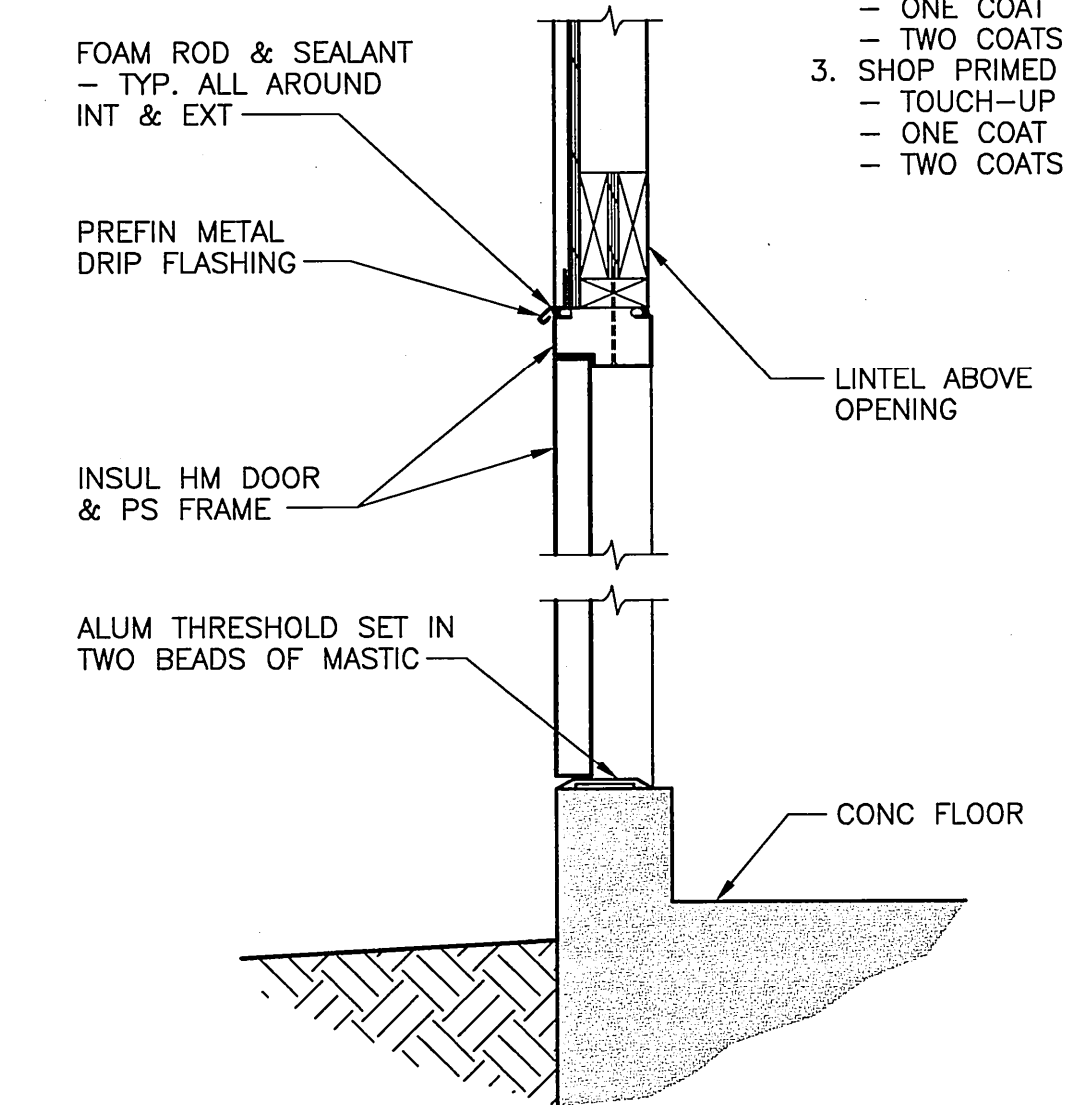
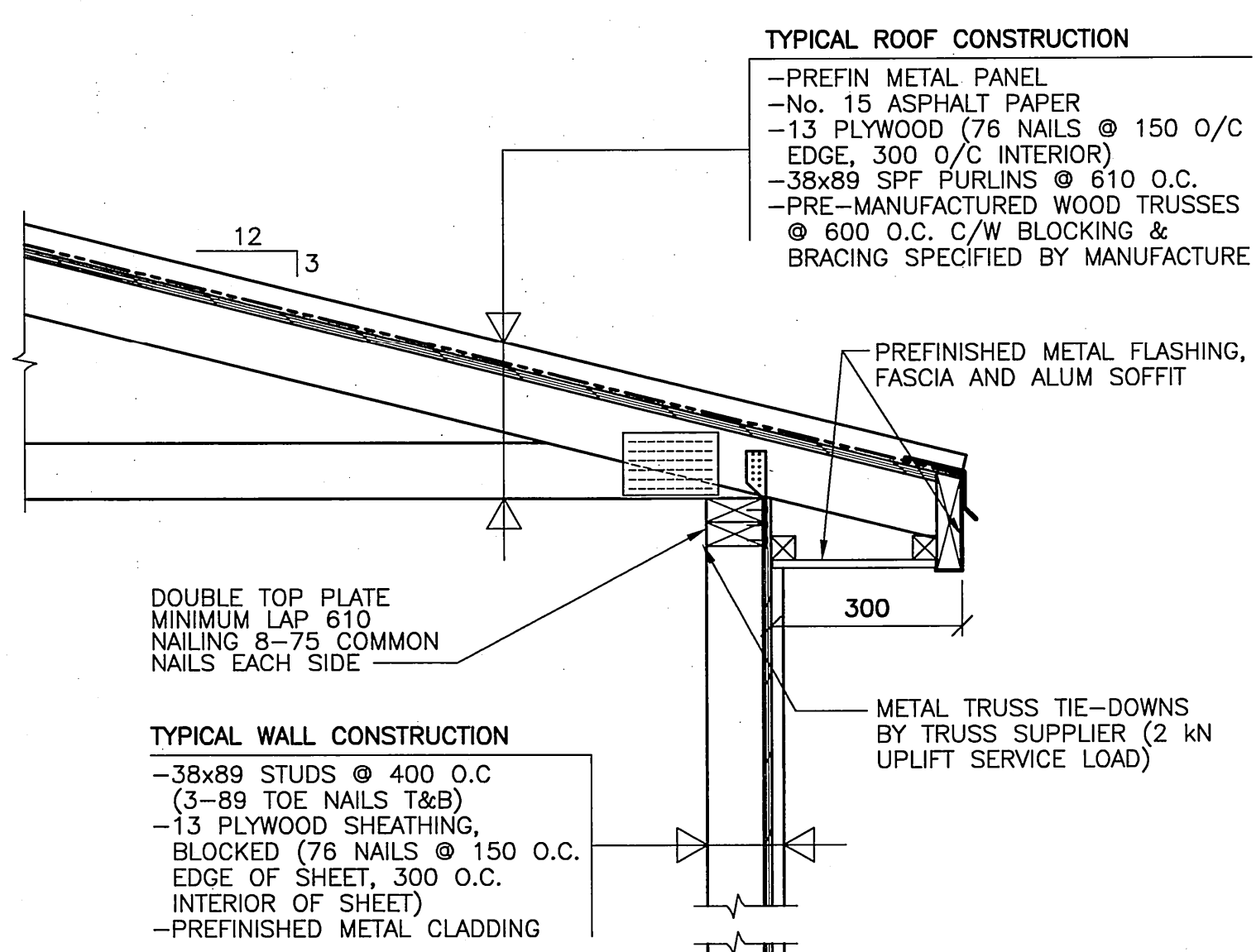
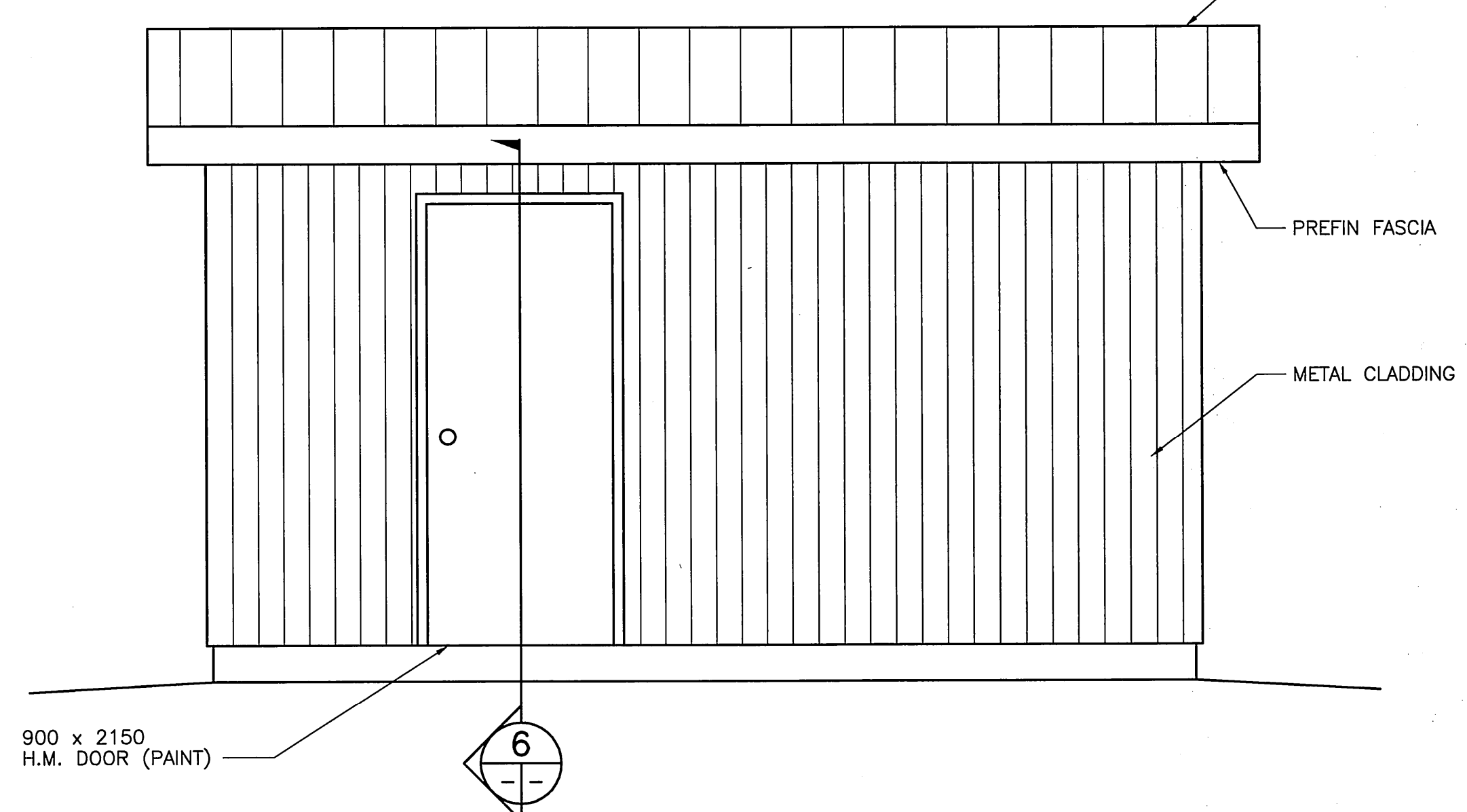


- BUILDING SPECIFICATIONS:**
- ROOF SYSTEM:**
 - METAL ROOFING:** PREFINISHED STANDING SEAM METAL ROOF C/W SUPPORT BRACKETS & FLASHING. MINIMUM BASE METAL THICKNESS 0.76mm (22 GA), Z275 GALVANIZED.
 - ACCEPTABLE PRODUCTS: VIC WEST "MARQUIS" ROOFING
 - COLOUR: TO BE SELECTED BY OWNER FROM MANUFACTURER'S STANDARD COLOUR RANGE.
 - UNDERLAYMENT:** No. 15 PLAIN ASPHALT FELT TO ASTM D4869 TYPE 1, AND CGSB CAN2-51.32-M.
 - SOFFIT PANELS:** PREFINISHED ALUMINUM SOFFIT PANELS, 400 MM WIDE IN TWO OR THREE PANEL DESIGN, C/W TRIM ANGLES. WHITE COLOUR.
 - WALL SYSTEM:**
 - METAL CLADDING:** PREFINISHED, PROFILED METAL CLADDING, TRIMS AND FLASHINGS MINIMUM BASE METAL THICKNESS 0.76mm (22 GA), Z275 GALVANIZED.
 - ACCEPTABLE PRODUCTS: VIC WEST "DIAMOND RIB"
 - COLOUR: TO BE SELECTED BY OWNER FROM MANUFACTURER'S STANDARD COLOUR RANGE.
 - BUILDING WRAP:** ACCEPTABLE PRODUCTS: DUPONT "TYVEK" OR APPROVED SUBSTITUTION.
 - SEALANTS:**
 - MULTICOMPONENT URETHANES - CONCRETE.**
 - ACCEPTABLE PRODUCTS: TREMCO DYMERIC OR APPROVED SUBSTITUTION.
 - COLOUR TO MATCH ADJACENT MATERIALS.
 - ONE-PART SILICONES - METAL ROOF SIDING AND TRIMS.**
 - ACCEPTABLE PRODUCTS: DOW CORNING 795, GE SILPRUF, TREMCO SPECTRUM 2.
 - COLOUR TO MATCH ADJACENT MATERIALS.
 - BUTYL SEALANT - SETTING OF ALUMINUM THRESHOLD.**
 - ACCEPTABLE PRODUCTS: TREMCO BUTYL SEALANT OR APPROVED SUBSTITUTION.
 - STEEL DOORS & FRAMES:**
 - STEEL:** COMMERCIAL GRADE TO ASTM A568-81, CLASS 1, HOT-DIPPED GALVANIZED TO ASTM A527-80, COATING DESIGNATION TO ASTM A525-81, Z275.
 - FRAMES: 125mm(5") x 1.52mm (16 GA) BASE THICKNESS, FULLY WELDED CONSTRUCTION.
 - DOORS: 1.21mm (18 GA) BASE THICKNESS, FULLY WELDED CONSTRUCTION.
 - HARDWARE:**

DOOR 101 (EXTERIOR - SINGLE DOOR)			
HINGES	CB191 114 x 101 NRP	630	STANLEY
PASSAGE SET	D105 RHO	626	SCHLAGE
DEADBOLT	BB60	626	SCHLAGE
DOOR STOP/HOLDER	F26	26D	GLYNN-JOHNSON
THRESHOLD	CT-11		K.N. CROWDER
WEATHERSTRIP	W13		K.N. CROWDER
 - PAINT SURFACES AS FOLLOWS:**
 - COLOURS TO BE SELECTED.
 - INTERIOR GALVANIZED AND ZINC COATED METAL:**
 - ONE COAT CEMENTITIOUS PRIMER CAN/CGSB-1.198
 - TWO COATS SEMI-GLOSS ENAMEL CAN/CGSB-1.57
 - EXTERIOR GALVANIZED AND ZINC COATED METAL:**
 - ONE COAT CEMENTITIOUS PRIMER CAN/CGSB-1.198
 - TWO COATS ALKYD GLOSS ENAMEL CAN/CGSB-1.59
 - SHOP PRIMED OR BARE FERROUS METAL:**
 - TOUCH-UP SHOP PRIMER WITH PRIMER AS PROVIDED BY FABRICATOR
 - ONE COAT MARINE ALKYD METAL PRIMER CGSB 1-GP-48M
 - TWO COATS ALKYD SEMI-GLOSS ENAMEL CAN/CGSB-1.59



0	ISSUED FOR TENDER	07.04.05	JWS
NO.	DESCRIPTION	DATE	ISSUED BY
REVISIONS/ISSUE			
THE CONTENT OF THIS DOCUMENT IS NOT INTENDED FOR THE USE OF, NOR IS IT INTENDED TO BE RELIED UPON BY ANY PERSON, FIRM OR CORPORATION, OTHER THAN THE CLIENT AND WARDROP ENGINEERING INC. WARDROP ENGINEERING INC. ACCEPTS NO LIABILITY WHATSOEVER TO OTHER PARTIES FOR DAMAGES OR INJURY SUFFERED BY SUCH THIRD PARTY ARISING FROM USE OF THIS DOCUMENT BY THEM, WITHOUT THE EXPRESS PRIOR WRITTEN AUTHORITY OF WARDROP ENGINEERING AND OUR CLIENT. THIS DOCUMENT IS SUBJECT TO FURTHER RESTRICTIONS IMPOSED BY THE CONTRACT BETWEEN THE CLIENT AND WARDROP ENGINEERING INC. AND THESE PARTIES' PERMISSION MUST BE SOUGHT REGARDING THIS DOCUMENT IN ALL OTHER CIRCUMSTANCES.			
CLIENT CITY OF WINNIPEG TRANSIT DEPARTMENT			
WARDROP Engineering Inc.			
PROJECT NAME PETROLEUM STORAGE AND HANDLING SYSTEMS REPLACEMENT			
DRAWING DESCRIPTION OSBORNE STREET GARAGE PUMP HOUSE PLAN, ELEVATIONS, SECTIONS AND DETAILS			
DESIGNED BY: D.L.P.	DRAWN BY: E.V.	CHECKED BY: JWS	APPROVED BY:
SCALE: AS NOTED	DATE: 07.03.20		
DRAWING NO. 072920100-DWG-B0001	REV. 0		

