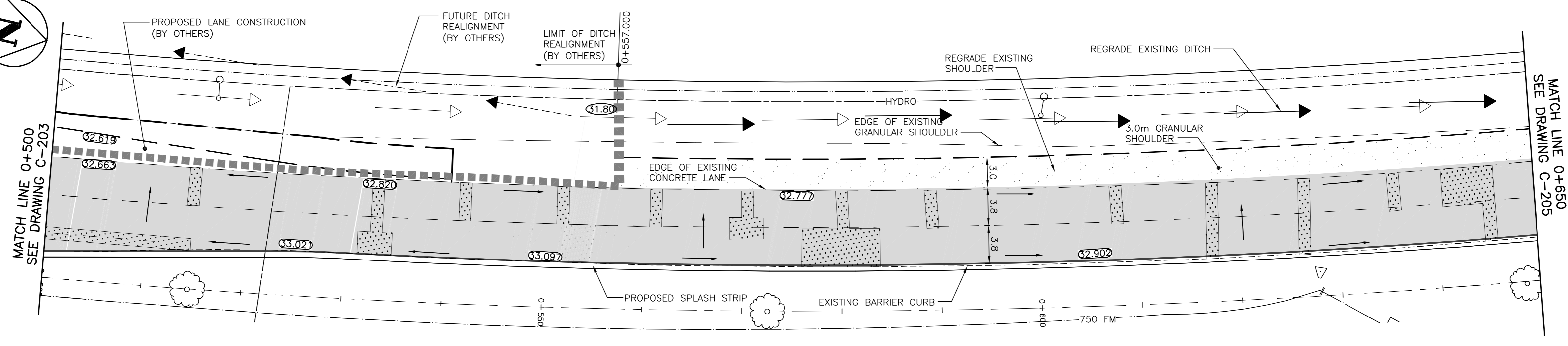
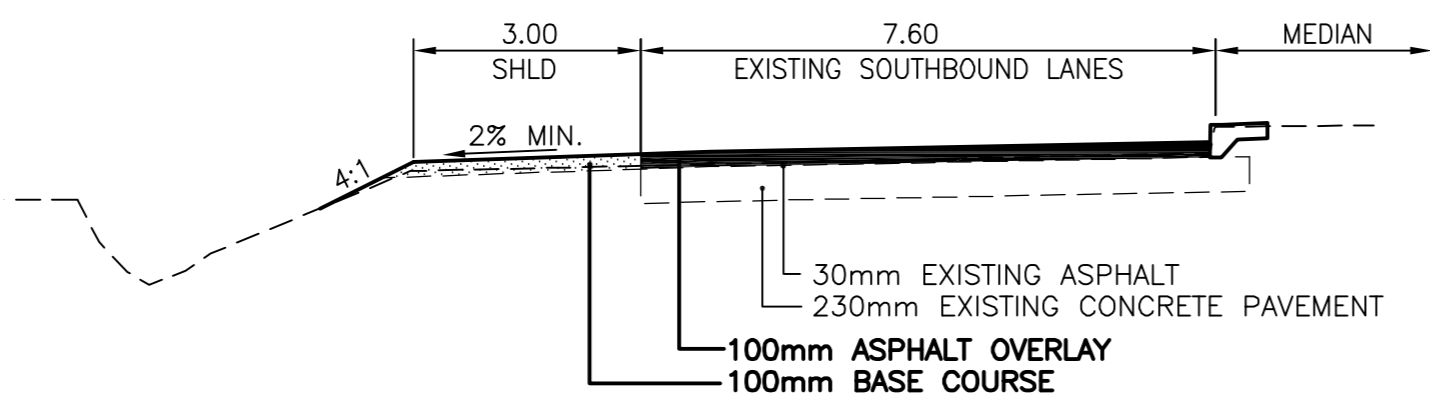


NOTE:
STATIONING ALONG
CENTRELINE OF WAVERLEY
STREET RIGHT-OF-WAY.

WAVERLEY STREET – SOUTHBOUND



WARNING
IF POWER EQUIPMENT OR EXPLOSIVES ARE TO BE USED FOR EXCAVATION ON THIS PROJECT THE CONTRACTOR MUST:
1) NOTIFY THE GAS COMPANY OF THE PROPOSED LOCATION OF EXCAVATION.
2) TAKE PRECAUTION TO AVOID DAMAGE TO GAS COMPANY INSTALLATIONS.
SEE PROVINCIAL REGULATION 140/92 FOR DETAILS



**TYPICAL PAVEMENT SECTION
SOUTHBOUND LANES**

BENCH MARK: 217 (654217) - E. shoulder of gravel Two-Mile Rd. (formerly Waverley St.) & drain S. of Sugarbeet spur line, 3rd set of hydro poles S. of Conc. new Waverley St., Tbt. in 7.6m Conc. pile, 57.3m S. of hydro poles & 8.3m W. of line most W. set of hydro poles.

EXISTING	LEGEND-PLAN	PROPOSED	EXISTING	LEGEND-PLAN	PROPOSED	EXISTING	LEGEND-PROFILE	PROPOSED
150 WM	FEEDER MAIN	750 FM	HYDRO	150 WM	WATER MAIN	150 WM	LOCATION APPROVED UNDERGROUND STRUCTURES	
750 FM	WATER MAIN	150 WM	M.T.S.		HYDRANT VALVE			
+	HYDRANT		CONCRETE	300 LBS	LAND DRAINAGE SEWER	300 LBS		
○	VALVE		ASPHALT	250 WWS	WASTE WATER SEWER	250 WWS		
◻	CATCH BASIN		SIDEWALK	X	Q PROFILE			
◻	CURB INLET		PROPERTY LINE		NORTH OR WEST GUTTER			
+	JUNCTIONS	+	SURVEY BAR		SOUTH OR EAST GUTTER			
--- ---	CULVERT	(31.334)	DITCH	◊	NORTH OR WEST R.			
---	GAS		ELEVATION	(32.233)	SOUTH OR EAST R.			
---	SPLASH STRIP		SIDEWALK RAMP	△	NORTH OR WEST DITCH			
---	BARRIER CURB	(31.334)	DITCH ELEVATION	<1.2D	SOUTH OR EAST DITCH			
---	LEGEND-PLAN	PROPOSED	LEGEND-PLAN	PROPOSED	EXISTING	LEGEND-PROFILE	PROPOSED	

LOCATION APPROVED UNDERGROUND STRUCTURES

SUPV. U/G STRUCTURES COMMITTEE DATE

NOTE: LOCATION OF UNDERGROUND STRUCTURES AS SHOWN ARE BASED ON THE BEST INFORMATION AVAILABLE BUT NO GUARANTEE IS GIVEN THAT ALL EXISTING UTILITIES ARE SHOWN OR THAT THE GIVEN LOCATIONS ARE EXACT. CONFIRMATION OF EXISTENCE AND EXACT LOCATION OF ALL SERVICES MUST BE OBTAINED FROM THE INDIVIDUAL UTILITIES BEFORE PROCEEDING WITH CONSTRUCTION.

B.M.	75-005	ELEV.	232.818 m
NO.	REVISIONS	DATE	BY

Stantec Consulting Ltd.
905 Waverley Street, Winnipeg, Manitoba
Tel 204-489-5900 Fax 204-453-9012

DESIGNED BY	W.K.B.	CHECKED BY	V.M.M.
DRAWN BY	T.G.	APPROVED BY	W.K.B.
HOR. SCALE: 1:250		RELEASED FOR CONSTRUCTION:	
VERTICAL: 1:10		DATE	



THE CITY OF WINNIPEG
Winnipeg TRANSPORTATION ENGINEERING DIVISION

WAVERLEY STREET-SOUTHBOUND
BISON DRIVE TO BISHOP GRANDIN BOULEVARD
STA. 0+500 TO STA. 0+650
2007 REGIONAL STREETS PROGRAM

SHEET 5 OF 15
CAD FILE DRAWING NUMBER 04580c-201-685.dwg
CITY DRAWING NUMBER P-3276-5

CONSULTANT DRAWING NO. C-204

N:\1\17\win\1\7\17\4580\c\201\685\DWG\04580c-201-685.dwg
2007-03-27 02:59PM by: sgpl