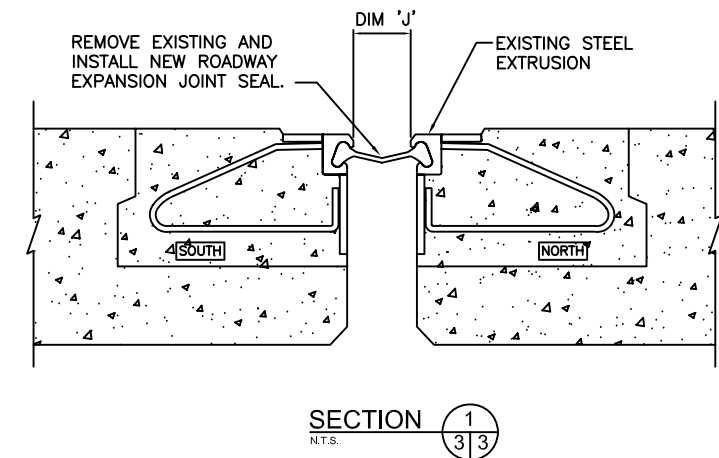
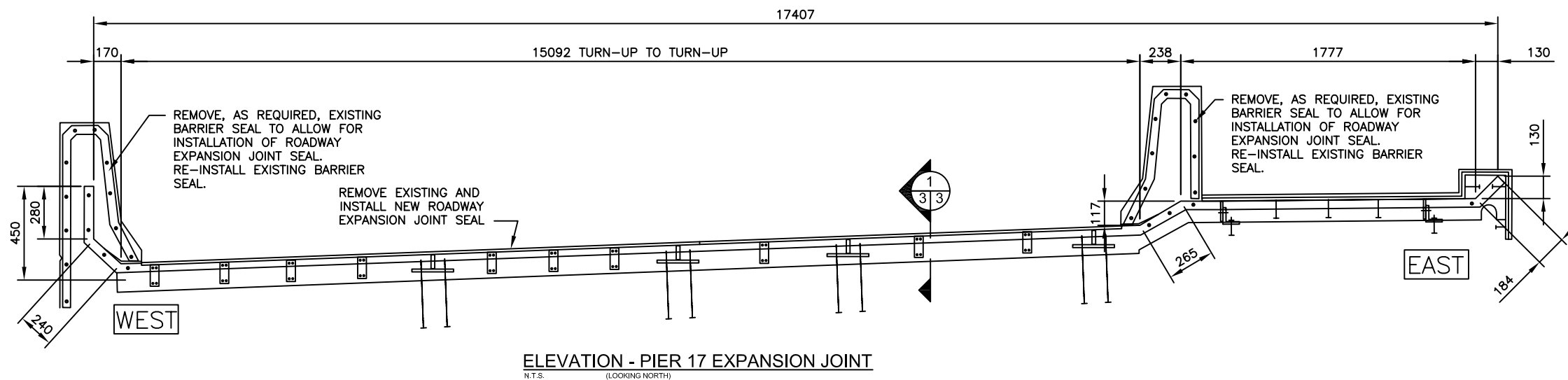


ELEVATION - PIER 2 EXPANSION JOINT
N.T.S. (LOOKING NORTH)



SECTION 1
N.T.S. 3 3



ELEVATION - PIER 17 EXPANSION JOINT
N.T.S. (LOOKING NORTH)

NOTES:

1. ORIGINAL SEAL: ELASTOMETAL ACME PS-57 STRIP SEAL.
2. NEW SEAL: BASF WATSON BOWMAN ACME SA400.
3. EACH EXPANSION JOINT STRIP SEAL SHALL BE INSTALLED AS ONE CONTINUOUS PIECE, TO THE SATISFACTION OF THE CONTRACT ADMINISTRATOR.

1987 EXPANSION JOINT GAP DESIGN						
LOCATION	DIM 'J'					
	5'	10'	15'	20'	25'	30'
PIER 2	83	79	75	71	67	63
PIER 17	84	79	75	70	65	61

MAY 2006 EXPANSION JOINT GAP	
LOCATION	DIM 'J'
PIER 2	77
PIER 17	80

NOTE:

NO.	REVISION	DATE	BY

DESIGNED BY: B.A.N.
DRAWN BY: M.R.T.
CHECKED BY: B.A.N.
APPROVED BY: B.A.N.
AUTHORIZED BY:
B.A. NEIRINCK BRIDGE PLANNING & OPERATIONS ENGINEER

METRIC
WHOLE NUMBERS INDICATE MILLIMETRES
DECIMALIZED NUMBERS INDICATE METRES

CITY OF WINNIPEG
PUBLIC WORKS DEPARTMENT
ENGINEERING DIVISION

MISCELLANEOUS DECK SEALING,
CONCRETE REPAIRS &
RELATED WORKS

ST. JAMES BRIDGE NORTHBOUND
EXPANSION JOINT ELEVATIONS & SECTION

SHEET 3 OF 3
HORIZONTAL: N.T.S.
VERTICAL: N.T.S.
CITY DRAWING NUMBER:
B102-07-03

ENGINEER'S SEAL
PROVINCE OF MANITOBA
ORIGINAL SIGNED BY
B.A.J. NEIRINCK
2007/05/04
REGISTERED PROFESSIONAL ENGINEER
BID OPPORTUNITY NO.:
245-2007