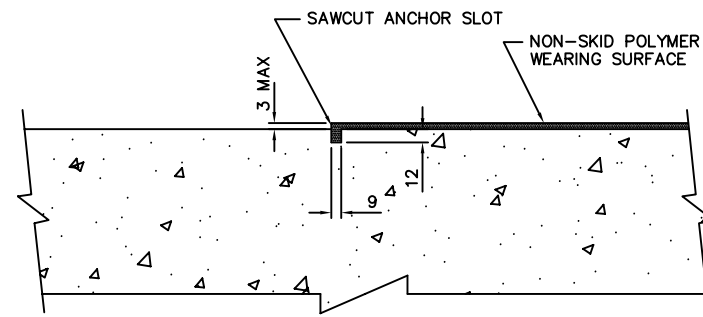
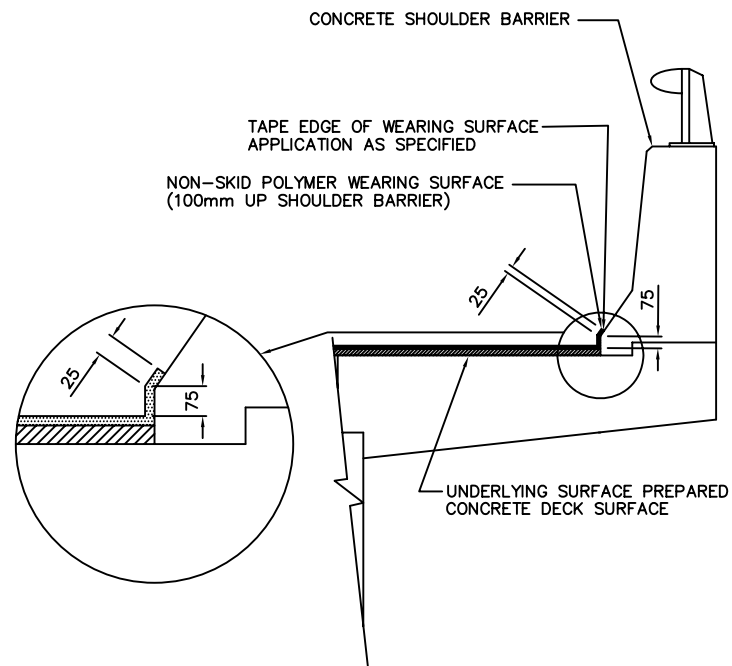


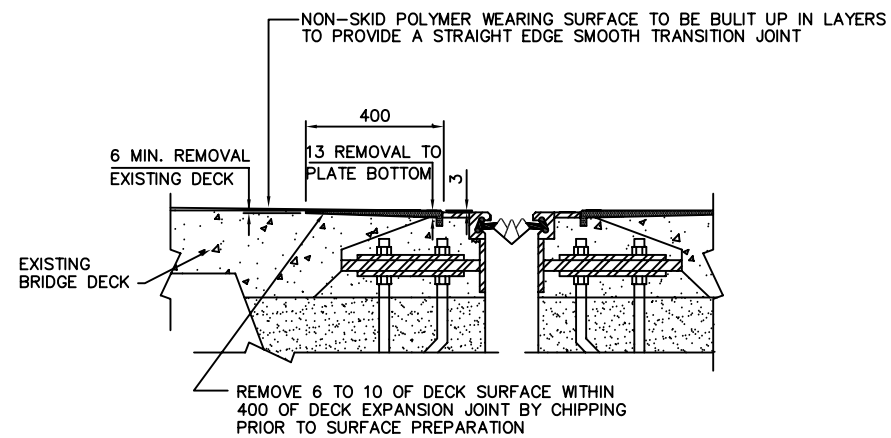
**DECK REPAIR DETAILS**  
N.T.S.



**TYPICAL ANCHOR DETAIL**  
N.T.S.



**TRAFFIC BARRIER DETAIL (TYPICAL)**  
N.T.S.



**EXPANSION JOINT (TYPICAL)**  
N.T.S.

**METRIC**  
WHOLE NUMBERS INDICATE MILLIMETRES  
DECIMALIZED NUMBERS INDICATE METRES

NOTE:

B.M. ELEV.	DESIGNED BY: B.A.N.
	DRAWN BY: M.R.T.
	CHECKED BY: B.A.N.
	APPROVED BY: B.A.N.
	AUTHORIZED BY:
	B.A. NEIRINCK BRIDGE PLANNING & OPERATIONS ENGINEER
NO. REVISION	DATE BY

ENGINEER'S SEAL

BID OPPORTUNITY NO.: 245-2007

**CITY OF WINNIPEG**  
PUBLIC WORKS DEPARTMENT  
ENGINEERING DIVISION

MISCELLANEOUS DECK SEALING,  
CONCRETE REPAIRS &  
RELATED WORKS

ST. JAMES BRIDGE NORTHBOUND  
WEARING SURFACE DETAILS

SHEET 2 OF 3  
HORIZONTAL: N.T.S.  
VERTICAL: N.T.S.  
CITY DRAWING NUMBER:  
B102-07-02