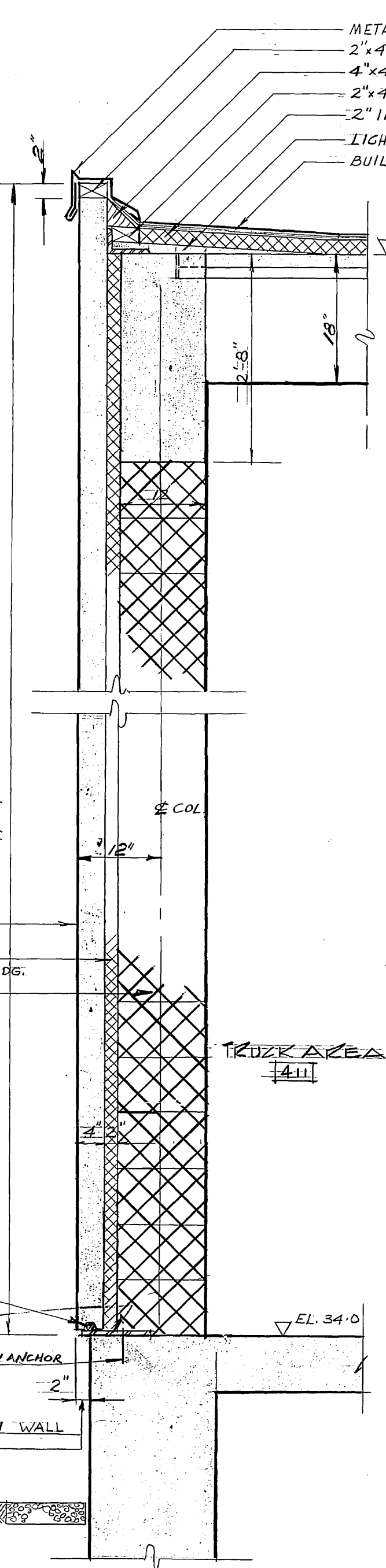
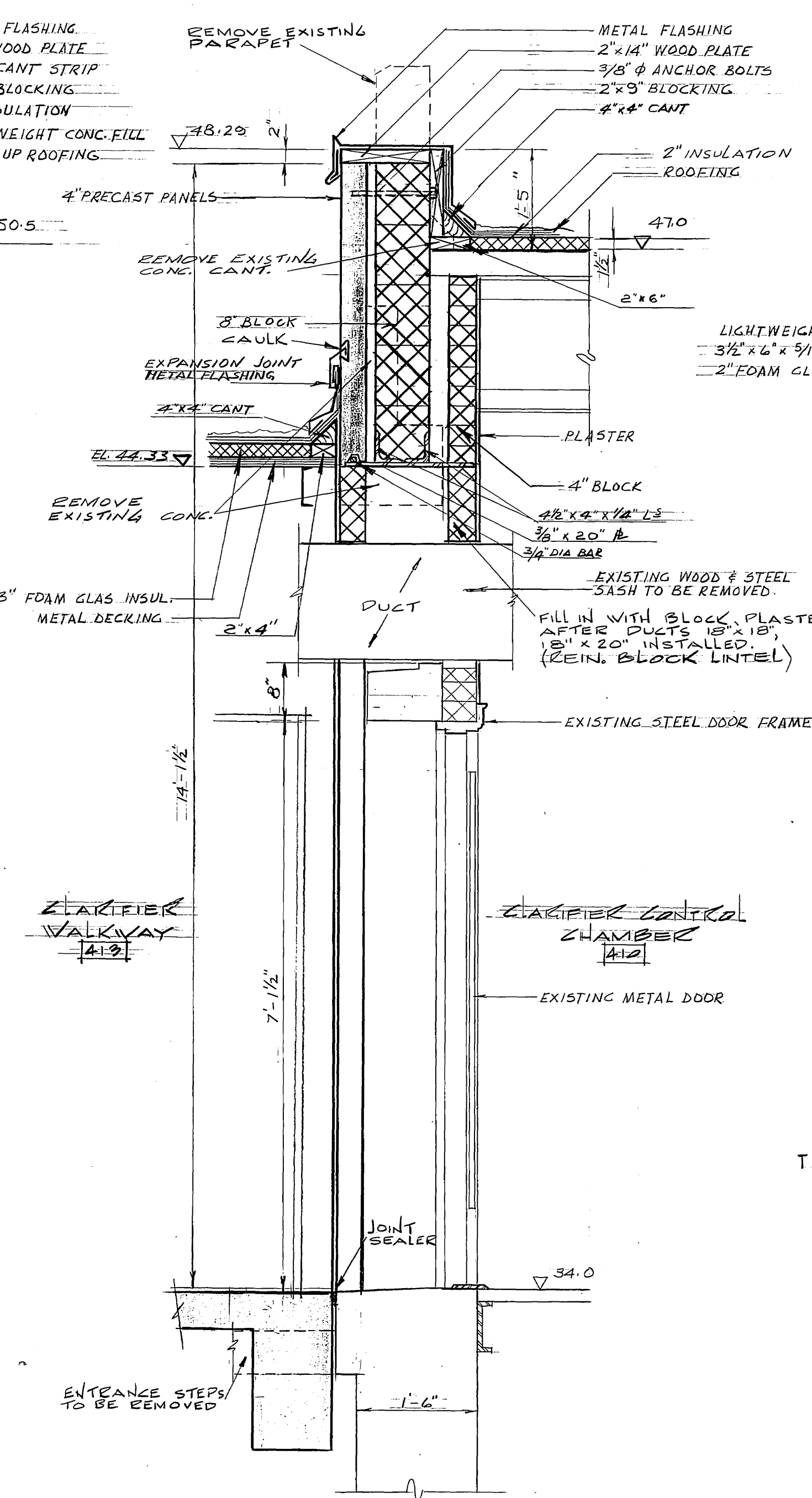


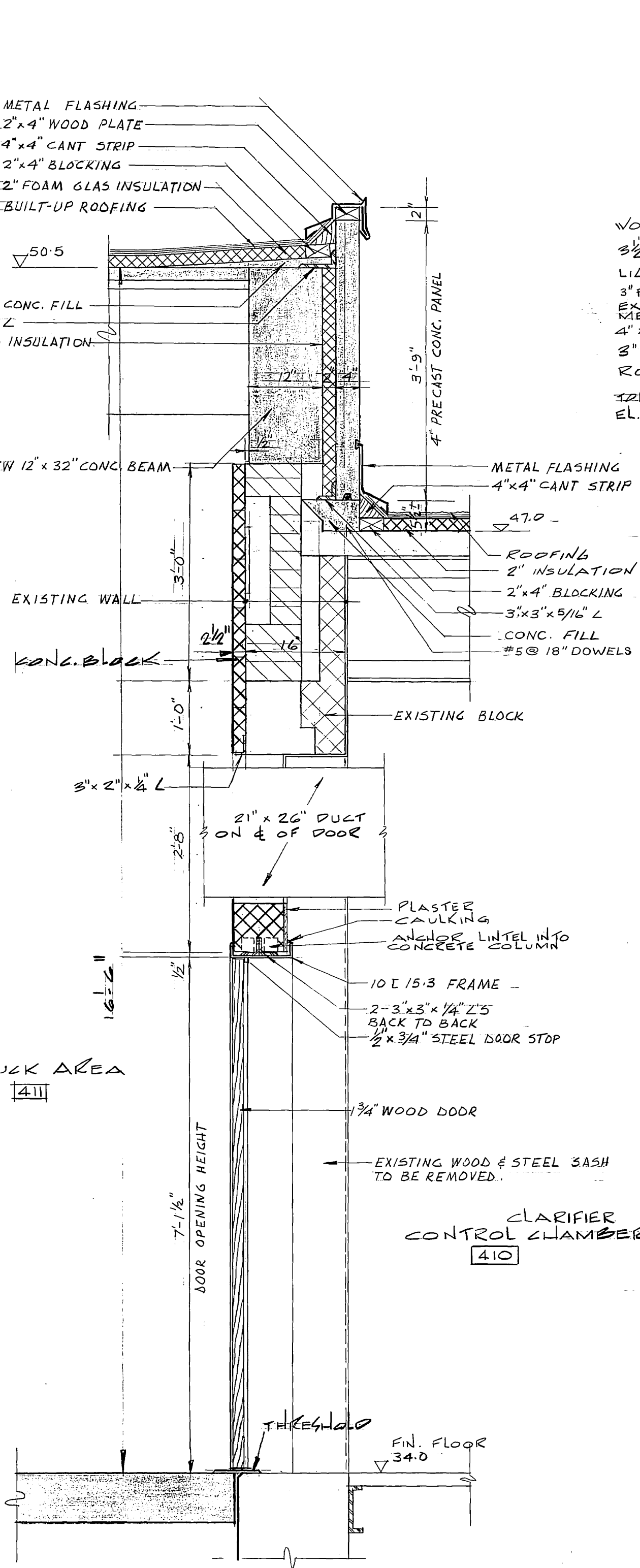
WALL SECTION 88A  
SCALE 3/4" = 1'-0"  
TYPICAL FOR PANEL SUPPORT  
ON EXISTING WALL



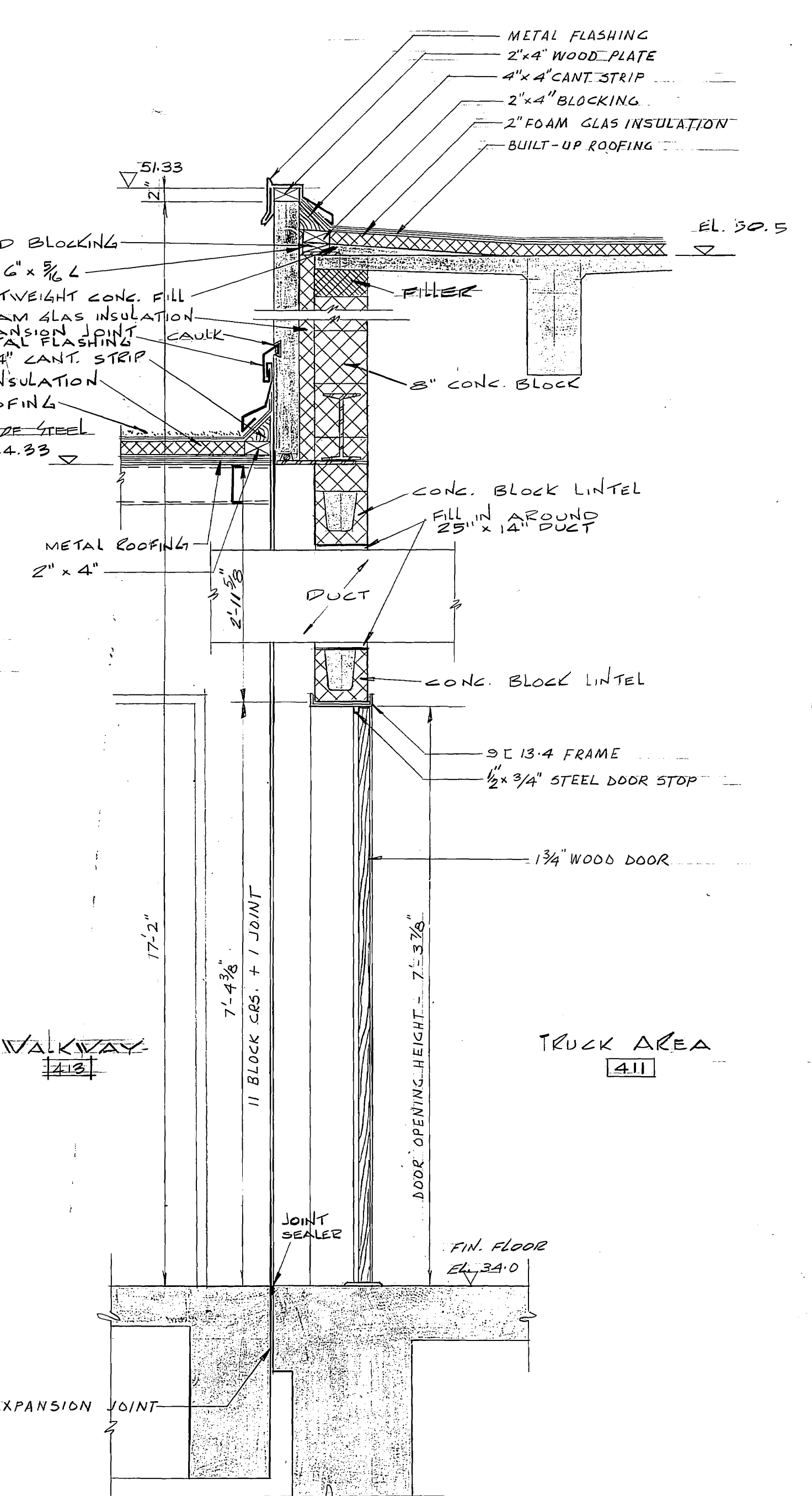
WALL SECTION 88B  
SCALE 3/4" = 1'-0"  
TYPICAL FOR PANEL SUPPORT  
ON NEW WALL



DOOR SECTION 88C  
SCALE 3/4" = 1'-0"

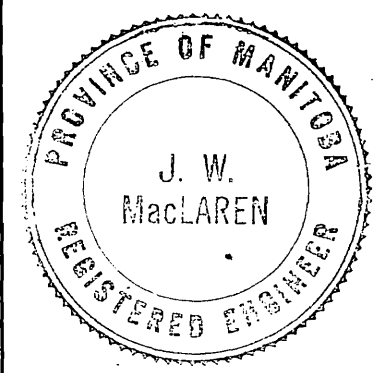


DOOR SECTION 88D  
SCALE 3/4" = 1'-0"



DOOR SECTION 88E  
SCALE 3/4" = 1'-0"

| REVISIONS |      |        |
|-----------|------|--------|
| NO.       | DATE | DETAIL |
|           |      |        |
|           |      |        |
|           |      |        |
|           |      |        |
|           |      |        |



THE METROPOLITAN CORPORATION OF GREATER WINNIPEG  
WATERWORKS AND WASTE DISPOSAL DIVISION

NORTH END SEWAGE TREATMENT PLANT

**CONTRACT A - CLARIFIER CONTROL BUILDING - SUPERSTRUCTURE WALL & DOOR SECTIONS**

APPROVED: *J. MacLaren*  
JAMES F. MACLAREN LIMITED ENGINEERS TORONTO

APPROVED: *A. Penman*  
W.L. WARDROP ASSOCIATES (MANAGEMENT) LIMITED ENGINEERING CONSULTANTS WINNIPEG

DATE: MARCH 11, 1963  
SCALE: 3/4" = 1'-0"  
DWG. No. 88 OF 217

AS BUILT

NEP-88

FOR ACTUAL ELEV. SUBTRACT 0.37 FT.