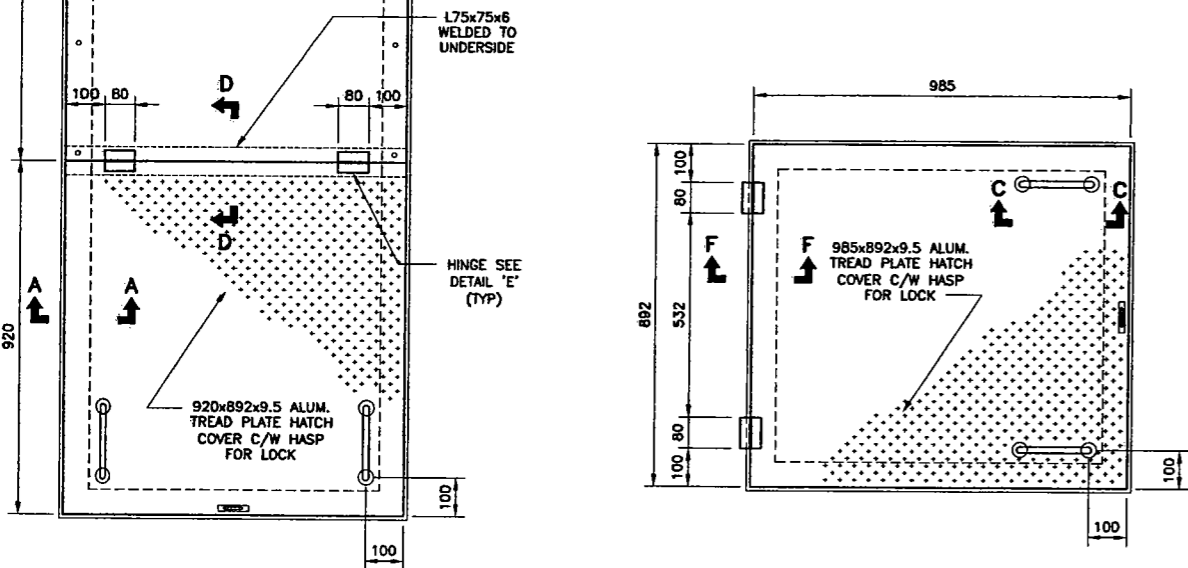
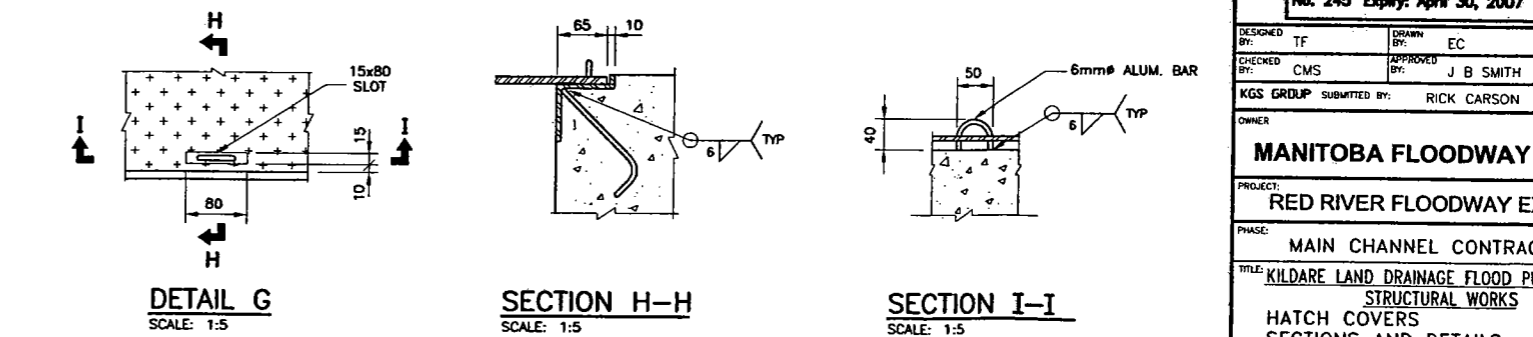
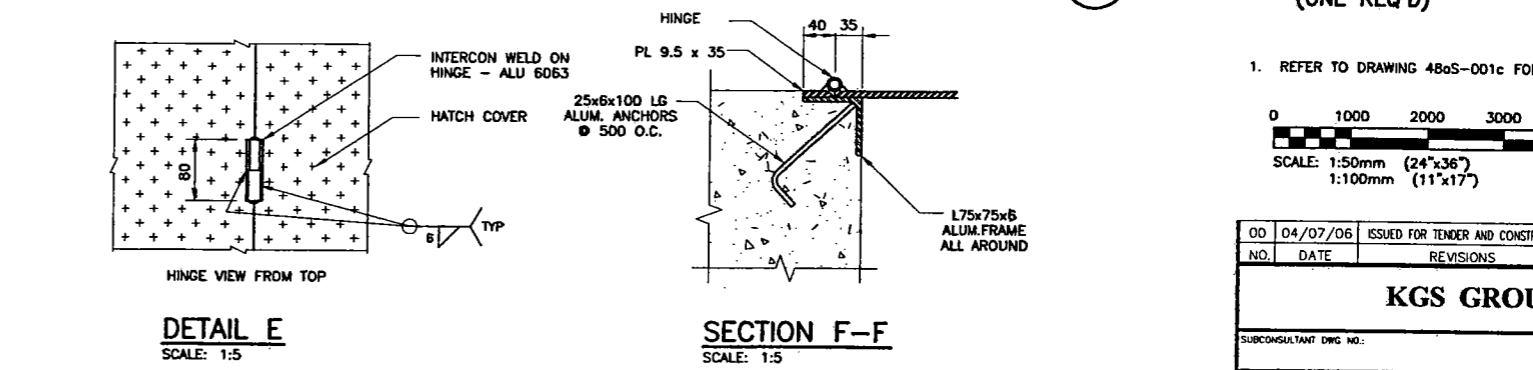
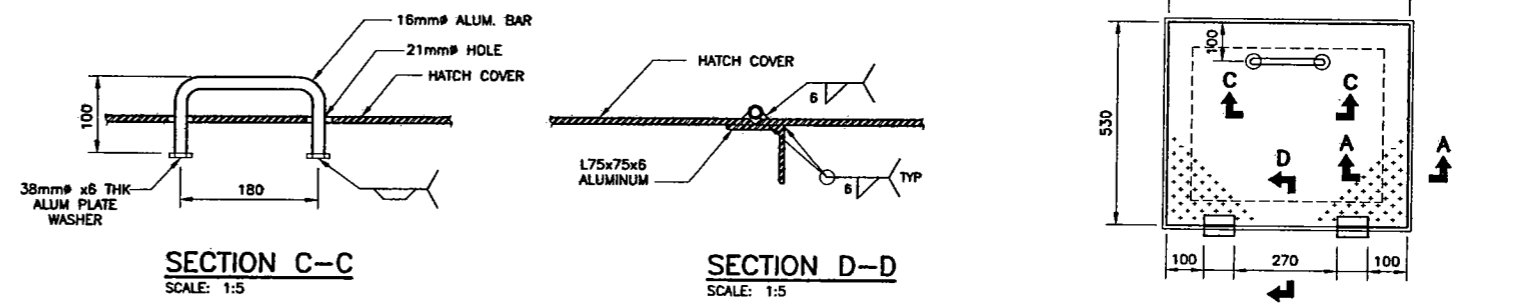
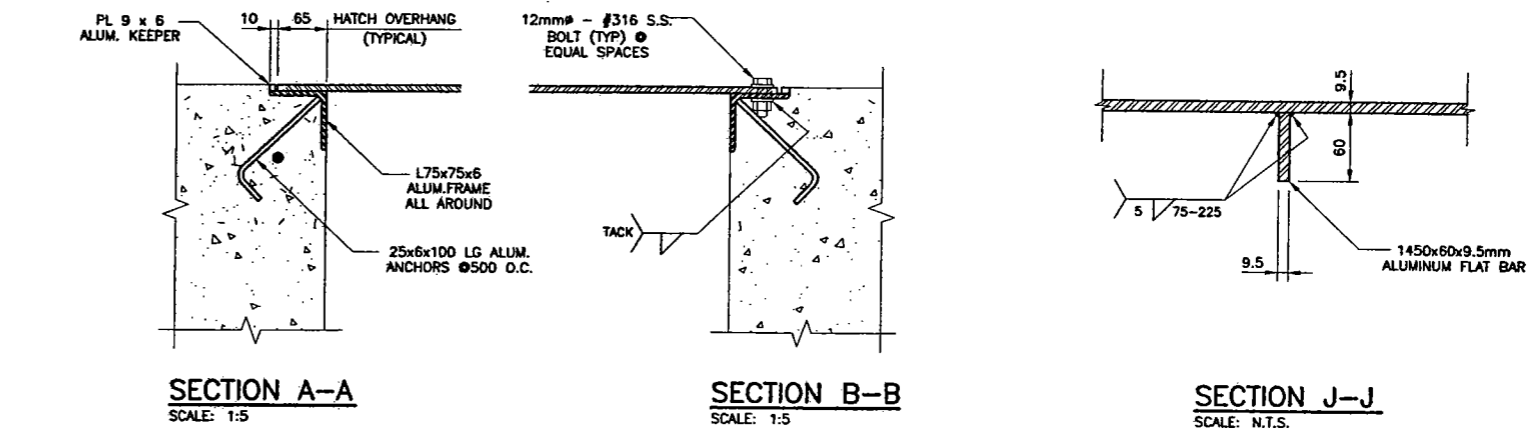


(2 REQUIRED)



(2 REQUIRED W/ HINGED MAN ACCESS)
(ONE REQUIRED W/O HINGED MAN ACCESS)

1 ACCESS HATCH DETAIL
SCALE: 1:10



2 HATCH COVER DETAIL
SCALE: 1:10 (ONE REQ'D)

1. REFER TO DRAWING 48aS-001c FOR GENERAL NOTES.
SCALE: 1:50mm (24"x36")
1:100mm (11"x17")

| | | | | | |
|---|---------------|------------------------------------|-----------|--------|----------|
| 00 | 04/07/06 | ISSUED FOR TENDER AND CONSTRUCTION | TF | CMS | JBS |
| NO. | DATE | REVISIONS | BY | CHKD. | APP. |
| KGS GROUP | | | | | |
| SUBCONSULTANT DWG NO.: | | | | | |
| C of A | | | | | |
| Certificate of Authorization KGS Group No. 245 Expiry: April 30, 2007 | | | | | |
| DESIGNED BY: | TF | DRAWN BY: | EC | SCALE: | AS NOTED |
| CHECKED BY: | CMS | APPROVED BY: | J B SMITH | DATE: | MAY 2006 |
| KGS GROUP SUBMITTED BY: RICK CARSON | | | | | |
| OWNER | | | | | |
| MANITOBA FLOODWAY AUTHORITY | | | | | |
| PROJECT: | | | | | |
| RED RIVER FLOODWAY EXPANSION | | | | | |
| PHASE: | | | | | |
| MAIN CHANNEL CONTRACT No. C5 | | | | | |
| TITLE: | | | | | |
| KILDARE LAND DRAINAGE FLOOD PUMPING STATION STRUCTURAL WORKS HATCH COVERS SECTIONS AND DETAILS | | | | | |
| RELEASED FOR CONSTRUCTION: | | | | | |
| DOUG McNEIL VICE PRESIDENT OF ENGINEERING AND CONSTRUCTION | | | | | |
| OWNER DWG NO.: | CC5-48aS-012c | SHT. | 01 | REV. | 00 |



24"x36" (1609x914) 2005/05/05-0107-17\Civil\Drawings\REVISION_00\CC5-48aS-012c-01-00.dwg - Tab. 12c - Apr 05, 2007 - 400dpi - User:None - jgnitzinger