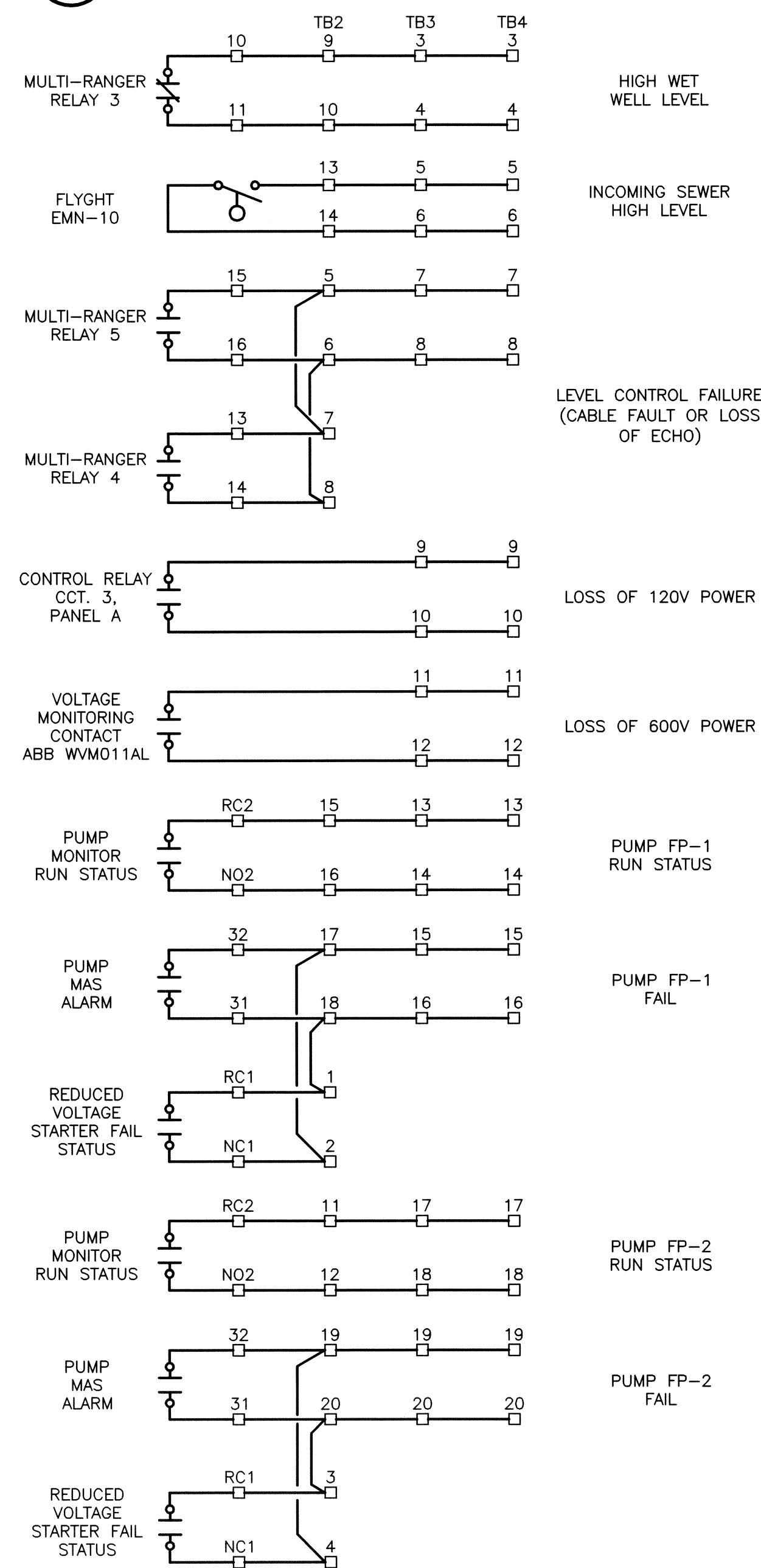
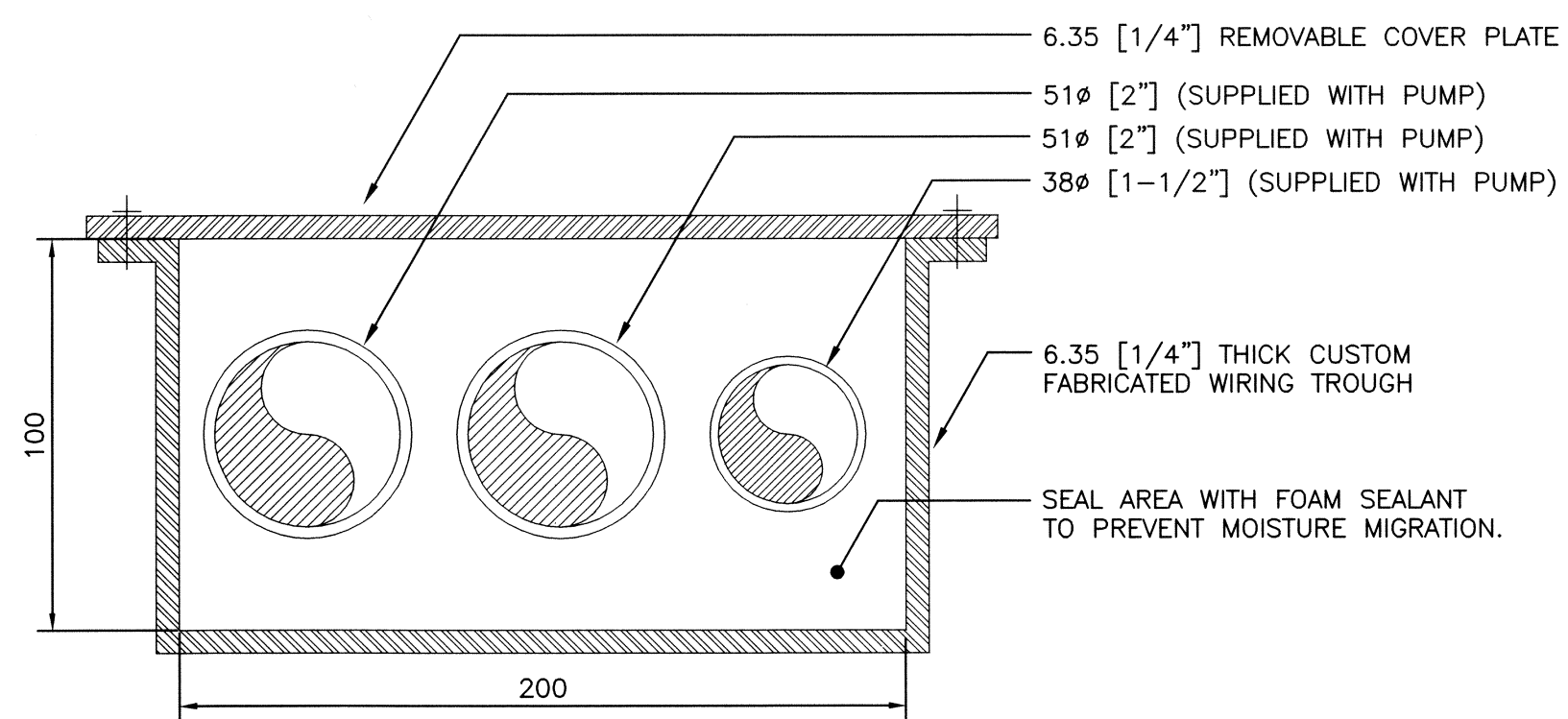


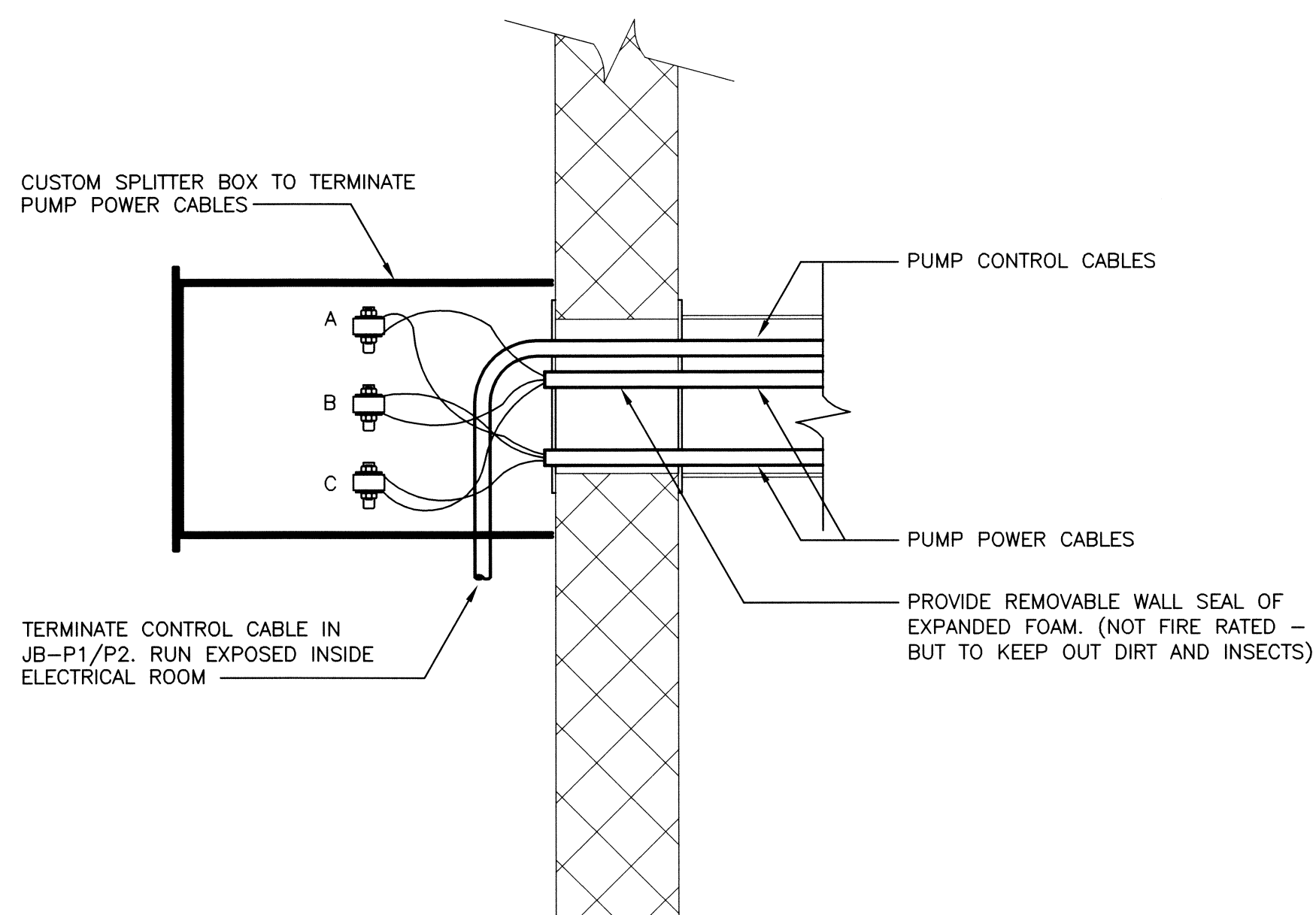
A ULTRASONIC TRANSDUCER DETAIL
SCALE: N.T.S.



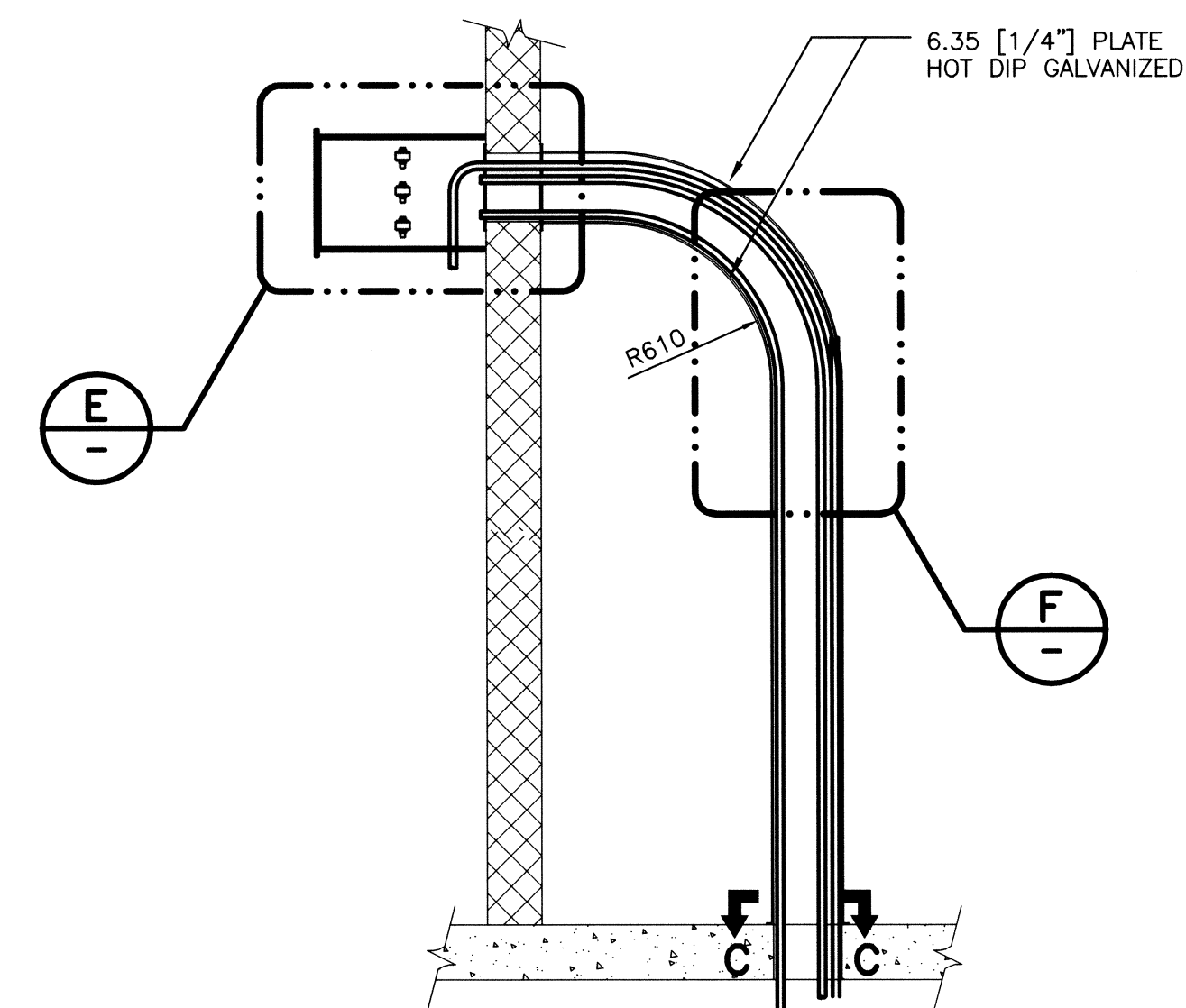
B CONTROL ELEMENTARY DIAGRAMS
SCALE: N.T.S.



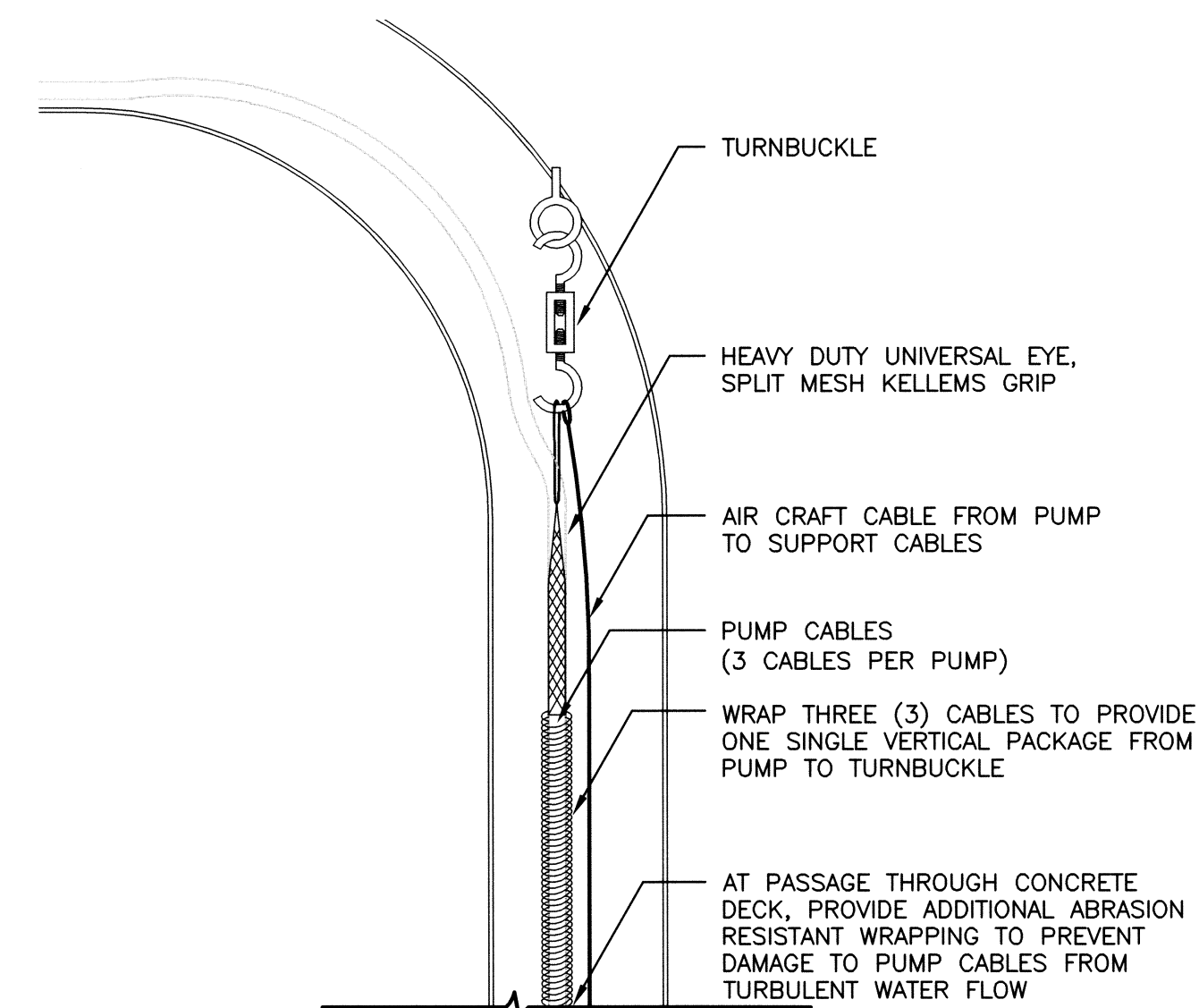
C SECTION 'C-C'
SCALE: N.T.S.



E DETAIL
SCALE: N.T.S.



D SECTION
SCALE: N.T.S.



F SECTION DETAIL
SCALE: N.T.S.

LEGEND:

- () CONDUCTOR IDENTIFICATION
- STARTER TERMINALS
- UC TERMINALS
- DEVICE TERMINALS
- UNIT CONTROLLER
- LOCAL OPERATOR CONTROLS
- FIELD WIRING
- PANEL WIRING
- WIRE CONNECTION

NOTES:

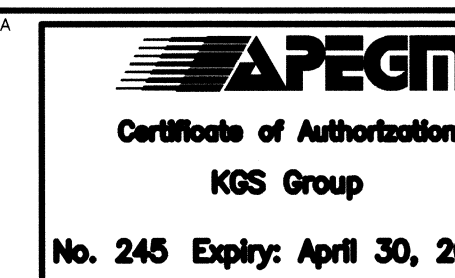
1. -

NO.	DATE	REVISIONS	BY	CHKD.	APP.
00	05/04/07	Issued for Tender and Construction By City of Winnipeg	GCN	DDW	REW
0C	05/04/07	Issued for Review to City of Winnipeg	GCN	DDW	REW
0B	04/07/06	Issued with Contract C5 as Reference Only	GCN	AP	REW
0A	09/06/06	ISSUED FOR REVIEW, 90% COMPLETE	GCN	AP	REW

KGS GROUP

SUBCONSULTANT DWG NO.:

C of A



ENG. STAMP

DESIGNED BY: AP	DRAWN BY: GCN	SCALE: AS NOTED
CHECKED BY: REW	APPROVED BY: REW	DATE: MAY, 2006

KGS GROUP SUBMITTED BY: RICK CARSON

OWNER:

MANITOBA FLOODWAY AUTHORITY

PROJECT: RED RIVER FLOODWAY EXPANSION

PHASE: MAIN CHANNEL CONTRACT No C5

TITLE: KILDARE LAND DRAINAGE FLOOD PUMPING STATION ELECTRICAL WORKS

FLOOD PUMPING STATION MISCELLANEOUS DETAILS

MFA acceptance:

DOUG McNEIL

VICE PRESIDENT OF ENGINEERING AND CONSTRUCTION

OWNER DWG NO. CC5-48aE-006c

SHT. 01

REV. 00

24"x36" / [609.914] P:\Projects\2005\05-0107-17\Elect\Draws\CC5-48aE-006c-01-00.dwg - Tab: E-006 - Jun 01, 2007 - 4:55pm - User Name: [Nelson]

CITY OF WINNIPEG IS RESPONSIBLE FOR MECHANICAL AND ELECTRICAL WORK
MFA acceptance is limited to the Red River Floodway Expansion project only, and specifically excludes acceptance of any mechanical and electrical works indicated on this drawing, which are incorporated for the purpose of City of Winnipeg Bid Opportunity 238-2007

THE CITY OF WINNIPEG WATER & WASTE DEPARTMENT
CAD FILE DRAWING NUMBER: CC5-48aE-006c-01-00.dwg
CITY DRAWING NUMBER: -