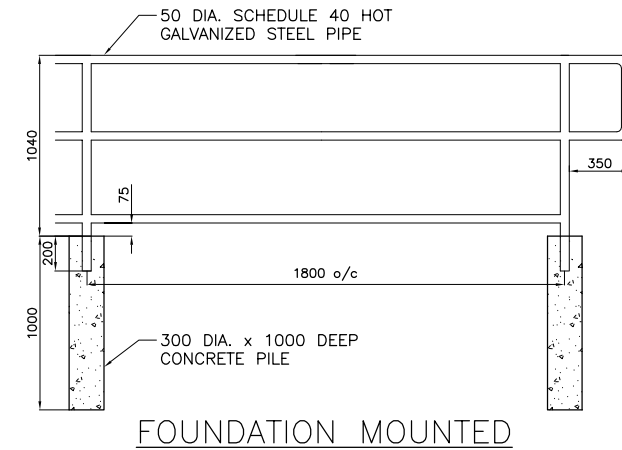


NOTE: ALL HARDWARE/FASTENERS HOT-DIPPED GALVANIZED
ALL FENCE BOARDS TO BE ATTACHED WITH GALVANIZED DECK SCREWS

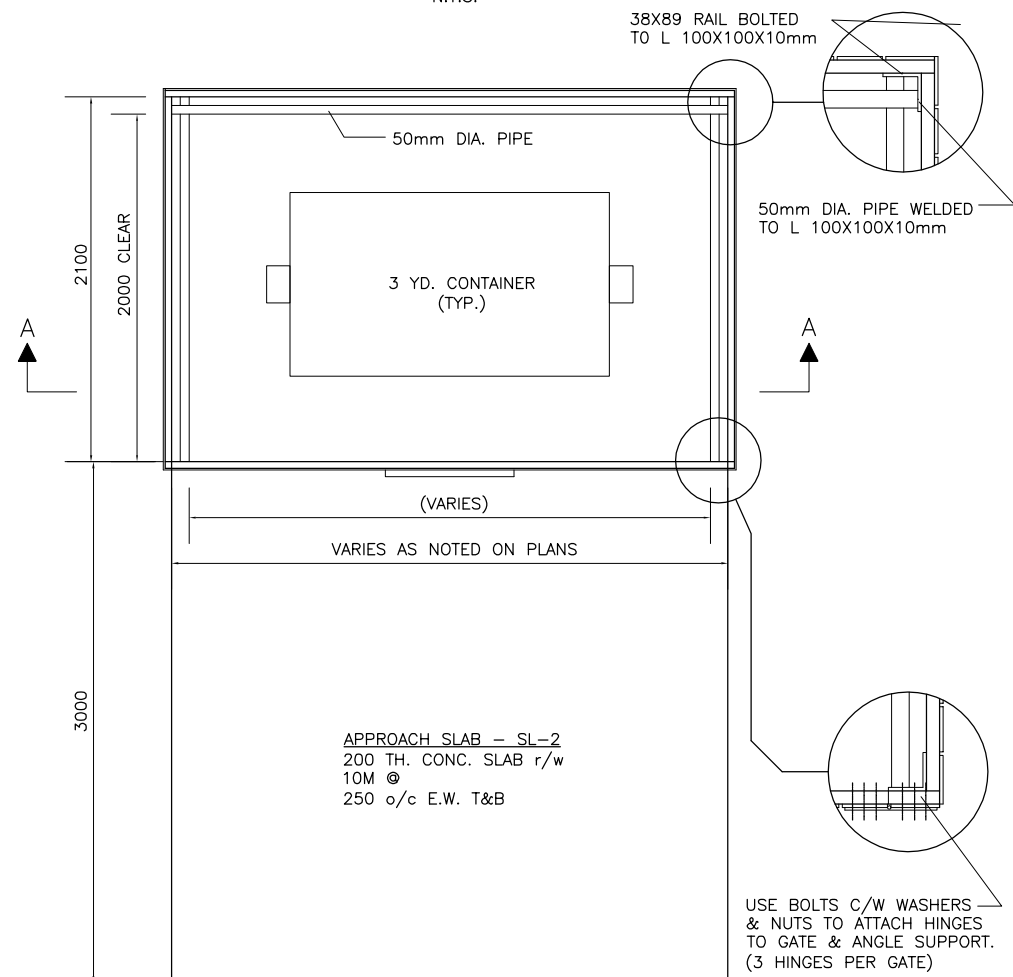
ENCLOSURE SECTION A-A
N.T.S.



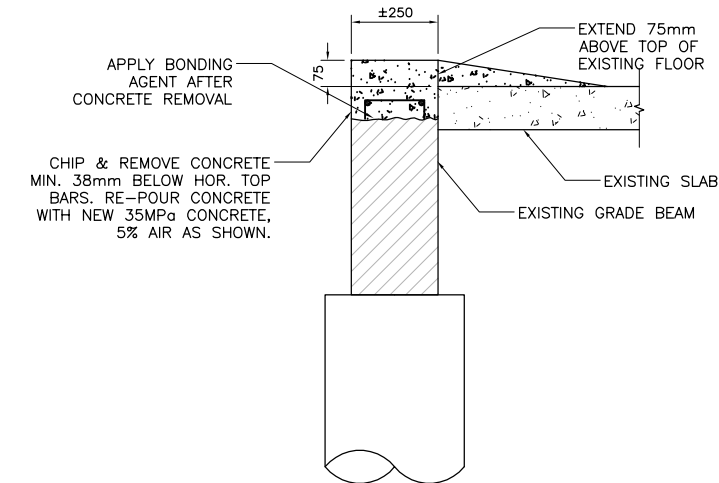
FOUNDATION MOUNTED

WALL MOUNTED

HAND RAIL DETAIL
N.T.S.



GARBAGE ENCLOSURE PLAN
N.T.S.



GRADE BEAM RESTORATION AT OVERHEAD DOOR
1:10

USE BOLTS C/W WASHERS & NUTS TO ATTACH HINGES TO GATE & ANGLE SUPPORT. (3 HINGES PER GATE)

METRIC
WHOLE NUMBERS INDICATE MILLIMETRES
DECIMALIZED NUMBERS INDICATE METRES



150 mm WM	WATERMAIN	150 mm WM	HYDRO	150 mm WM	WATERMAIN
+	HYDRANT VALVE	+	CONCRETE	+	HYDRANT VALVE
300 mm LDS	LAND DRAINAGE SEWER	300 mm LDS	LIMIT OF ASPHALT	300 mm LDS	SEWER
250 mm CS	COMBINED SEWER	250 mm CS	CURB RENEWAL	300 mm LDS	300 mm LDS
○	MANHOLE	●	ASPHALT	○	
□	CATCH BASIN (CB)	■	ELEVATIONS	○	SOUTH/EAST R
△	CATCH PIT (CP)	▲	PROPERTY LINE	○	NORTH/WEST R
◇	SIGN	◆	SURVEY BAR	○	○ PROFILE
○	LAMP STANDARD	○	CURB STOP	○	SOUTH/EAST GUTTER
○	GAS	○	RAMP CURB	○	NORTH/WEST GUTTER
EXISTING	LEGEND - PLAN	NEW	EXISTING	LEGEND - PLAN	NEW
EXISTING	LEGEND - PROFILE	NEW	EXISTING	LEGEND - PROFILE	NEW

LOCATION APPROVED UNDERGROUND STRUCTURES

W. SIDE OF WOODLAWN ST. N. OF NESS AVE., TBLT IN E. CONC. FOUNDATION OF ST. JAMES CIVIC CENTRE, 18m N. OF S.E. CORNER OF BLDG & 0.3m BELOW CONC. BLOCK.

235.778m

DESIGNED BY: D.T.B. CHECKED BY: B.D.E.
DRAWN BY: D.T.B. APPROVED BY: D.T.B.

HOR. SCALE: N.T.S.

ISSUED FOR TENDER: 07/05/02 DATE: 07/05/02 BY: D.T.B.

NO. REVISIONS: DATE: BY:

DATE: MAY 2, 2007

GENIVAR
Geotechnical Engineering
1800-387-2222
www.genivar.com

ENGINEER'S SEAL

DESIGNED BY: D.T.B. CHECKED BY: B.D.E.
DRAWN BY: D.T.B. APPROVED BY: D.T.B.

HOR. SCALE: N.T.S.

ISSUED FOR TENDER: 07/05/02 DATE: 07/05/02 BY: D.T.B.

NO. REVISIONS: DATE: BY:

DATE: MAY 2, 2007

THE CITY OF WINNIPEG
PUBLIC WORKS DEPARTMENT

ST. JAMES CIVIC CENTRE
PROPOSED EAST PARKING LOT
MISCELLANEOUS DETAILS

CITY DRAWING NUMBER: 227-2007-004
SHEET 4 OF 4

REV. 4 0

CONSULTANT DRAWING NO. 07043C04