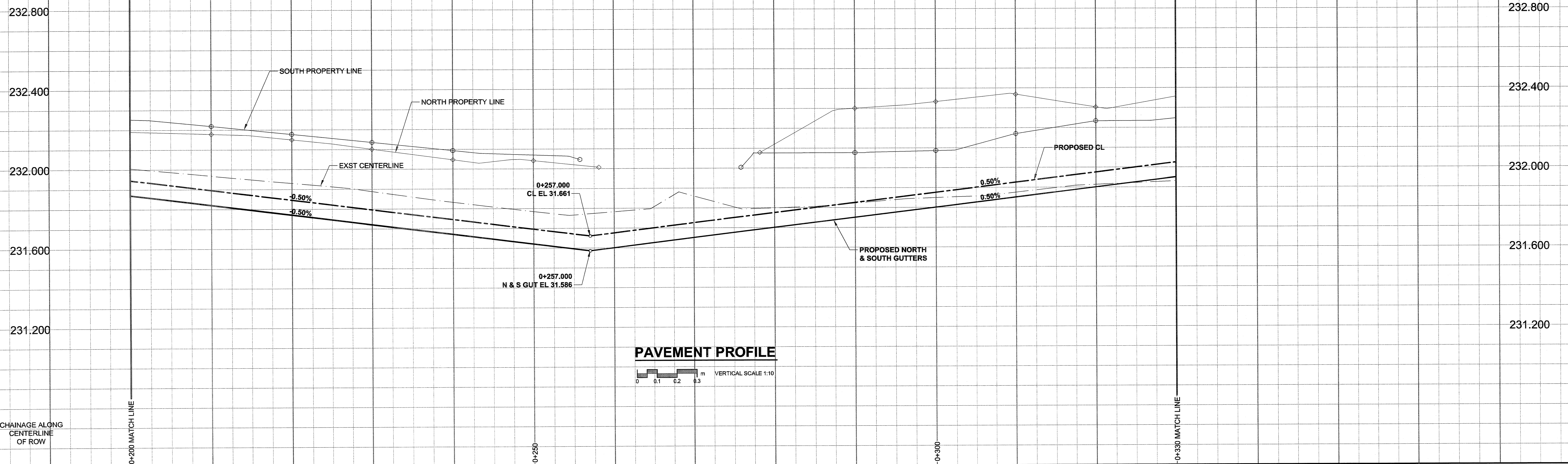


A1 SIZE 23.4" x 33.1" (594mm x 841mm)

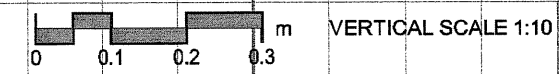


CHAINAGE ALONG CENTERLINE OF ROW

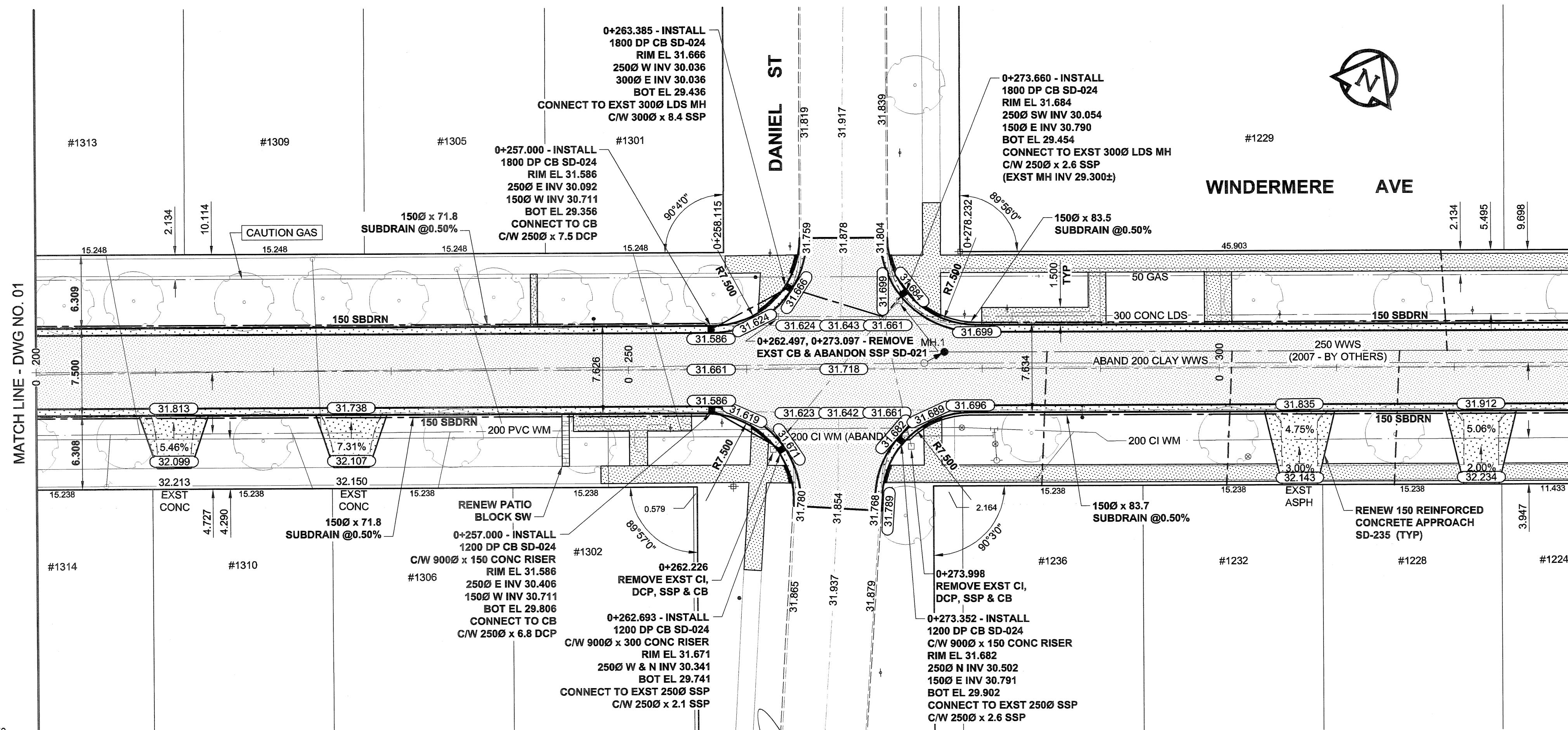
0+200 MATCH LINE

0+330 MATCH LINE

PAVEMENT PROFILE

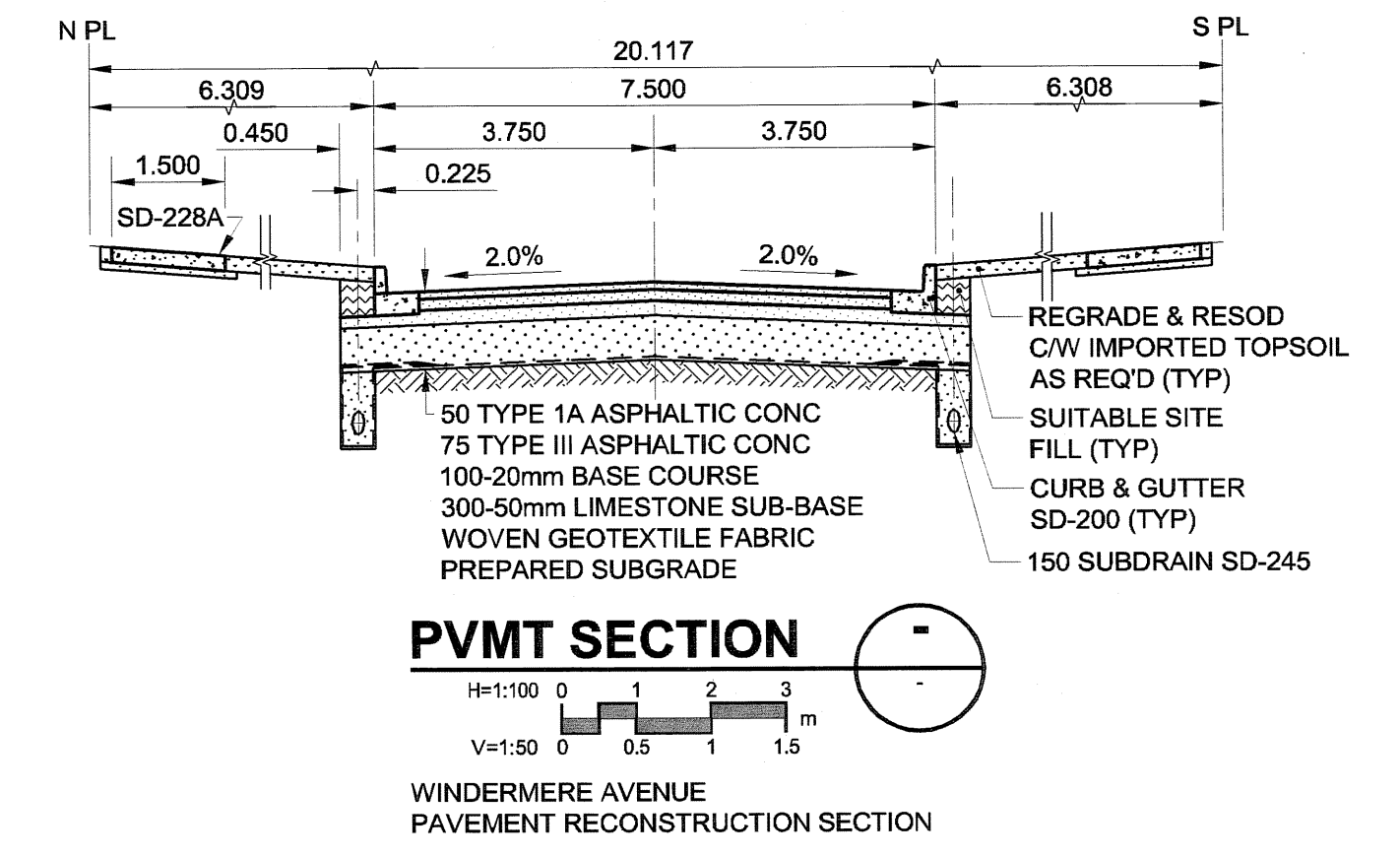


PLOT: 07/03/2008 3:23:40 PM



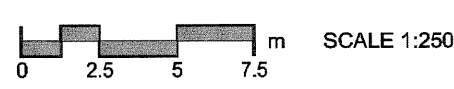
MATCH LINE - DWG NO. 01

MATCH LINE - DWG NO. 03



PVMT SECTION
H=1:100
V=1:50

- NOTES
- ADJUST MH AND CB RIMS TO NEW GRADES.
 - CONTRACTOR TO EXERCISE CAUTION WHEN INSTALLING 150 SUBDRAIN TO PREVENT CROSSING CONFLICTS WITH EXST GAS SERVICES. LAMP STANDARDS, HYDRO POLES, AND ANCHORS MAY REQUIRE TEMPORARY SUPPORT/REMOVAL OR REPLACEMENT AT THE CONTRACTOR'S EXPENSE.
 - CONTRACTOR SHALL TAKE PRECAUTIONARY STEPS TO PROTECT EXISTING BOULEVARD TREES WITHIN THE LIMITS OF CONSTRUCTION FROM DAMAGE FROM CONSTRUCTION ACTIVITIES AS OUTLINED IN THE SPECIFICATIONS.
 - CONTRACTOR SHALL REGRADE/RENEW EXST PRIVATE SIDEWALKS TO LIMITS AS SHOWN. RENEW SIDEWALKS WITH CONCRETE UNLESS NOTED OTHERWISE.
 - THE LOCATION OF ALL SERVICES TO BE CONFIRMED IN THE FIELD BY THE CONTRACTOR.
 - ADD 200.000m TO ABBREVIATED ELEVATIONS TO OBTAIN GEODETIC ELEVATIONS.
 - CURB HEIGHT TO BE REDUCED TO 40mm AT PRIVATE APPROACHES SD-202B.



METRIC
WHOLE NUMBERS INDICATE MILLIMETRES
DECIMALIZED NUMBERS INDICATE METRES

—	NATURAL GAS	○	MANHOLE	●	CONCRETE PAVEMENT	□	LOCATION APPROVED	BM 65-016	PROFESSIONAL'S SEAL			
---	COMMUNICATION	□	CATCH BASIN / CATCH PIT	■	ASPHALT PAVEMENT	■	UNDERGROUND STRUCTURES	ELEV 233.024m				
---	HYDRO	○	C & G INLET WITH BOX	○	CONC. SIDEWALK/MEDIAN	■	DATE			DESIGNED BY	WAS	CHECKED BY
---	CATV	○	TREE	○	PAVING STONE	■	COMMITTEE		DRAWN BY	hlc	APPROVED BY	M
---	TRAFFIC SIGNALS	○	TEST HOLE	○	GRAVEL	■	NOTE:		HOR. SCALE	1:250	RELEASED FOR CONSTRUCTION	
---	LAND DRAINAGE SEWER	---	PROPERTY LINE	---	CURB RAMP	---	LOCATION OF UNDERGROUND STRUCTURES AS SHOWN ARE BASED ON THE BEST INFORMATION AVAILABLE. BUT NO GUARANTEE IS GIVEN THAT ALL EXISTING UTILITIES ARE SHOWN OR THAT THE GIVEN LOCATIONS ARE EXACT. CONFIRMATION OF EXISTENCE AND EXACT LOCATION OF ALL SERVICES MUST BE OBTAINED FROM THE INDIVIDUAL UTILITIES BEFORE PROCEEDING WITH CONSTRUCTION.		VERT. SCALE	AS SHOWN	DATE	MAR 29 07
---	SANITARY/COMBINED SEWER	---	SURVEY BAR	---	PAVT PLANING/REMOVAL	---			DATE	07/03/30	CONSULTANT DRAWING NO.	0265-393-00_01-CT1005_RX
---	SSP/DCP	---	FENCE	---					NO. ISSUED FOR CONSTRUCTION	07/03/30	CITY DRAWING NUMBER	N/A
---	WATERMAIN	---	BOC/EOPAVT	---					NO. REVISIONS	YYMMDD	SHEET	7 OF 8
---	SUBDRAIN	---	ELEVATION	---							DRAWING No.	07
---	DITCH	---		---							REV	0
---	EXISTING	---	LEGEND - PLAN	---							HORIZONTAL AND VERTICAL ALIGNMENT	
---	NEW	---	LEGEND - PLAN	---							FROM 0+200 TO STA 0+330	

BID OPPORTUNITY NO. 224-2007

THE CITY OF WINNIPEG
PUBLIC WORKS DEPARTMENT
TRANSPORTATION ENGINEERING DIVISION

WINDERMERE AVENUE
BEAUMONT STREET TO DEREK STREET
RECONSTRUCTION