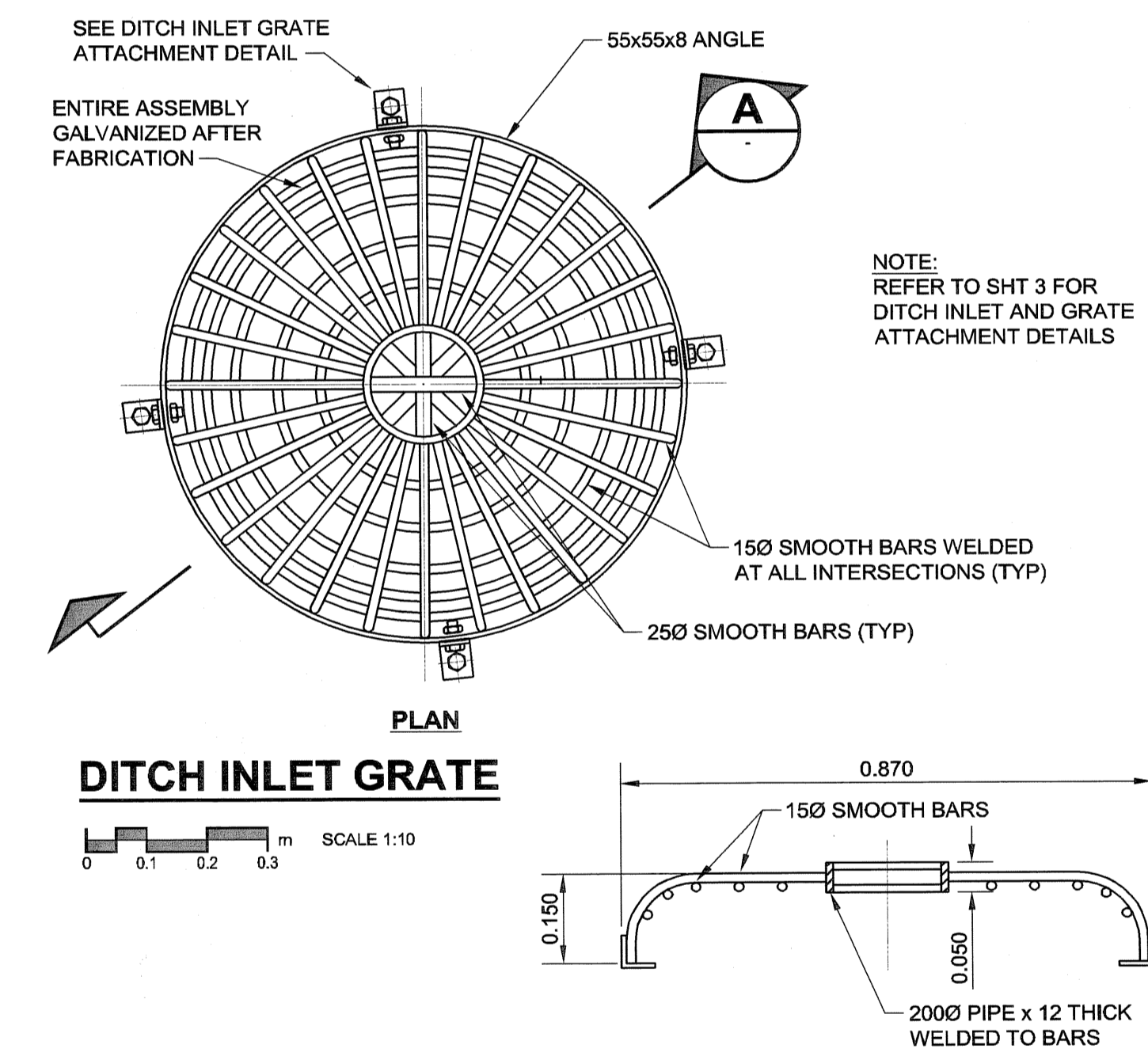
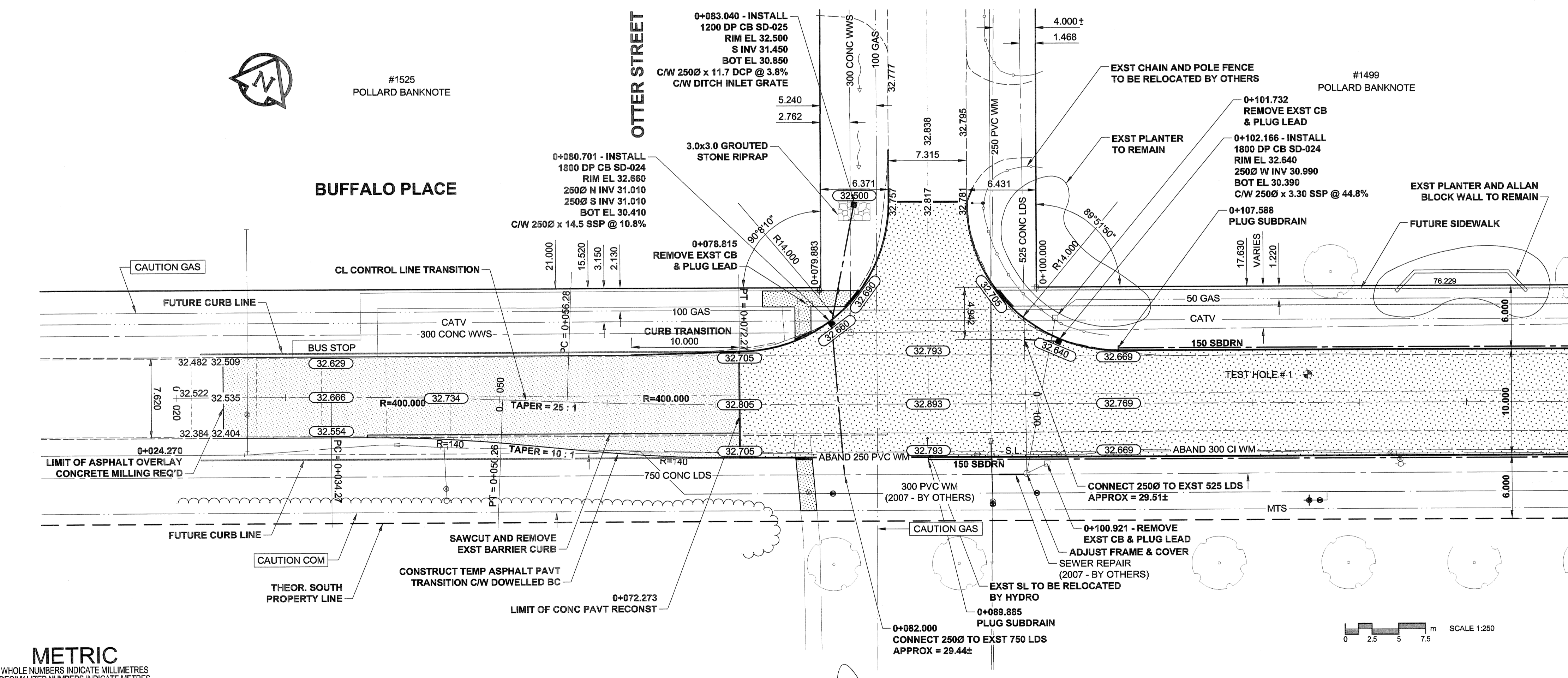
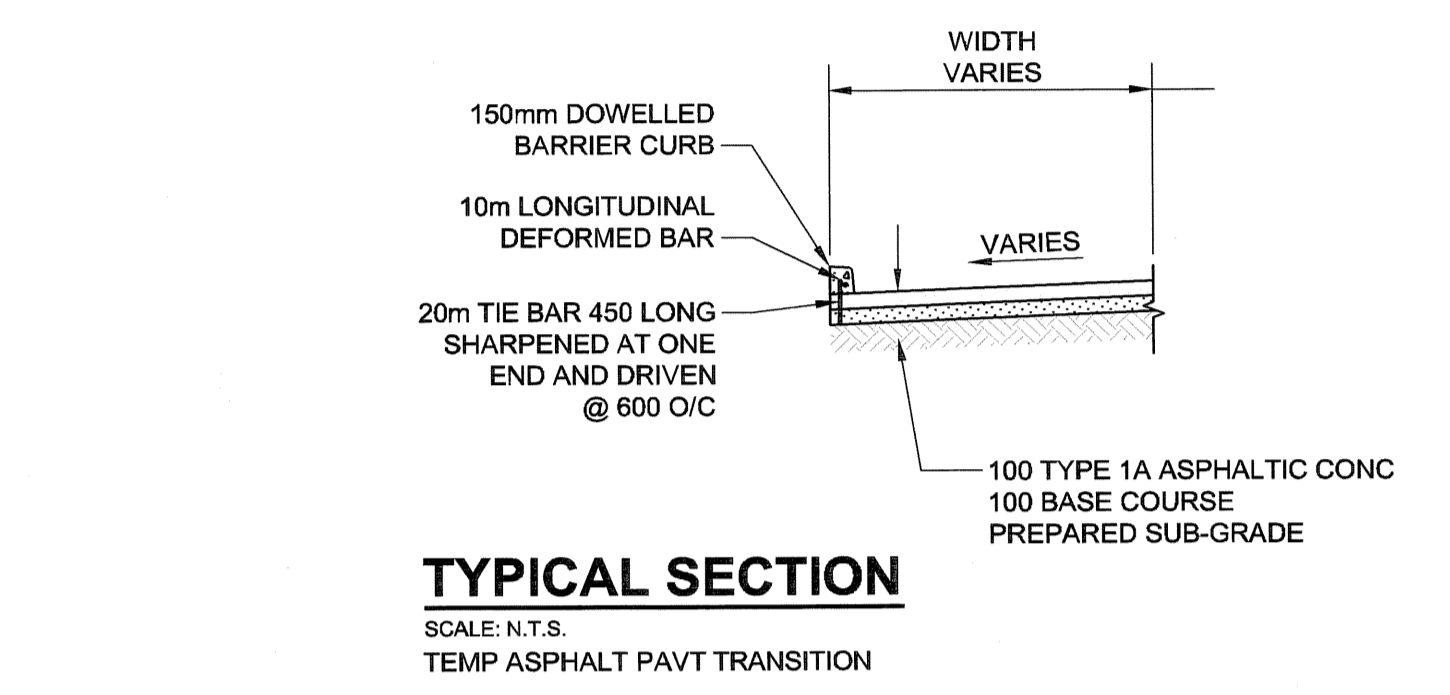
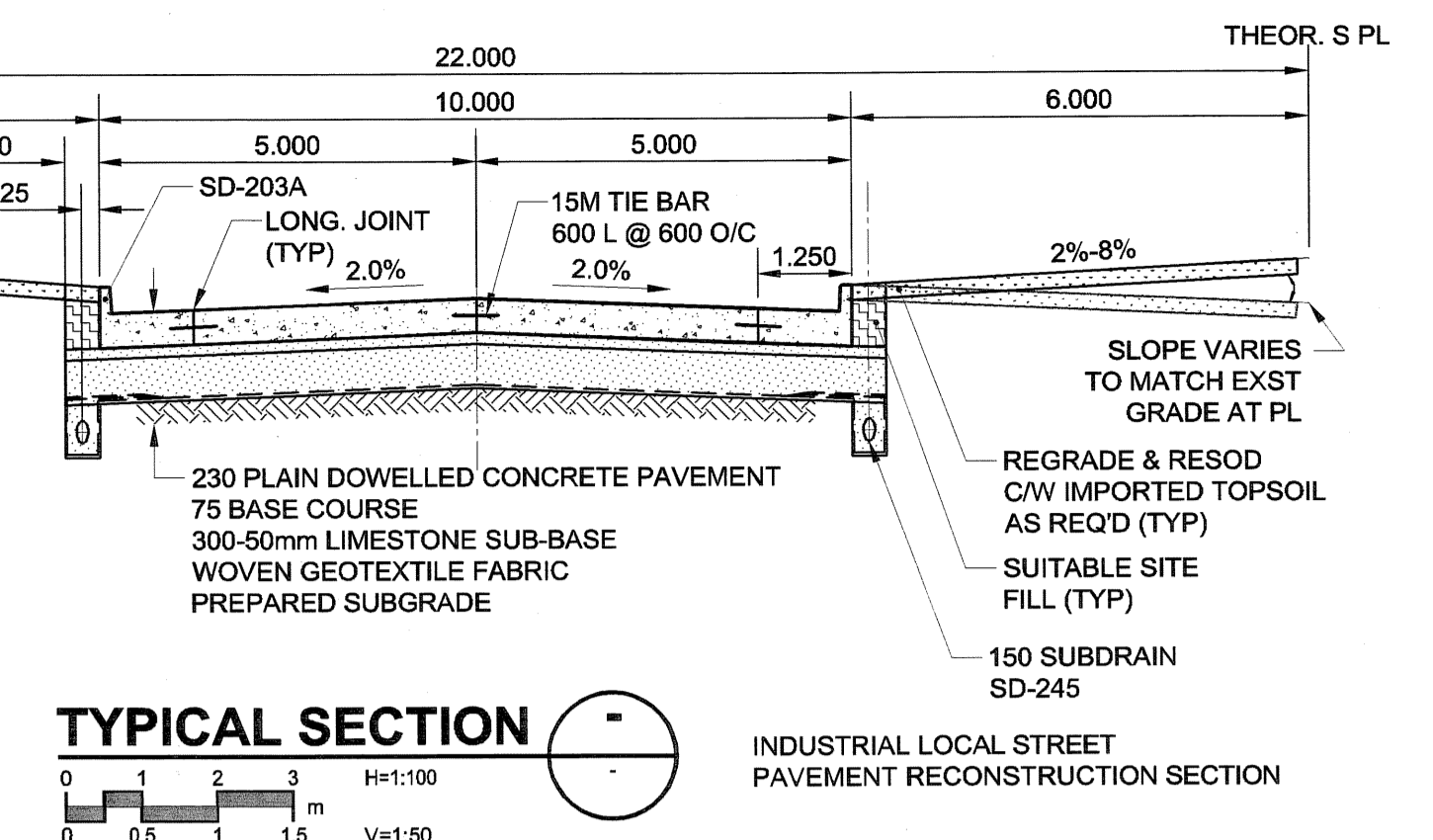
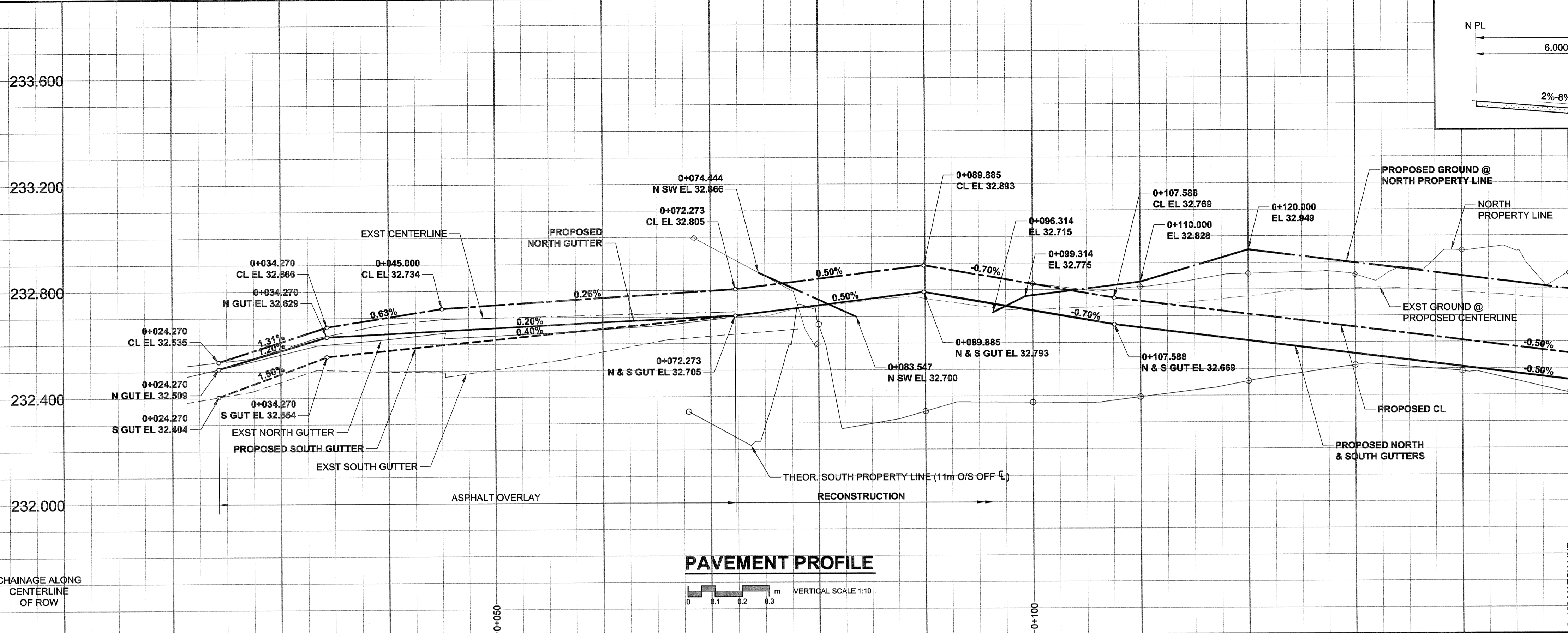


A1 SIZE 23.4" x 33.1" (594mm x 841mm)

PLOT: 07/03/28 3:47:51 PM

UMA/AECOM/VIEW DRAFT CHK



NOTES

- ADJUST MH AND CB RIMS TO NEW GRADES.
- CONTRACTOR TO EXERCISE CAUTION WHEN INSTALLING 150 SUBDRAIN TO PREVENT CROSSING CONFLICTS WITH EXST GAS SERVICES.
- LAMP STANDARDS, HYDRO POLES, AND ANCHORS MAY REQUIRE TEMPORARY SUPPORT/REMOVAL OR REPLACEMENT AT THE CONTRACTOR'S EXPENSE.
- CONTRACTOR SHALL TAKE PRECAUTIONARY STEPS TO PROTECT EXISTING BOULEVARD TREES WITHIN THE LIMITS OF CONSTRUCTION FROM DAMAGE FROM CONSTRUCTION ACTIVITIES AS OUTLINED IN THE SPECIFICATIONS.
- CONTRACTOR SHALL REGRADE EXST PRIVATE SIDEWALKS. LIMITS TO BE DETERMINED.
- THE LOCATION OF ALL SERVICES TO BE CONFIRMED IN THE FIELD BY THE CONTRACTOR.
- ADD 200.000m TO ABBREVIATED ELEVATIONS TO OBTAIN GEODETIC ELEVATIONS.

APCCM
Certificate of Authorization
UMA Engineering Ltd.
No. 256 Expiry: April 30, 2007

BID OPPORTUNITY NO. 224-2007

METRIC
WHOLE NUMBERS INDICATE MILLIMETRES
DECIMALIZED NUMBERS INDICATE METRES

EXISTING	NEW	EXISTING	NEW	EXISTING	NEW	EXISTING	NEW
NATURAL GAS	MANHOLE	CONCRETE PAVEMENT	LOCATION APPROVED	BM 65.006	DESIGNED BY	PROFESSIONAL'S SEAL	THE CITY OF WINNIPEG Winnipeg PUBLIC WORKS DEPARTMENT TRANSPORTATION ENGINEERING DIVISION
COMMUNICATION	CATCH BASIN / CATCH PIT	ASPHALT PAVEMENT	UNDERGROUND STRUCTURES	ELEV 233.988m	CHECKED BY		
HYDRO	C & G INLET WITH BOX	CONC. SIDEWALK/MEDIAN	DATE		APPROVED BY		BUFFALO PLACE OTTER STREET TO FENNEL STREET RECONSTRUCTION
CATV	TREE	PAVING STONE	NOTE:		DATE		
TRAFFIC SIGNALS	TEST HOLE	GRAVEL	LOCATION OF UNDERGROUND STRUCTURES AS SHOWN ARE BASED ON THE BEST INFORMATION AVAILABLE. BUT NO GUARANTEE IS GIVEN THAT ALL EXISTING UTILITIES ARE SHOWN OR THAT THE GIVEN LOCATIONS ARE EXACT. CONFIRMATION OF EXISTENCE AND EXACT LOCATION OF ALL SERVICES MUST BE OBTAINED FROM THE INDIVIDUAL UTILITIES BEFORE PROCEEDING WITH CONSTRUCTION.	0 ISSUED FOR CONSTRUCTION	HOR. SCALE	RELEASED FOR CONSTRUCTION	CITY DRAWING NUMBER N/A
LAND DRAINAGE SEWER	PROPERTY LINE	CURB RAMP		07/03/30	1:250	DATE	
SANITARY/COMBINED SEWER	SURVEY BAR	PAVT PLANING/REMOVAL		YYMMDD	AS SHOWN	DATE	DRAWING No. 01
SPP/DCP	FENCE			BY		DATE	
WATERMAIN	BOC/EOPAVT						
SUBDRAIN	ELEVATION						
DITCH							

EXISTING LEGEND - PLAN NEW EXISTING LEGEND - PLAN NEW EXISTING LEGEND - PLAN NEW

UMA | AECOM
© 2007 UMA ENGINEERING LTD. ALL RIGHTS RESERVED.
DESIGNED BY: RPB
DRAWN BY: KLC
HOR. SCALE: 1:250
VERT. SCALE: AS SHOWN
DATE: 07/03/30

PROFESSIONAL'S SEAL
R. P. BRUCE
CONSULTANT DRAWING NO.
0265-393-00_01-CT-1001_RX

THE CITY OF WINNIPEG
PUBLIC WORKS DEPARTMENT
TRANSPORTATION ENGINEERING DIVISION
BUFFALO PLACE
OTTER STREET TO FENNEL STREET
RECONSTRUCTION
HORIZONTAL AND VERTICAL ALIGNMENT
FROM OTTER ST TO STA 0+150