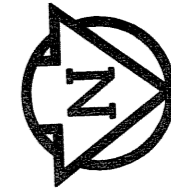


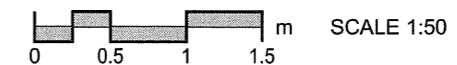
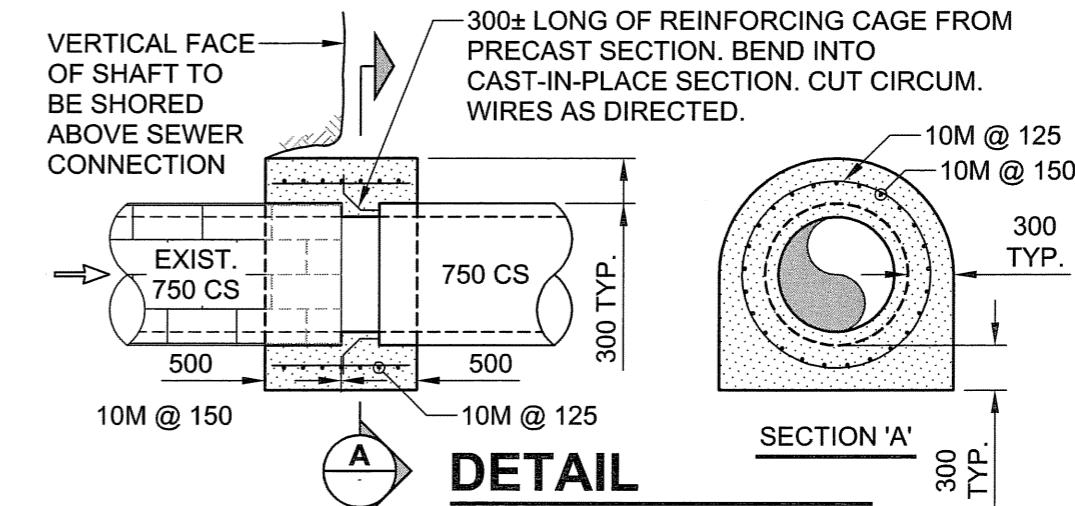
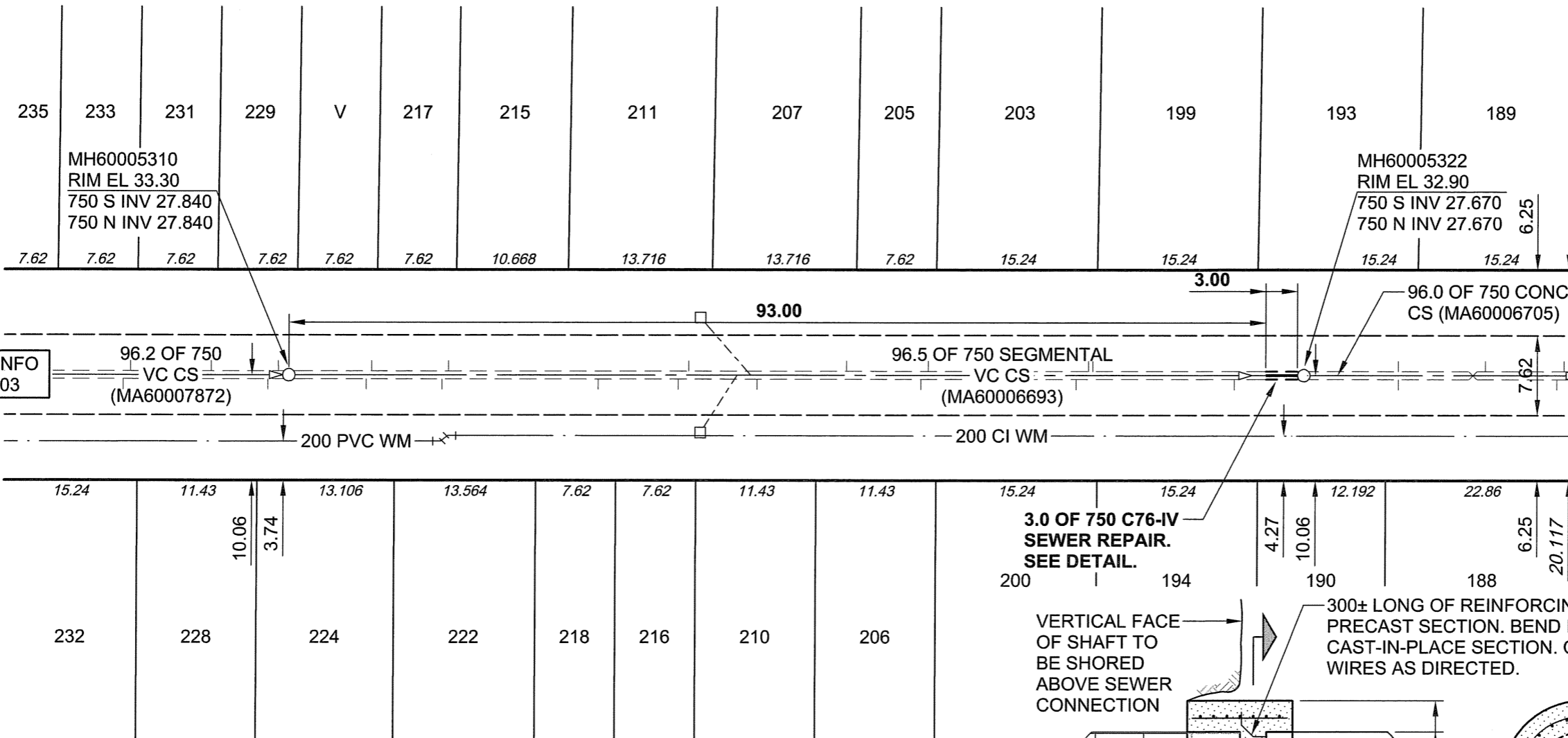
CENTENNIAL STREET



SEWER JUNCTION INFORMATION

REF. MH*	DIST FROM* REF. MH	SIZE*	CLOCK AT*
MH60005310	7.4	150Ø	02
MH60005310	7.9	150Ø	10
MH60005310	14.7	150Ø	02
MH60005310	15.3	150Ø	10
MH60005310	29.6	150Ø	02
MH60005310	37.2	150Ø	02
MH60005310	38.2	150Ø	10
MH60005310	42.8	200Ø	12
MH60005310	44.1	200Ø	12
MH60005310	44.7	150Ø	02
MH60005310	53.2	150Ø	10
MH60005310	60.3	150Ø	02
MH60005310	61.0	150Ø	10
MH60005310	75.0	150Ø	02
MH60005310	76.2	150Ø	11
MH60005310	76.6	150Ø	10
MH60005310	90.0	150Ø	02

*JUNCTION INFORMATION FROM VIDEO INSPECTION



750mmØ SEGMENTAL VITRIFIED CLAY TILE SEWER CONNECTION

BID OPPORTUNITY NO. 223-2007

WARNING

IF POWER EQUIPMENT OR EXPLOSIVES ARE TO BE USED FOR EXCAVATION ON THIS PROJECT, THE CONTRACTOR MUST:

- 1) NOTIFY THE GAS COMPANY OF THE PROPOSED LOCATION OF EXCAVATION.
- 2) TAKE PRECAUTION TO AVOID DAMAGE TO GAS COMPANY INSTALLATIONS.

SEE PROVINCIAL REGULATION 140/92 FOR DETAILS

METRIC
WHOLE NUMBERS INDICATE MILLIMETRES
DECIMALIZED NUMBERS INDICATE METRES

APEGM
Certificate of Authorization
UMA Engineering Ltd.
No. 256 Expiry: April 30, 2007

LOCATION APPROVED UNDERGROUND STRUCTURES			
SUPR. U/G STRUCTURES	DATE		
NOTE: LOCATION OF UNDERGROUND STRUCTURES AS SHOWN ARE BASED ON THE BEST INFORMATION AVAILABLE. BUT NO GUARANTEE IS GIVEN THAT ALL EXISTING UTILITIES ARE SHOWN OR THAT THE GIVEN LOCATIONS ARE EXACT. CONFIRMATION OF EXISTENCE AND EXACT LOCATION OF ALL SERVICES MUST BE OBTAINED FROM THE INDIVIDUAL UTILITIES BEFORE PROCEEDING WITH CONSTRUCTION.			
0	ISSUED FOR CONSTRUCTION	07/03/22	ADL
NO.	REVISIONS	YY/MM/DD	BY

UMA AECOM			
©2006 UMA ENGINEERING LTD. ALL RIGHTS RESERVED.			
DESIGNED BY	ALD	CHECKED BY	<i>MJR</i>
DRAWN BY	ADL	APPROVED BY	<i>[Signature]</i>
HOR. SCALE	1:500	RELEASED FOR CONSTRUCTION	<i>[Signature]</i>
VERT. SCALE	N/A	DATE	07/03/22

PROFESSIONAL'S SEAL
PROVINCE OF MANITOBA
22 MARCH 2007
C. C. MACEY
REGISTERED ENGINEER
CONSULTANT DRAWING NO. 03
D265-215-00

THE CITY OF WINNIPEG
WATER AND WASTE DEPARTMENT

2007 Watermain and Sewer Renewals
Contract 26

Centennial Street
155m North of Kingsway
to 60m South of Academy Road

SHEET 03 OF 10
CITY DRAWING NUMBER
06004
REV 0

B SIZE 11" x 17" (279mm x 432mm) PLOT: 3/22/2007 3:32:53 PM UMA FILE NAME: D265-215-00 01-C-1003 RX.dwg Saved By: atleippi

UMA AECOM REVIEW IDR [Signature]