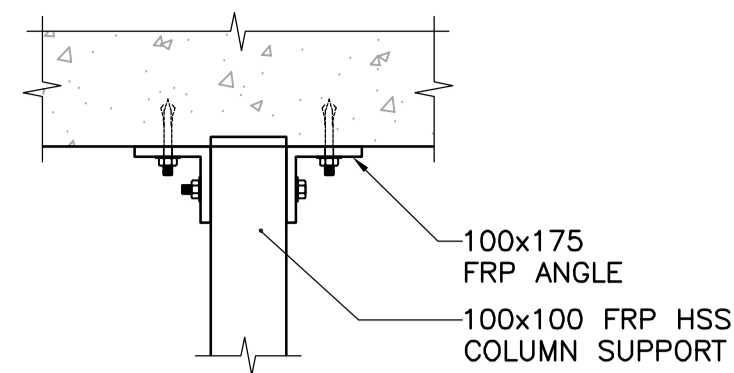
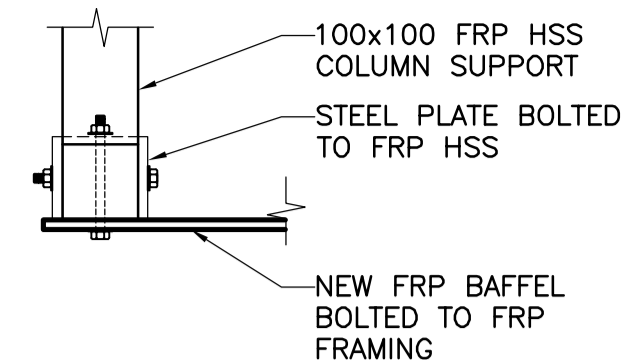


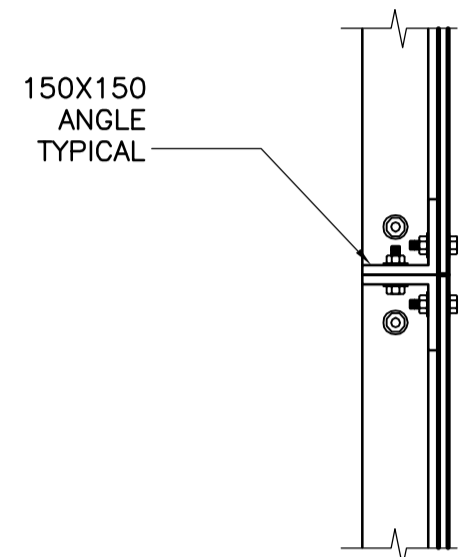
1 DETAIL
S2.03 1:10



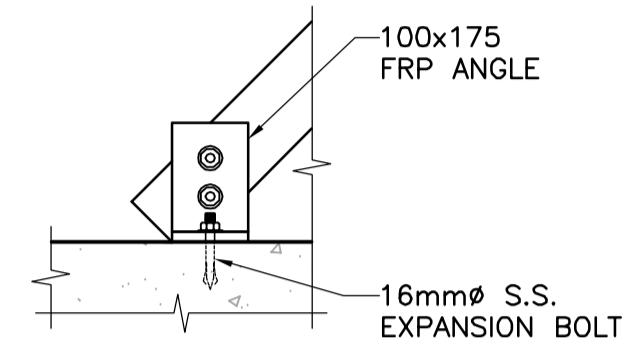
6 DETAIL
S2.03 1:10



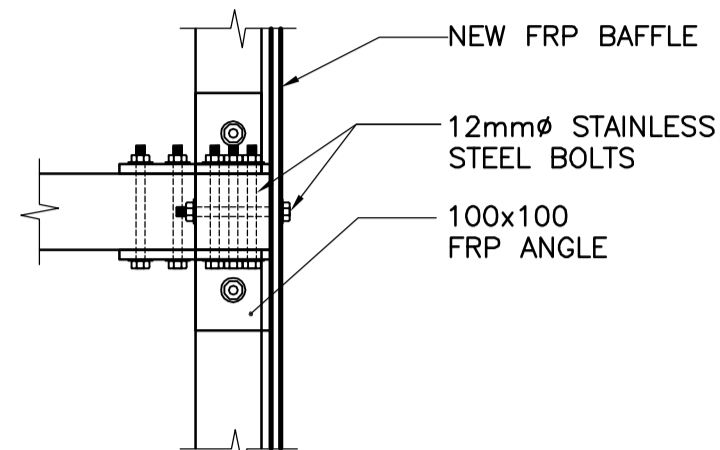
10 DETAIL
S2.03 1:10



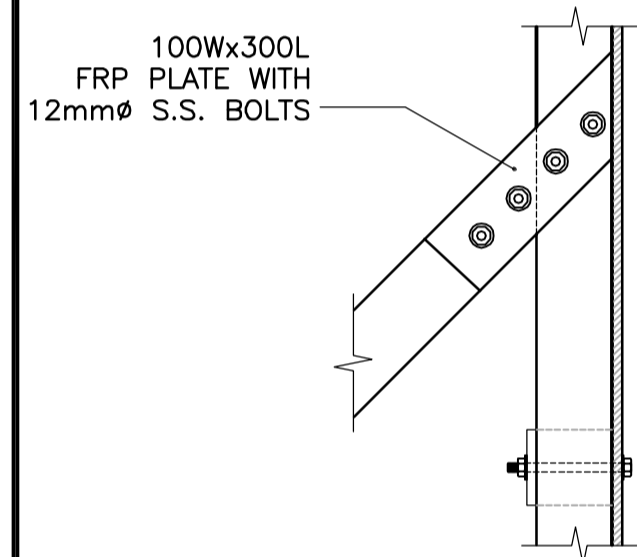
2 DETAIL
S2.03 1:10



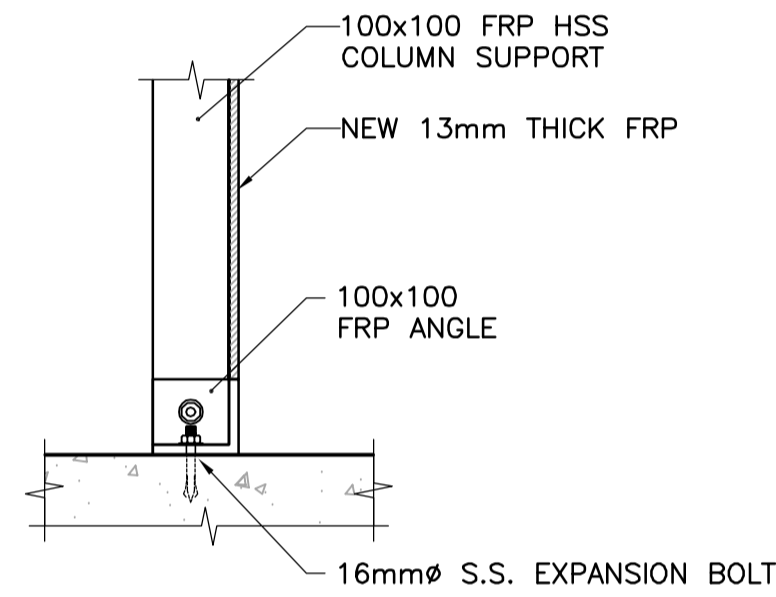
7 DETAIL
S2.03 1:10



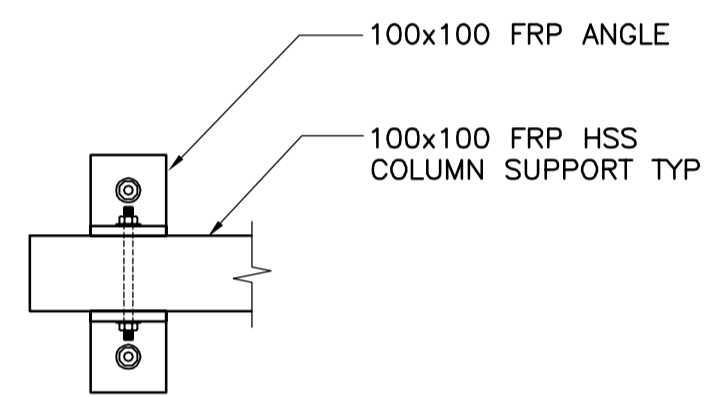
11 DETAIL
S2.03 1:10



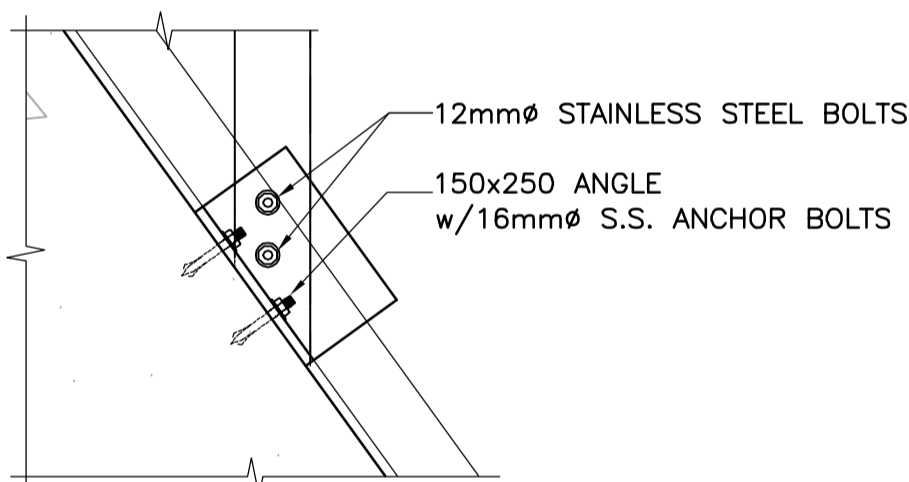
3 DETAIL
S2.03 1:10



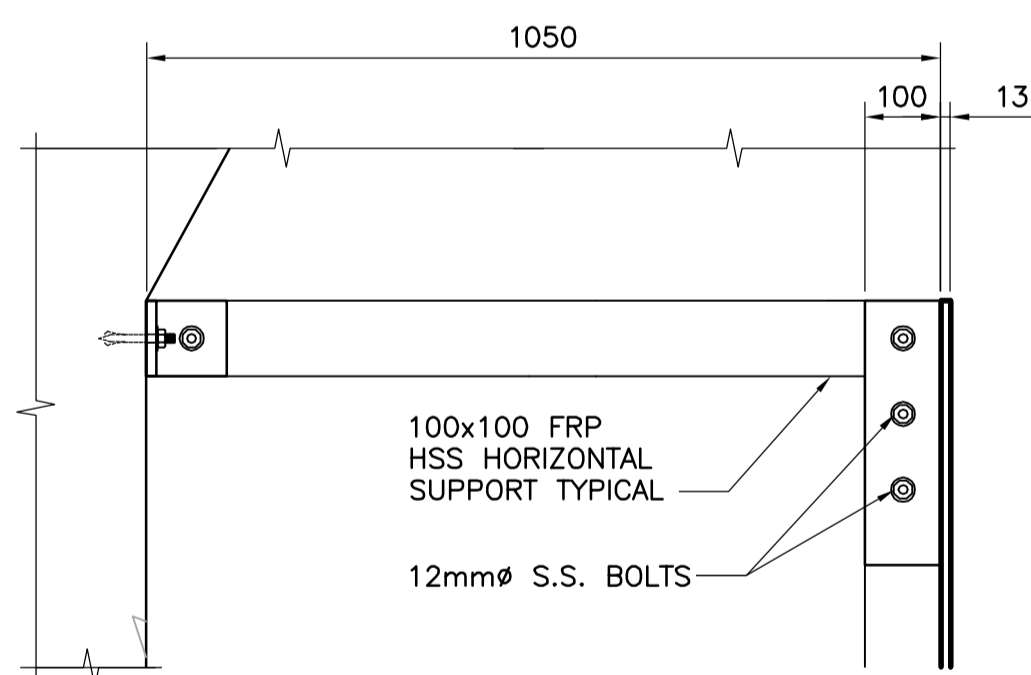
8 DETAIL
S2.03 1:10



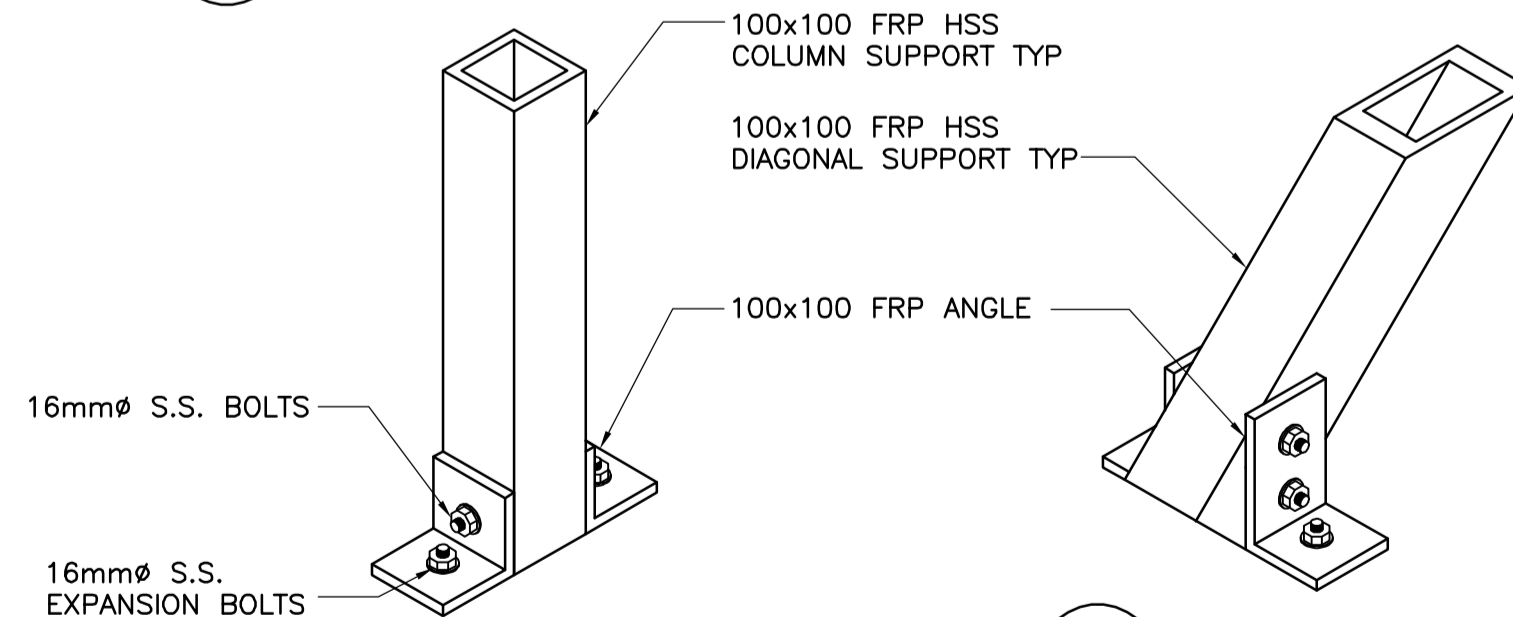
12 DETAIL
S2.03 1:10



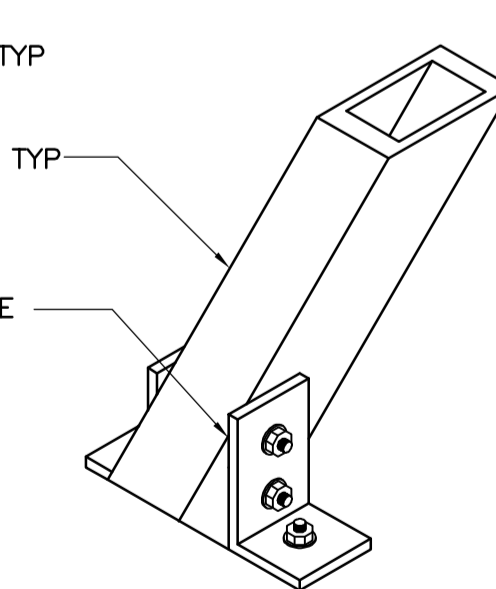
9 DETAIL
S2.03 1:10



4 DETAIL
S2.03 1:10

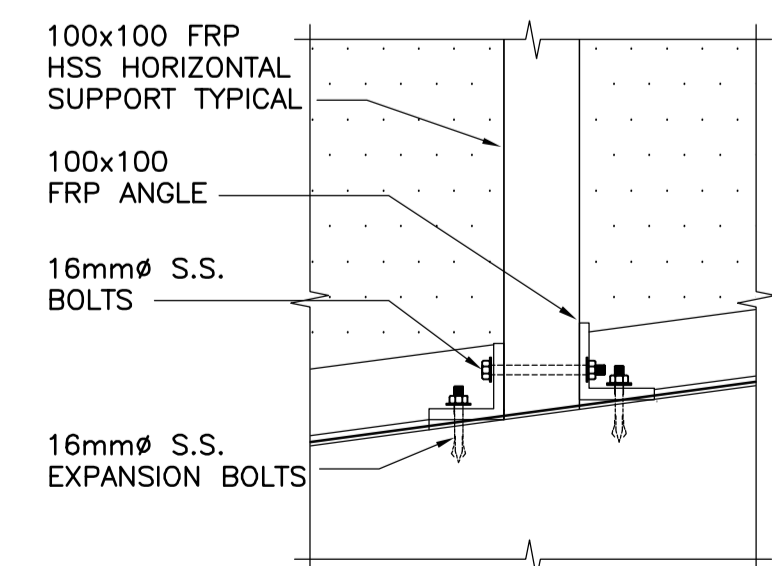


13 TYPICAL DETAIL
S2.05 N.T.S.



14 TYPICAL DETAIL
S2.05 N.T.S.

NOTE:
1. USE 16mm EXPANSION BOLTS FOR CONCRETE CONNECTION AND 12mm S.S. BOLTS FOR FRP CONNECTIONS.
2. THE FRP MEMBER SIZES & CONNECTIONS SHOWN ON THESE DRAWINGS ARE APPROXIMATE & ARE TO BE DESIGNED BY THE FABRICATOR UNDER SEAL BY A PROFESSIONAL ENGINEER REGISTERED IN THE PROVINCE OF MANITOBA.



5 DETAIL
S2.03 1:10

B.M. ELEV.			
DESIGNED BY	GGP	CHECKED BY	LLR
DRAWN BY	CMF	APPROVED BY	H.H.
HOR. SCALE:	AS NOTED	RELEASED FOR CONSTRUCTION BY:	K. MARTENS
VERTICAL SCALE:		DATE	2007/03/07
00 ISSUED FOR TENDER	07/03/07	CMF	
NO. REVISIONS	DATE	BY	
	2006/10/31		



ENGINEER'S SEAL

ORIGINAL SIGNED BY
L.L. RIDING
2007/03/07



THE CITY OF WINNIPEG
WATER AND WASTE DEPARTMENT
ENGINEERING DIVISION

NEWPCC
GRIT HANDLING UPGRADES
CONTRACT 1

CITY FILE NUMBER
SHEET OF
CITY DRAWING NUMBER

CONSULTANT DRAWING NO.
S2.05

STRUCTURAL
SUGGESTED BAFFLE DETAILS