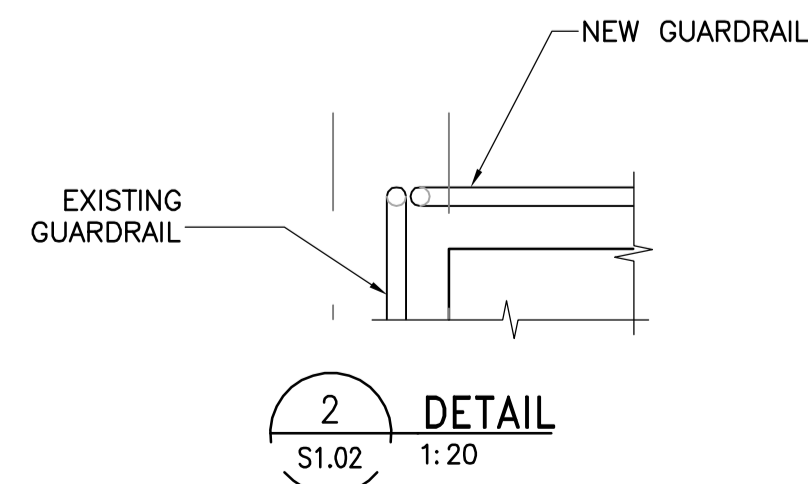


GRIT TANK - UPPER LEVEL PLAN

SCALE: 1:100

NOTE:
THE FRP MEMBER SIZES AND CONNECTIONS SHOWN ON THESE DRAWINGS ARE APPROXIMATE AND ARE TO BE DESIGNED BY THE FABRICATOR UNDER SEAL BY A PROFESSIONAL ENGINEER REGISTERED IN THE PROVINCE OF MANITOBA.



NOTE:
NEW OPENINGS IN EXISTING GUARD RAILING SHALL BE LOCATED SUCH THAT ONE SIDE OF THE NEW OPENING IS AT AN EXISTING VERTICAL POST LOCATION.

B.M. ELEV.					
00	ISSUED FOR TENDER	07/03/07	CMF		
NO.	REVISIONS	DATE	BY	DATE	2006/10/24

EarthTech
A Tyco International Ltd. Company

DESIGNED BY	GGP	CHECKED BY	LLR
DRAWN BY	CMF	APPROVED BY	H.H.
HOR. SCALE:	AS NOTED	RELEASED FOR CONSTRUCTION BY:	K. MARTENS
VERTICAL SCALE:		DATE	2007/03/07

ENGINEER'S SEAL
ORIGINAL SIGNED BY
L.L. RIDING
2007/03/07
CONSULTANT DRAWING NO.
S1.02

THE CITY OF WINNIPEG
WATER AND WASTE DEPARTMENT
ENGINEERING DIVISION

Winnipeg

NEWPCC
GRIT HANDLING UPGRADES
CONTRACT 1
STRUCTURAL
MAIN LEVEL FLOOR PLAN

CITY FILE NUMBER	
SHEET	OF
CITY DRAWING NUMBER	