

FIG. 1 FLOOR MOUNTED

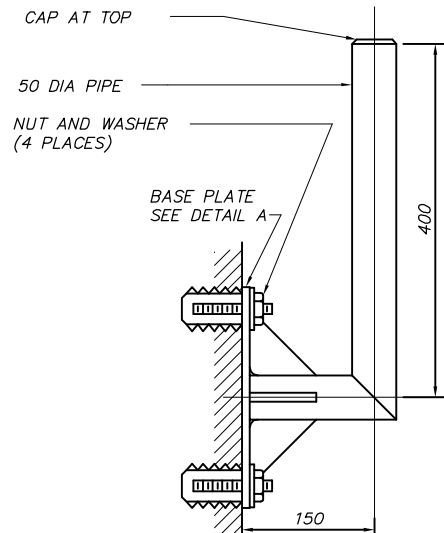


FIG. 2 WALL MOUNTED

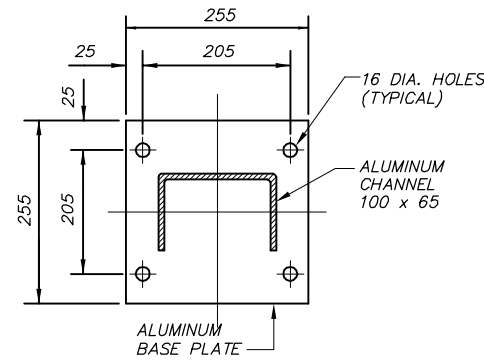


FIG. 1 BASE PLATE

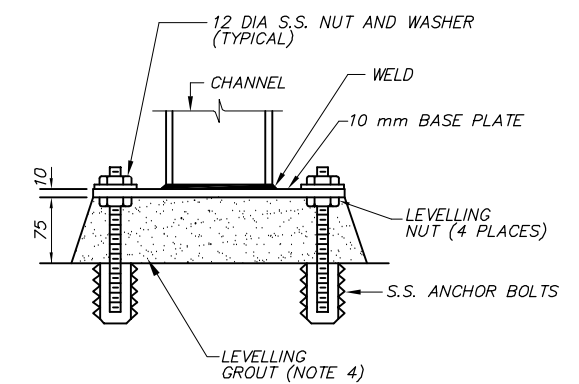


FIG. (a) DETAIL 'A'

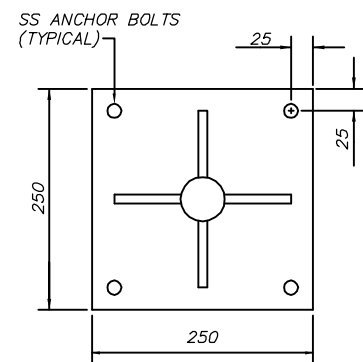


FIG. (a) DETAIL 'A' MOUNTING PLATE

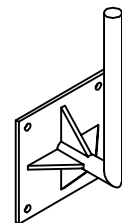


FIG. (b) WALL MOUNTED ISOMETRIC VIEW

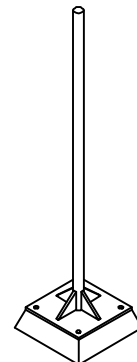


FIG. (c) FLOOR MOUNTED ISOMETRIC VIEW

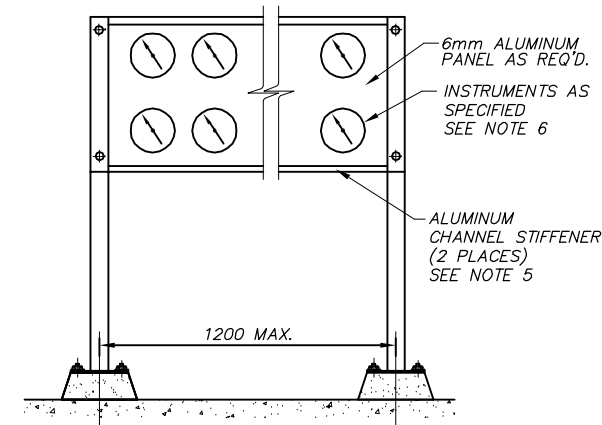


FIG. (b) FRONT VIEW

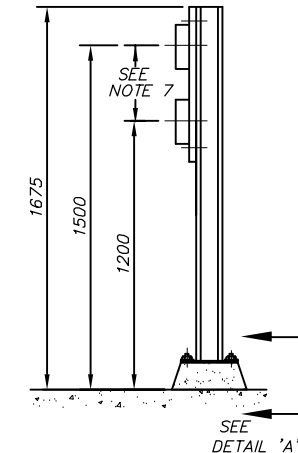


FIG. (c) SIDE VIEW

NOTES:

- PIPE AND MOUNTING PLATE TO BE FABRICATED OF COPPER-FREE ALUMINUM.
- TOP OF PIPE TO BE 1400 (NOMINAL) ABOVE SERVICE FLOOR.
- GROUTING TO BE POURED ONCE FLOOR MOUNT STAND POSITIONED PLUMBED AND FASTENED IN PLACE.

ISD 09 TYPICAL INSTRUMENTATION MOUNTING DETAIL "A"

NOTES:

- GROUTING TO BE POURED ONCE FLOOR MOUNT STAND POSITIONED PLUMBED AND FASTENED IN PLACE.
- PROVIDE ALUMINUM CHANNEL STIFFENERS AS REQUIRED, WELD STIFFENER TO PANEL.
- SEE INSTALLATION DETAILS FOR MOUNTING OF INSTRUMENTS.
- MOUNT INSTRUMENTS SUCH THAT INDICATION OR ADJUSTMENTS ARE 1200mm TO 1500mm ABOVE FLOOR.

ISD 10 TYPICAL INSTRUMENTATION MOUNTING DETAIL "B"

<p>Certificate of Authorization Earth Tech Canada Inc. No. 730 Expiry: April 30, 2007</p>	B.M. ELEV.	<p>A Tyco International Ltd. Company</p>	ENGINEER'S SEAL	<p>THE CITY OF WINNIPEG WATER AND WASTE DEPARTMENT ENGINEERING DIVISION</p>		
			DESIGNED BY EM		CHECKED BY CGL	ORIGINAL SIGNED BY Q. MENG
			DRAWN BY GLG		APPROVED BY HH	2007/01/26
			HOR. SCALE: AS NOTED VERTICAL SCALE:		RELEASED FOR CONSTRUCTION BY: K. MARTENS	CONSULTANT DRAWING NO. P8.01
	ISSUED FOR TENDER 07/01/26 GLG	DATE 2006/11/16	DATE 2007/01/26	NEWPCC GRIT HANDLING UPGRADES CONTRACT 1		
	NO. REVISIONS	DATE	DATE	PROCESS STANDARD DETAILS 1 SHEET 1 OF 2		