

INSTRUMENT LOOP DIAGRAM

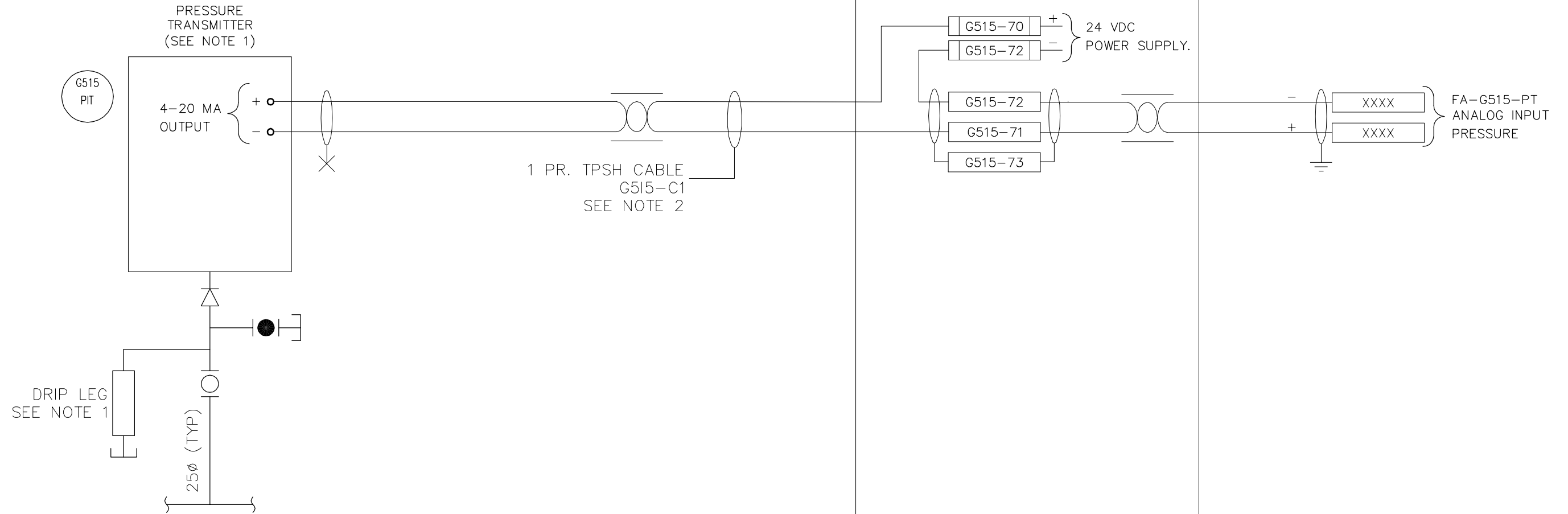
LOOP NO. G515

FIELD PROCESS AREA

FIELD DEVICE PANEL

DCS

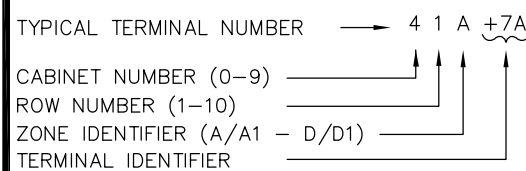
REFER TO DCS TERMINAL NUMBERING LEGEND BELOW



NOTES:

1. MOUNT TRANSMITTER 1.6m ABOVE FINISHED FLOOR USING A 50mm PIPE STAND. SLOPE SENSOR PIPING TO PROMOTE DRAINAGE AND INSTALL A DRIP LEG AT THE LOWEST POINT.
2. WIRING METHODS IN GRIT TANK ROOM TO BE SUITABLE FOR CLASS 1 ZONE 1 HAZARDOUS AREA.

DCS TERMINAL NUMBERING



Earth Tech (Canada) Inc. Winnipeg, Manitoba 204.477.5381



THE CITY OF WINNIPEG
WATER AND WASTE DEPARTMENT
 NEWPCC - GRIT REMOVAL SYSTEM UPGRADE

07/01/26	ISSUED FOR TENDER	BL
DATE	REVISION	APP.

TYPICAL INSTRUMENT LOOP DIAGRAM
 PRESSURE TRANSMITTER

SCALE AS NOTED
 DATE 2006/11/10
 DES BL DWN SRP
 CKD APP

DRAWING NO.
 ILD-01