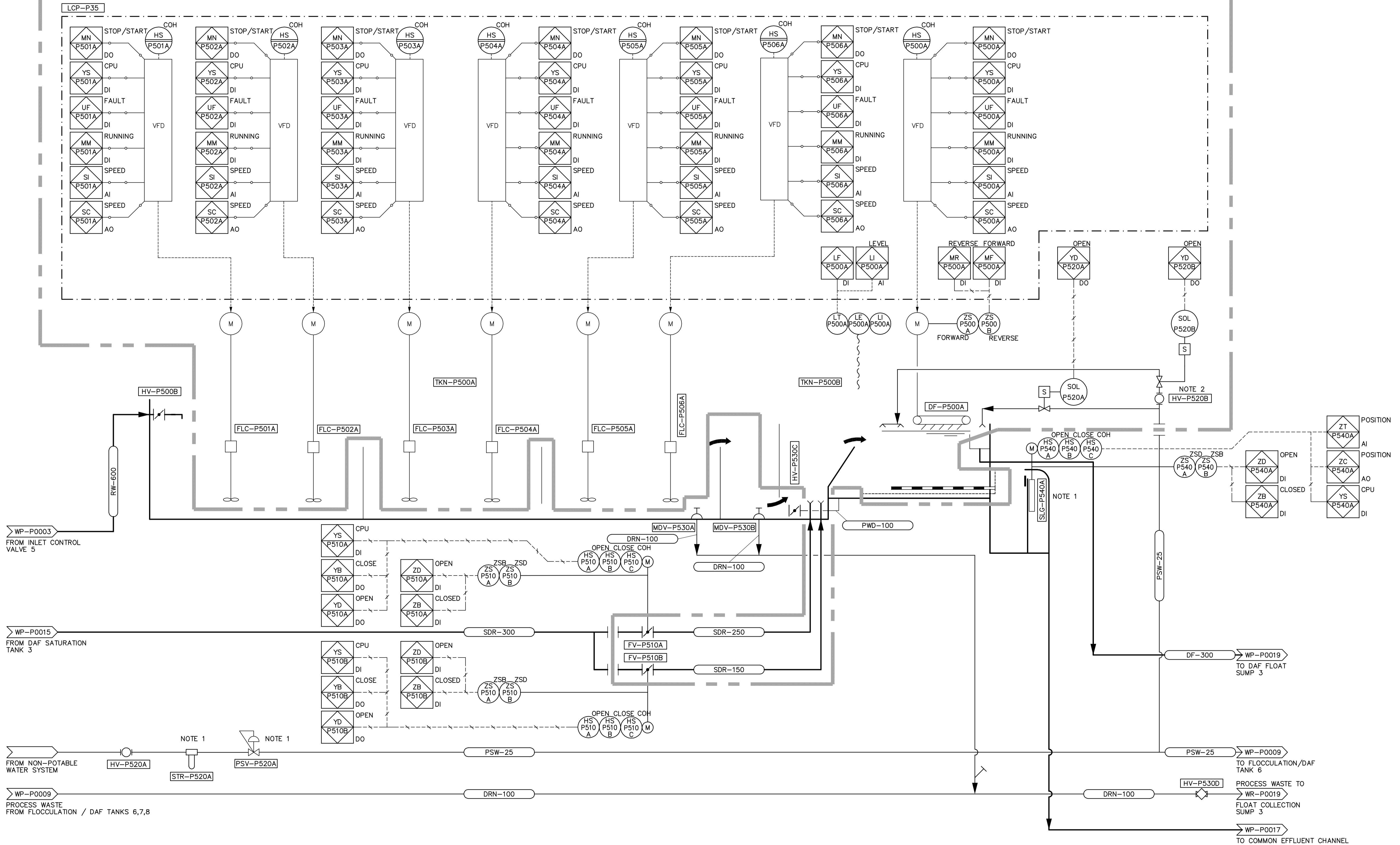


SUPPLY CONTRACTOR PACKAGE



- NOTES:
1. GATE, STRAINER, PRESSURE REGULATOR ARE PART OF VENDOR PACKAGE.
 2. BALL VALVE NOT PART OF LEOPOLD'S SCOPE OF SUPPLY.

APEGM
 Certificate of Authorization
 Earth Tech Canada Inc.
 No. 730 Expiry: April 30, 2006

B.M. ELEV.			
DESIGNED BY	KAS	CHECKED BY	SMB
DRAWN BY	LAE	APPROVED BY	AHL
SCALE:	NONE	RELEASED FOR CONSTRUCTION BY:	R. SOROKOWSKI
01 ISSUED FOR CONSTRUCTION	06/07/28	JBC	
00 ISSUED FOR TENDER	06/03/29	LAE	
NO. REVISIONS	DATE	BY	DATE
	2005/02/16		2006/03/29

CH2M HILL
 Frederickson Cooper ARCHITECTS

EarthTech
 A Tech International Ltd. Company

ENGINEER'S SEAL
 ORIGINAL SIGNED BY
 S.M. BREESE
 2006/03/29

CONSULTANT DRAWING NO.
 WP-P0008

THE CITY OF WINNIPEG
 WATER AND WASTE DEPARTMENT
 ENGINEERING DIVISION

WATER TREATMENT PLANT
 FLOCCULATION AND DAF
 MECHANICAL AND ELECTRICAL

PROCESS
 FLOCCULATION/DAF TANK 5
 PROCESS AND INSTRUMENTATION DIAGRAM

CITY FILE NUMBER
 SHEET OF

CITY DRAWING NUMBER
 1-0601P-G-P0008-001-01D