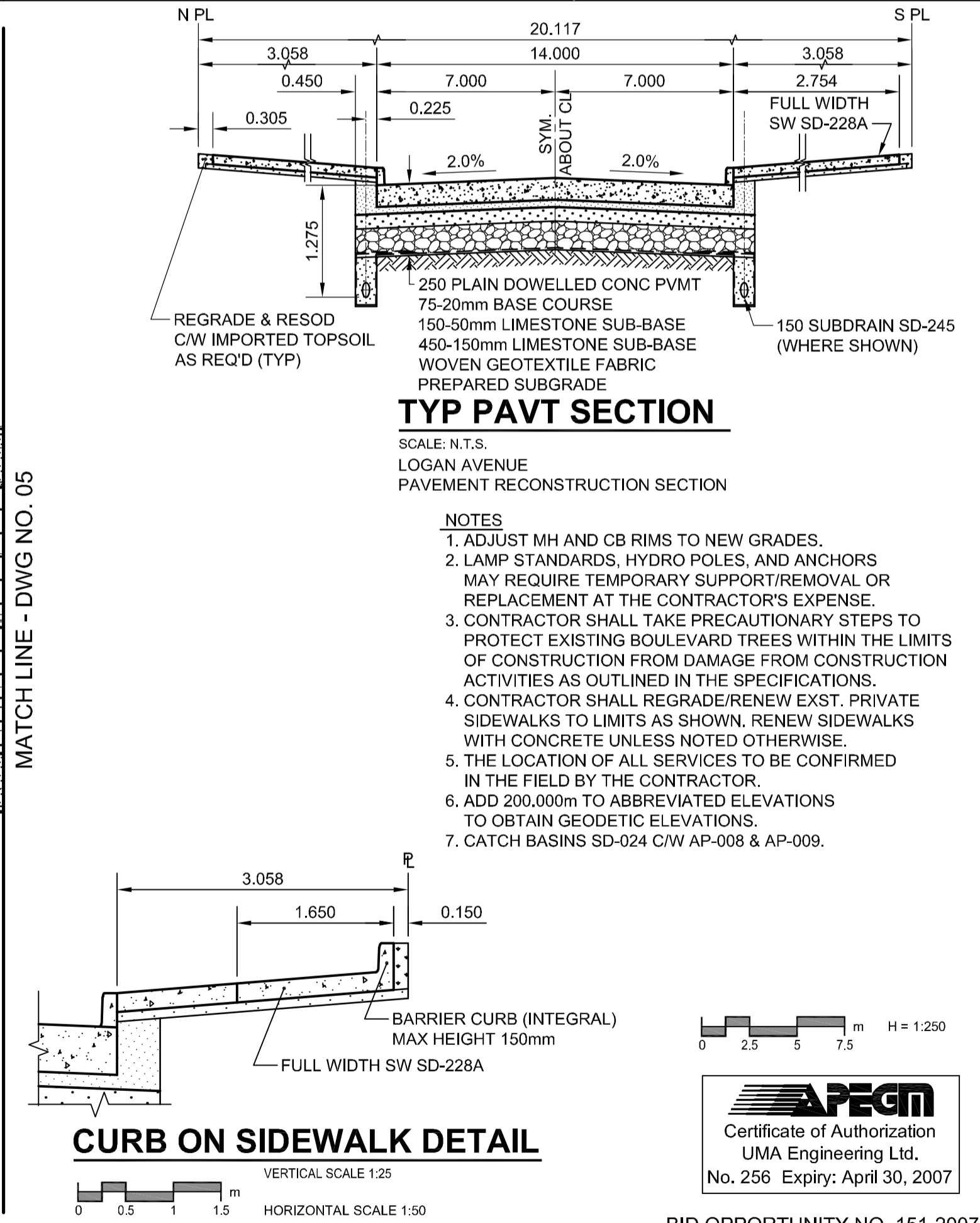
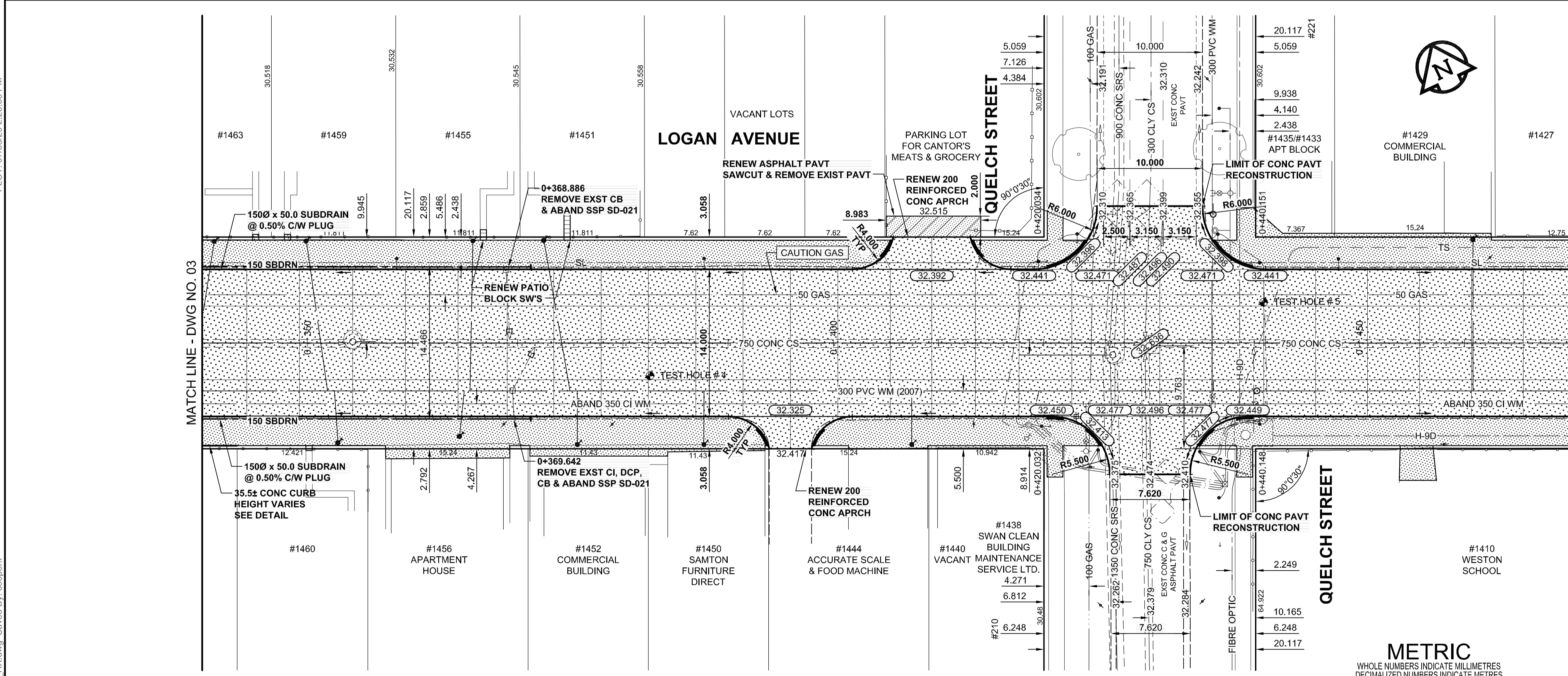
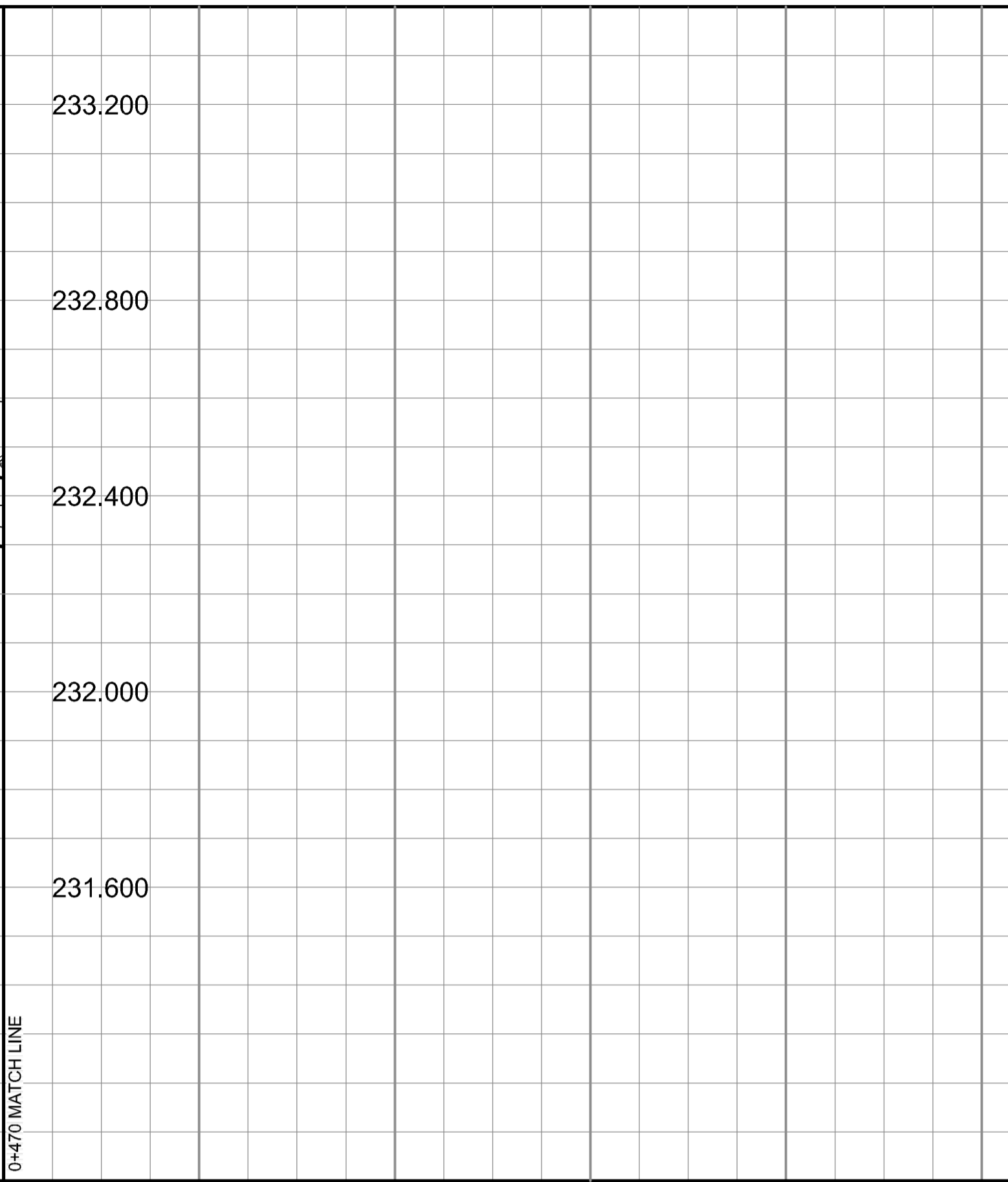
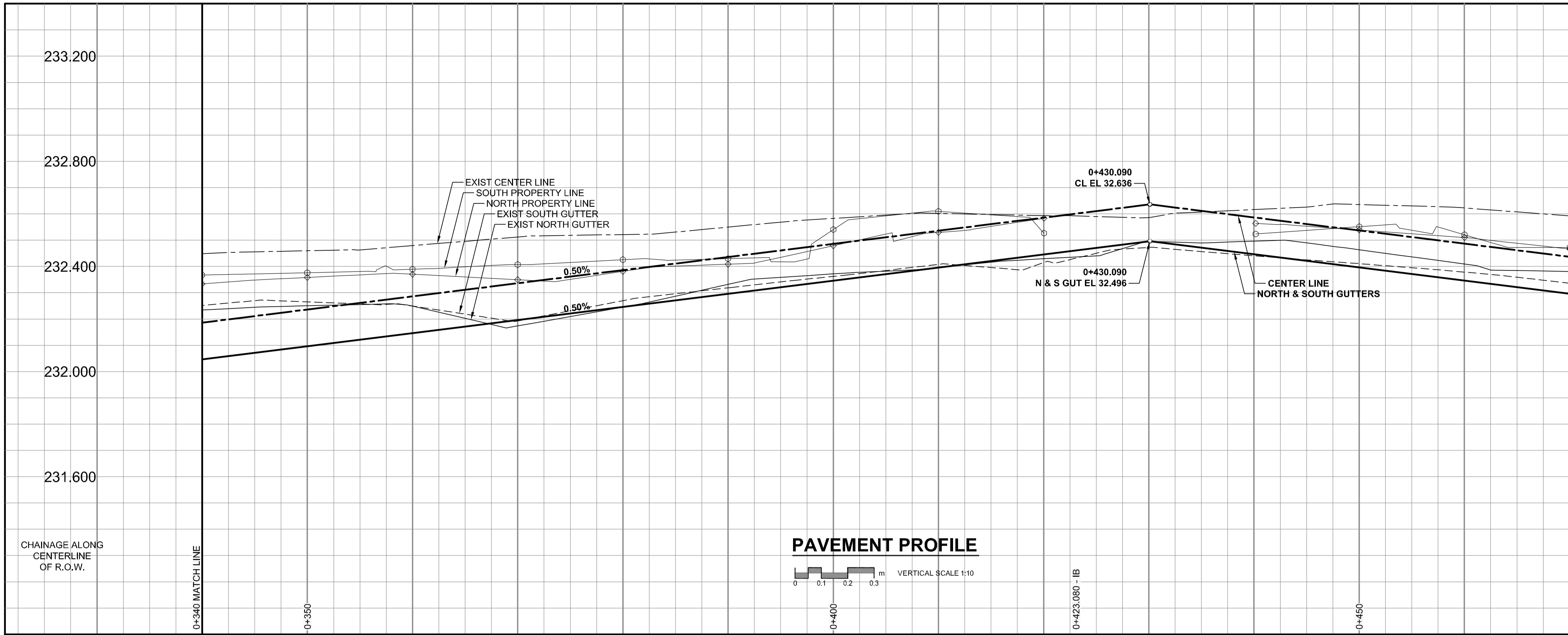


A1 SIZE 23.4" x 33.1" (594mm x 841mm)

PLOT: 07/03/20 2:25:58 PM

UMA/AECOM REVIEW DRFT CHK RZ
UMA FILE NAME: 0265-394-00_01-CT1004_RX.dwg Saved By: cooperk



EXISTING	LEGEND - PLAN	NEW	EXISTING	LEGEND - PLAN	NEW	EXISTING	LEGEND - PLAN	NEW
○	GAS	○	MANHOLE	●	CONCRETE PAVEMENT	▨	ASPHALT PAVEMENT	▨
□	COMMUNICATION	□	CATCH BASIN / CATCH PIT	■	CONC. SIDEWALK/MEDIAN	▨	CONC. SIDEWALK/MEDIAN	▨
—	HYDRO	△	CURB INLET WITH BOX	▲	PAVING STONE	▨	PAVING STONE	▨
—	CATV	○	TREE	○	GRAVEL	▨	GRAVEL	▨
—	TRAFFIC SIGNALS/PIT	⊕	TEST HOLE	—	RAMP CURB	▨	RAMP CURB	▨
—	LAND DRAINAGE SEWER	⊕	PROPERTY LINE	—	PAVT PLANING/REMOVAL	▨	PAVT PLANING/REMOVAL	▨
—	SANITARY/COMBINED SEWER	⊕	SURVEY BAR	—				
—	SSP/DCP	—	FENCE	—				
—	WATERMAIN	—	BOC/EOPAVT	—				
—	SUBDRAIN	—	ELEVATION	—				
—	DITCH	—	TRAFFIC SIGN	—				

LOCATION APPROVED
UNDERGROUND STRUCTURES
DATE: 07/03/20
SUPERVISOR: [Signature]
DATE: 07/03/20

NOTE:
LOCATION OF UNDERGROUND STRUCTURES AS SHOWN ARE BASED ON THE BEST INFORMATION AVAILABLE. BUT NO GUARANTEE IS GIVEN THAT ALL EXISTING UTILITIES ARE SHOWN OR THAT THE GIVEN LOCATIONS ARE EXACT. CONFIRMATION OF EXISTENCE AND EXACT LOCATION OF ALL SERVICES MUST BE OBTAINED FROM THE INDIVIDUAL UTILITIES BEFORE PROCEEDING WITH CONSTRUCTION.

BM 36-025
ELEV 232.913m

0 ISSUED FOR CONSTRUCTION 07/03/23 DID
NO. REVISIONS YYMMDD BY DATE

UMA AECOM

DESIGNED BY: WRS
DRAWN BY: DD

CHECKED BY: RRP
APPROVED BY: [Signature]

RELEASER FOR CONSTRUCTION: [Signature]

HOR. SCALE 1:250
VERT. SCALE 1:10

DATE: 07/03/23

PROFESSIONAL'S SEAL
PROVINCE OF MANITOBA
REGISTERED PROFESSIONAL ENGINEER
R. P. BRUCE

CONSULTANT DRAWING NO.
0265-394-00_01-CT1004_RX.dwg

THE CITY OF WINNIPEG
PUBLIC WORKS DEPARTMENT
TRANSPORTATION ENGINEERING DIVISION

**LOGAN AVENUE
BLAKE STREET TO
WESTON STREET
STREET RECONSTRUCTION**
HORIZONTAL AND VERTICAL ALIGNMENT
FROM STA 0+340 TO STA 0+470

CITY DRAWING NUMBER: P-3273-04
SHEET 4 OF 7
DRAWING No. 04
REV 0

BID OPPORTUNITY NO. 151-2007