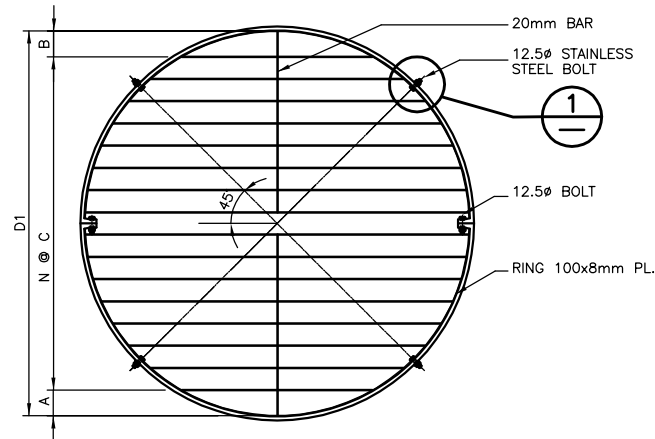


END CONDITION '1'
SCALE: N.T.S.

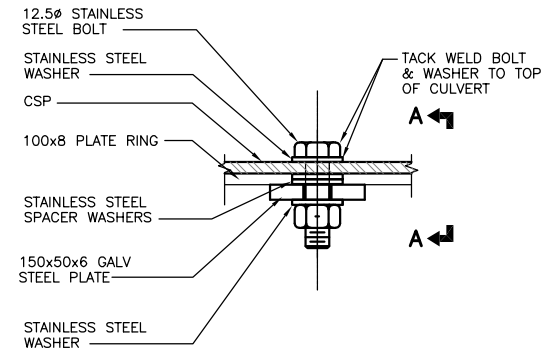


GRATING TYPE 'Y'
SCALE: N.T.S.

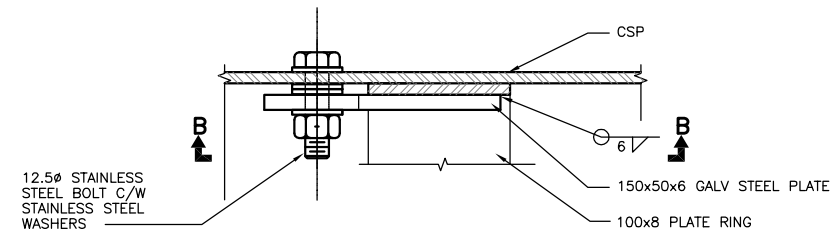
OUTFALL DEBRIS GRATING											
LOCATION	PIPE		END CONDITION	GRATING							WEIGHT (lbs)
	DIAMETER D	MATERIAL		DIAMETER D1	TYPE	BAR DIA.	A	B	C	N	
PLAZA DR (RR-22)	2400	SPCSP	1	2385±	Y	25	145	140	150	14	355

- NOTE:
 1. ALL PLATES AND BARS TO BE CSA G40.21-300W.
 2. ALL COMPONENTS TO BE GALVANIZED.
 3. ALL BOLTS TO BE TYPE 316 STAINLESS STEEL CONFORMING TO ASTM A320 GRADE B8M

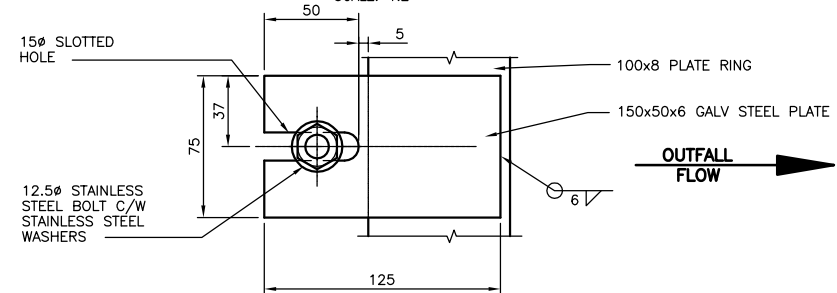
STANDARD GRATING AND END CONDITION DETAILS



1 DETAIL
SCALE: 1:2



SECTION A-A
SCALE: 1:2



SECTION B-B
SCALE: 1:2

METRIC
 WHOLE NUMBERS INDICATE MILLIMETRES
 DECIMALIZED NUMBERS INDICATE METRES



No. 245 Expiry: April 30, 2007

LOCATION APPROVED UNDERGROUND STRUCTURES

SUPV. U/G STRUCTURES COMMITTEE DATE

NOTE:
 LOCATION OF UNDERGROUND STRUCTURES AS SHOWN ARE BASED ON THE BEST INFORMATION AVAILABLE BUT NO GUARANTEE IS GIVEN THAT ALL EXISTING UTILITIES ARE SHOWN OR THAT THE GIVEN LOCATIONS ARE EXACT. CONFIRMATION OF EXISTENCE AND EXACT LOCATION OF ALL SERVICES MUST BE OBTAINED FROM THE INDIVIDUAL UTILITIES BEFORE PROCEEDING WITH CONSTRUCTION.

NO.	REVISIONS	DATE	BY
0	ISSUED FOR CONSTRUCTION	12/01/07	RJH

KGS GROUP
 CONSULTING ENGINEERS & PROJECT MANAGERS
 WINNIPEG (204) 896-1209
 THUNDER BAY (807) 345-2233

DESIGNED BY: RO	CHECKED BY: RJH
DRAWN BY: DW	APPROVED BY:
HOR. SCALE: AS NOTED	RELEASED FOR CONSTRUCTION: DATE
VERTICAL:	
DATE: 19/12/06	

ENGINEER'S SEAL

 CONSULTANT DRAWING NO. 06-0107-23

THE CITY OF WINNIPEG
 WATER & WASTE DEPARTMENT

PLAZA DRIVE OUTFALL RENEWAL

DEBRIS GRATE DETAILS

SHEET 02 OF 03
 CAD FILE DRAWING NUMBER 06-0107-23
 CITY DRAWING NUMBER LD-3472

2006\06-0107-23\MINI\DWGS\PLAZA OUTFALL (RR-22)\DWGS\DETAILS-PL01.DWG

COWLEGEND