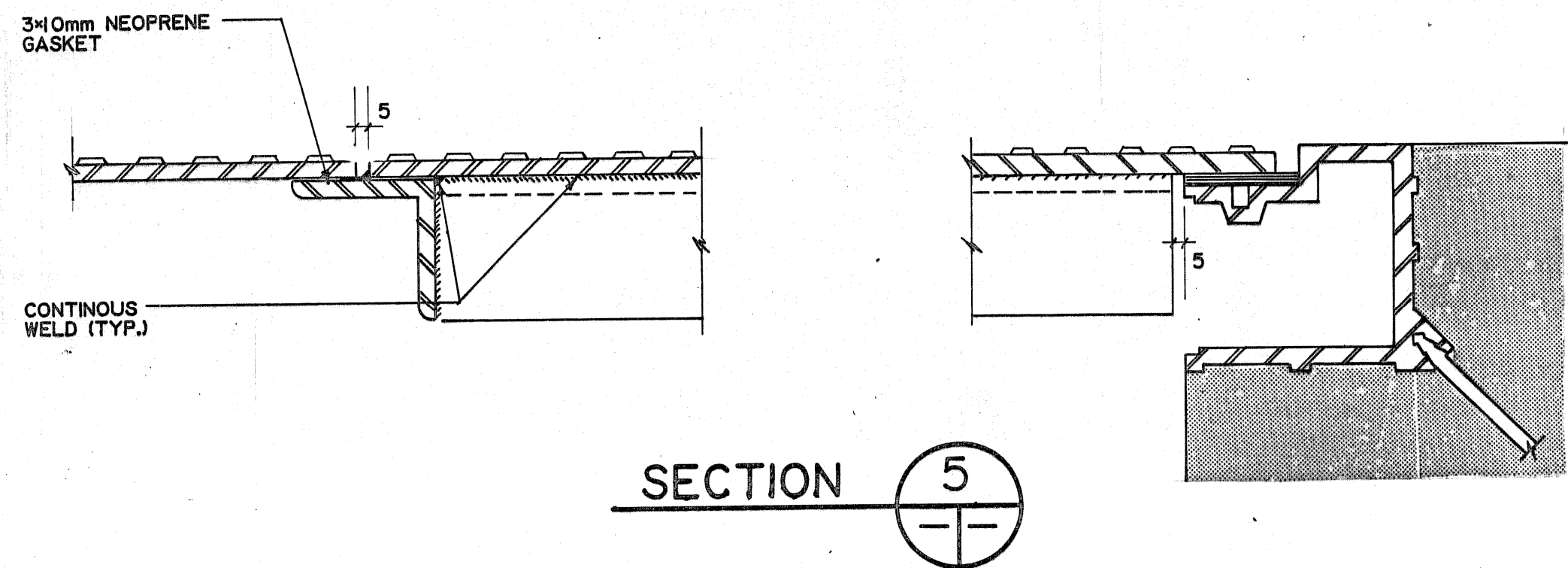
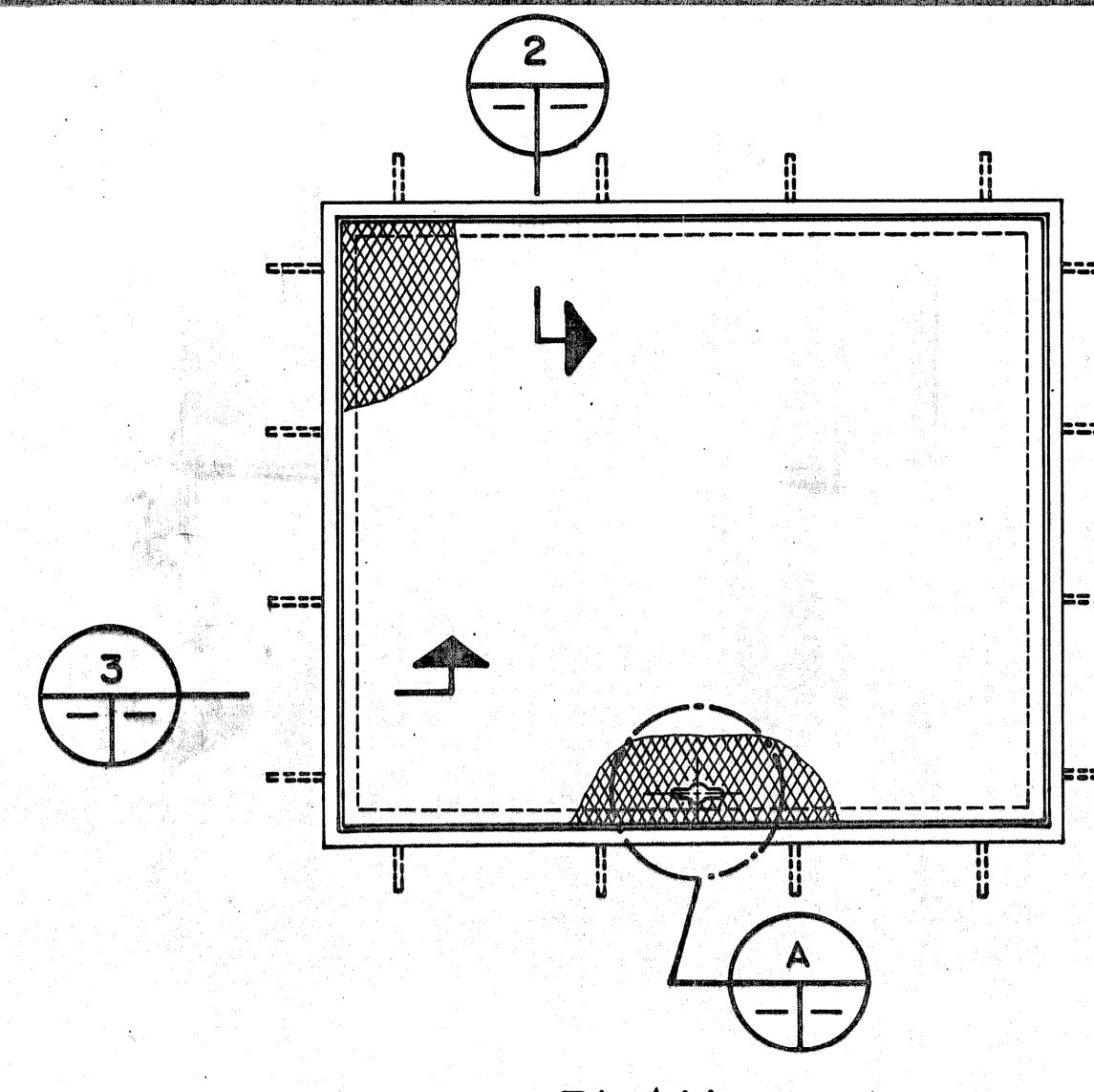


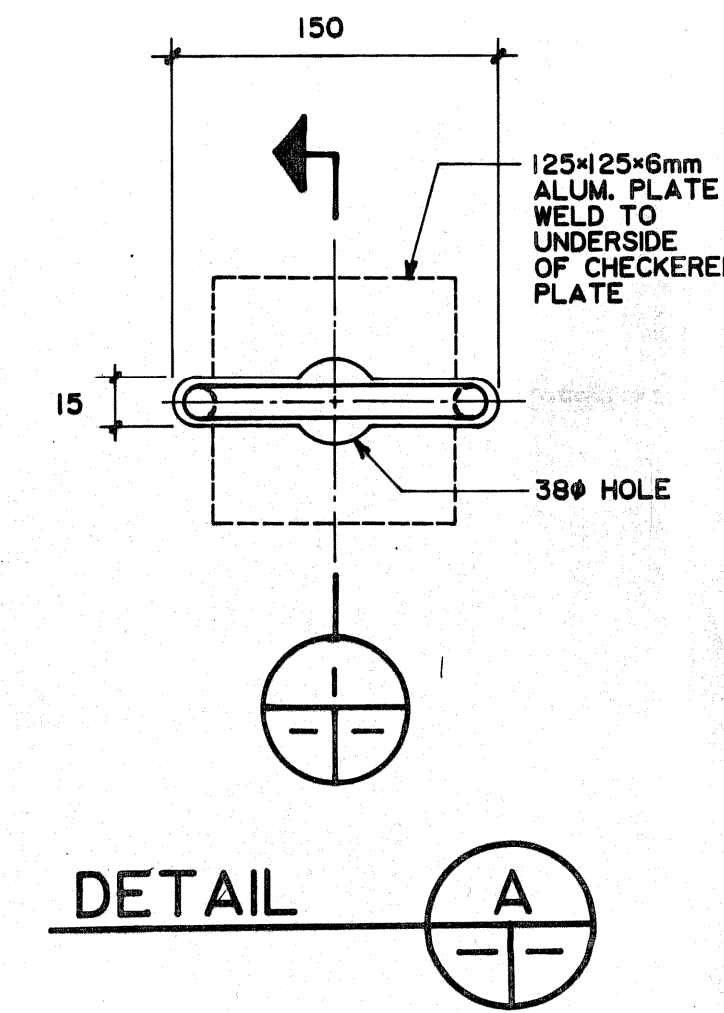
SUMP PIT COVER PLAN



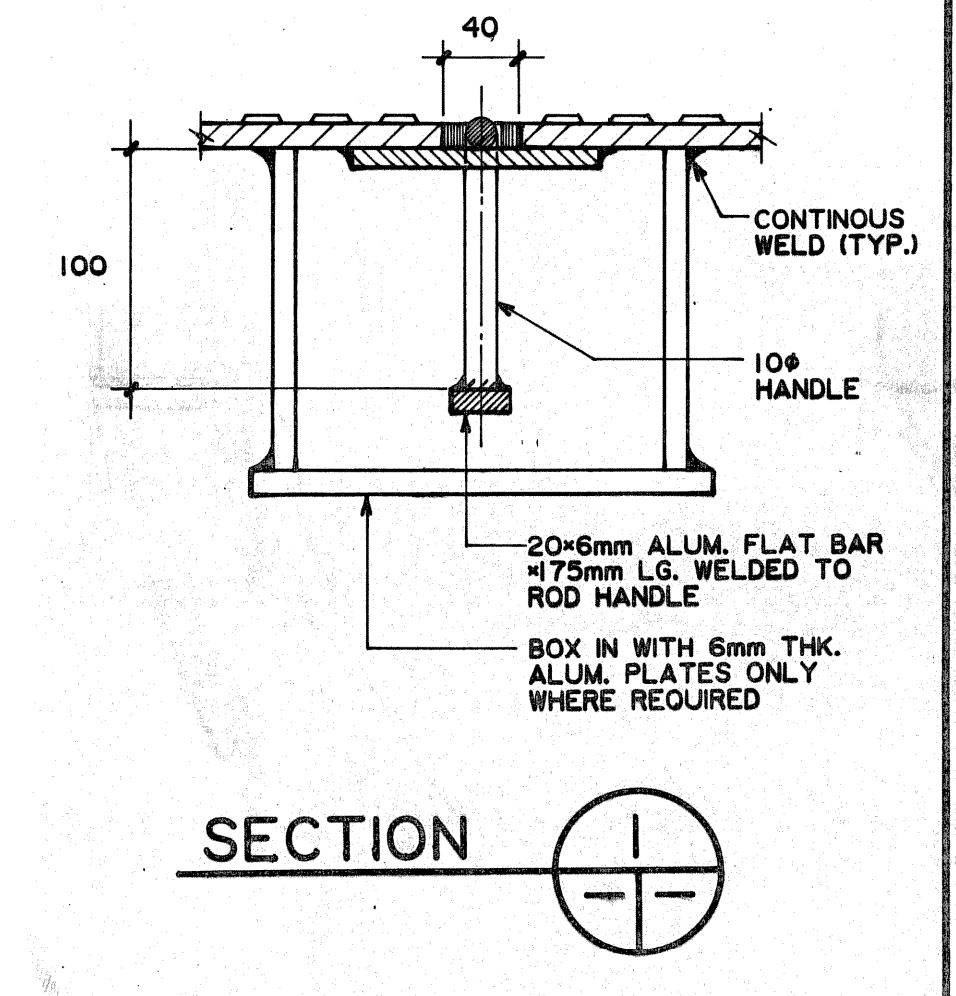
SECTION 5



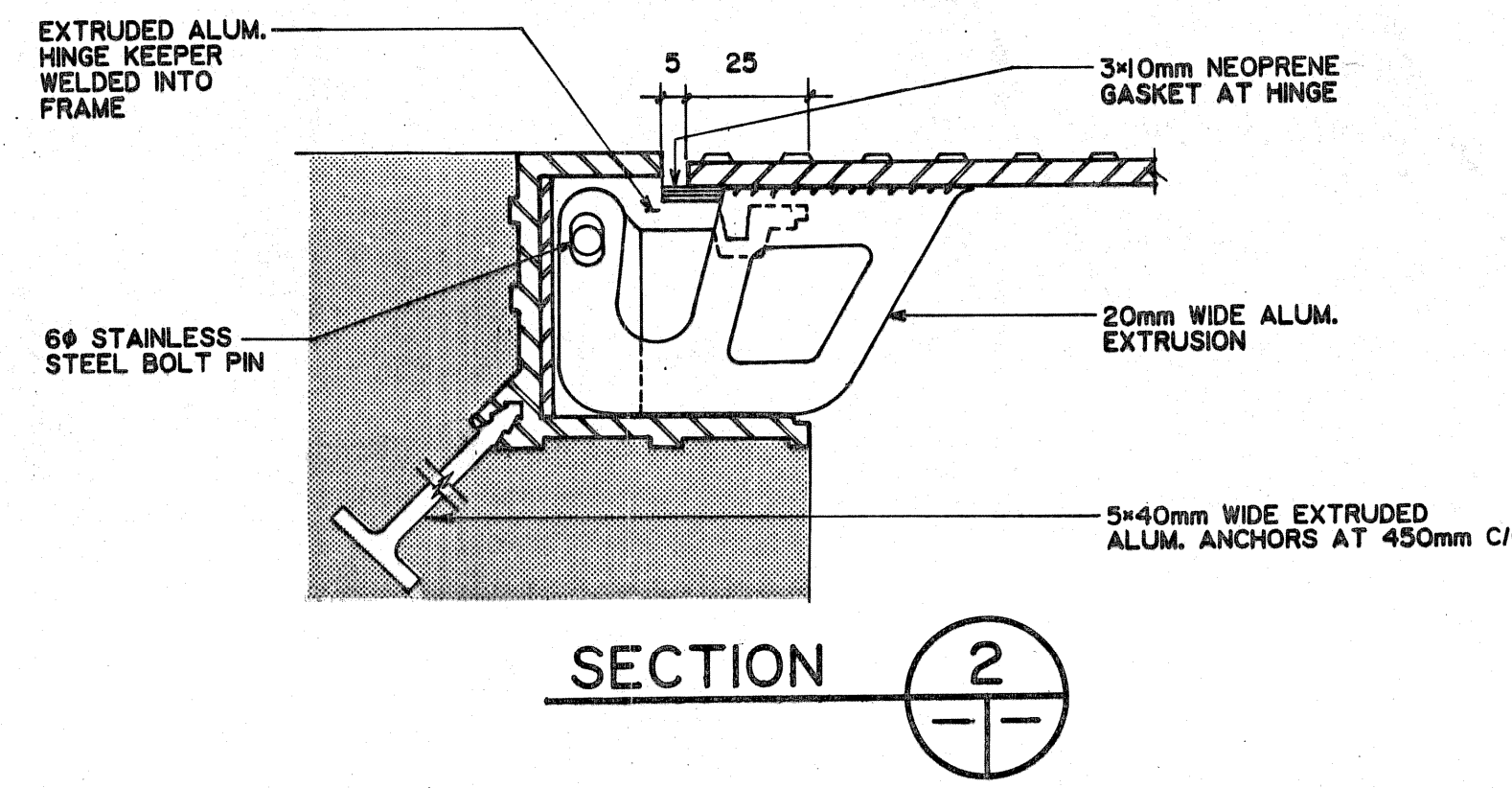
PLAN



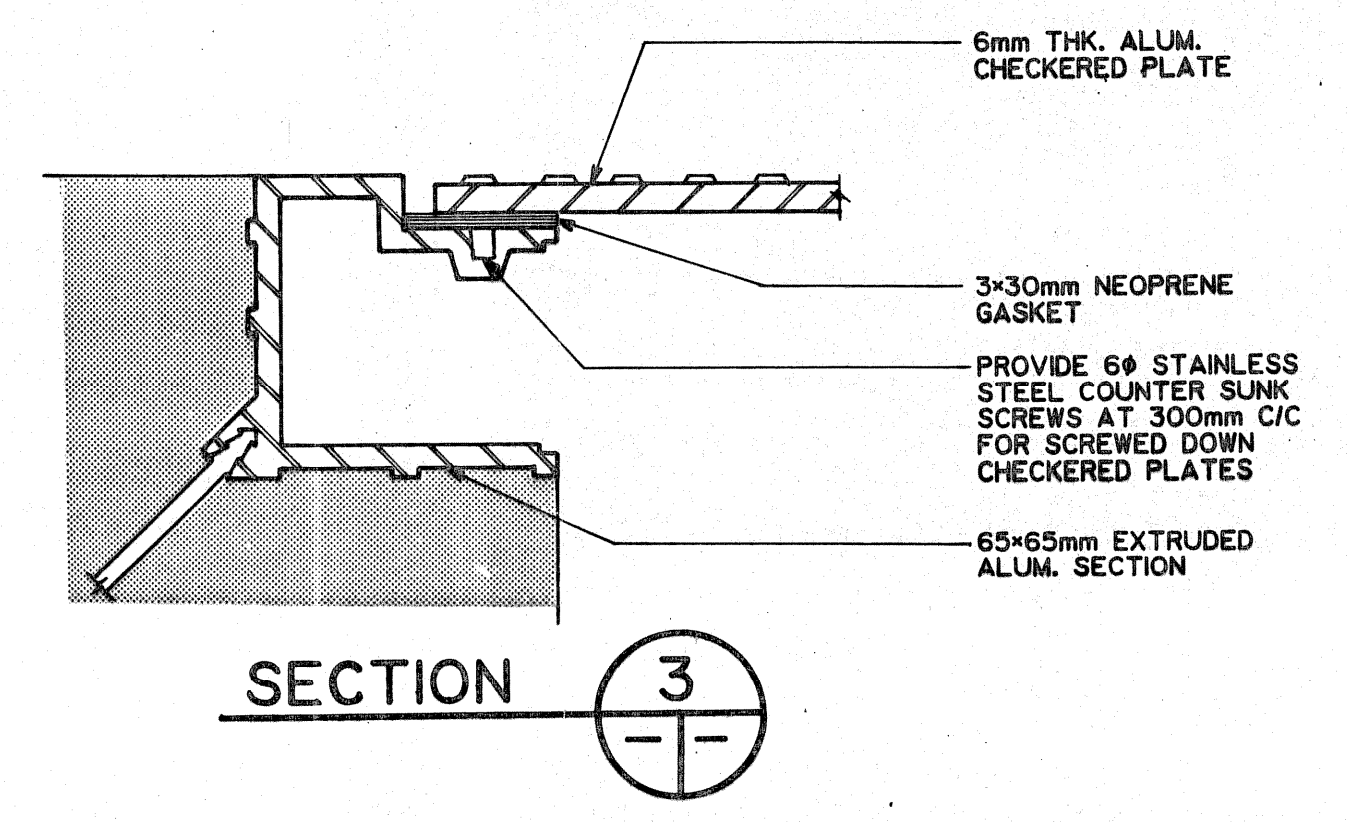
DETAIL A



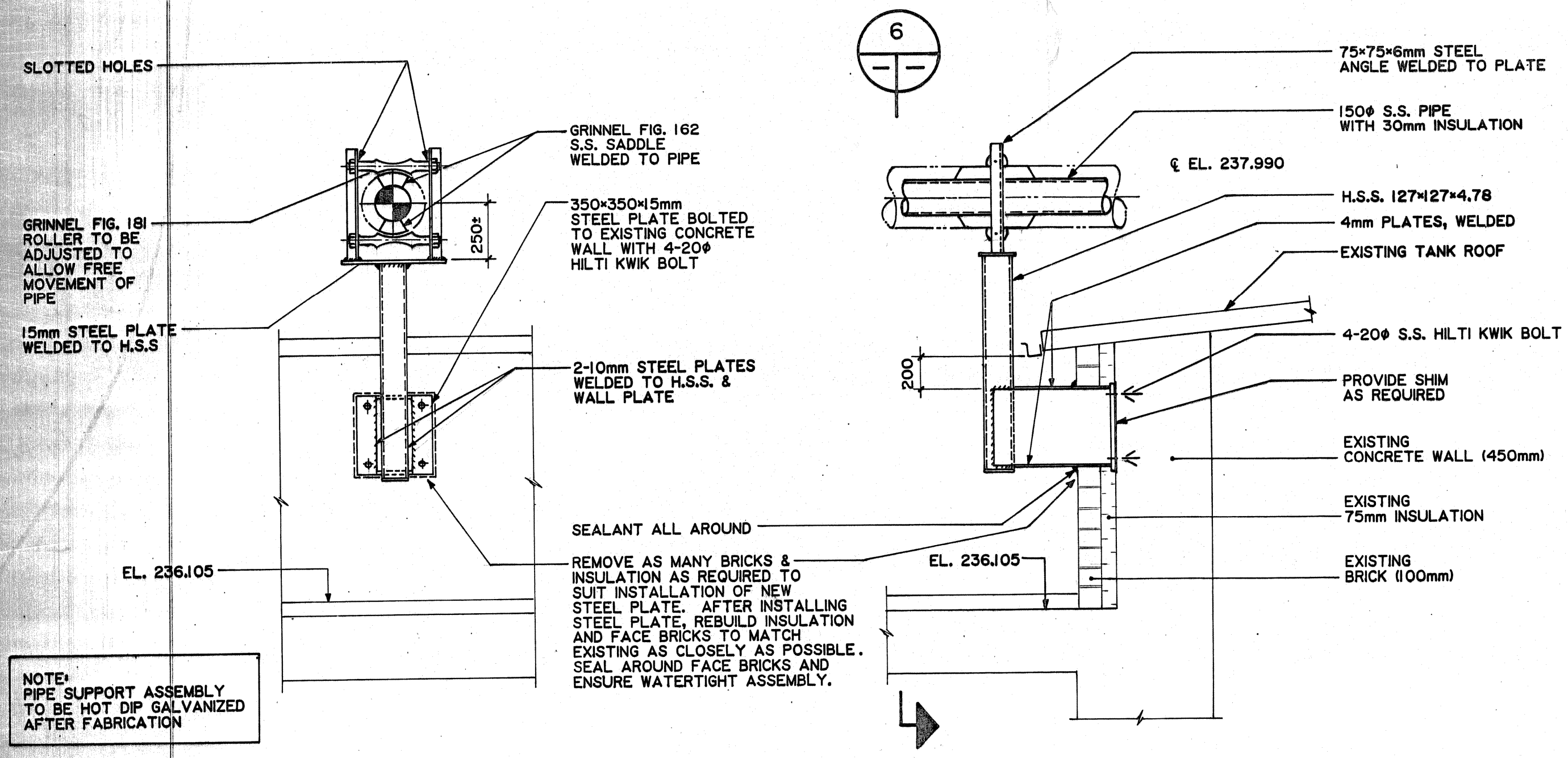
SECTION 1



SECTION 2

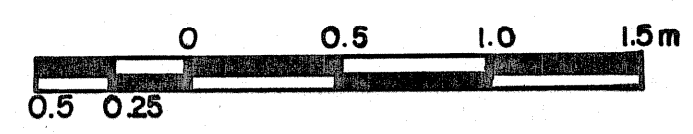


SECTION 3



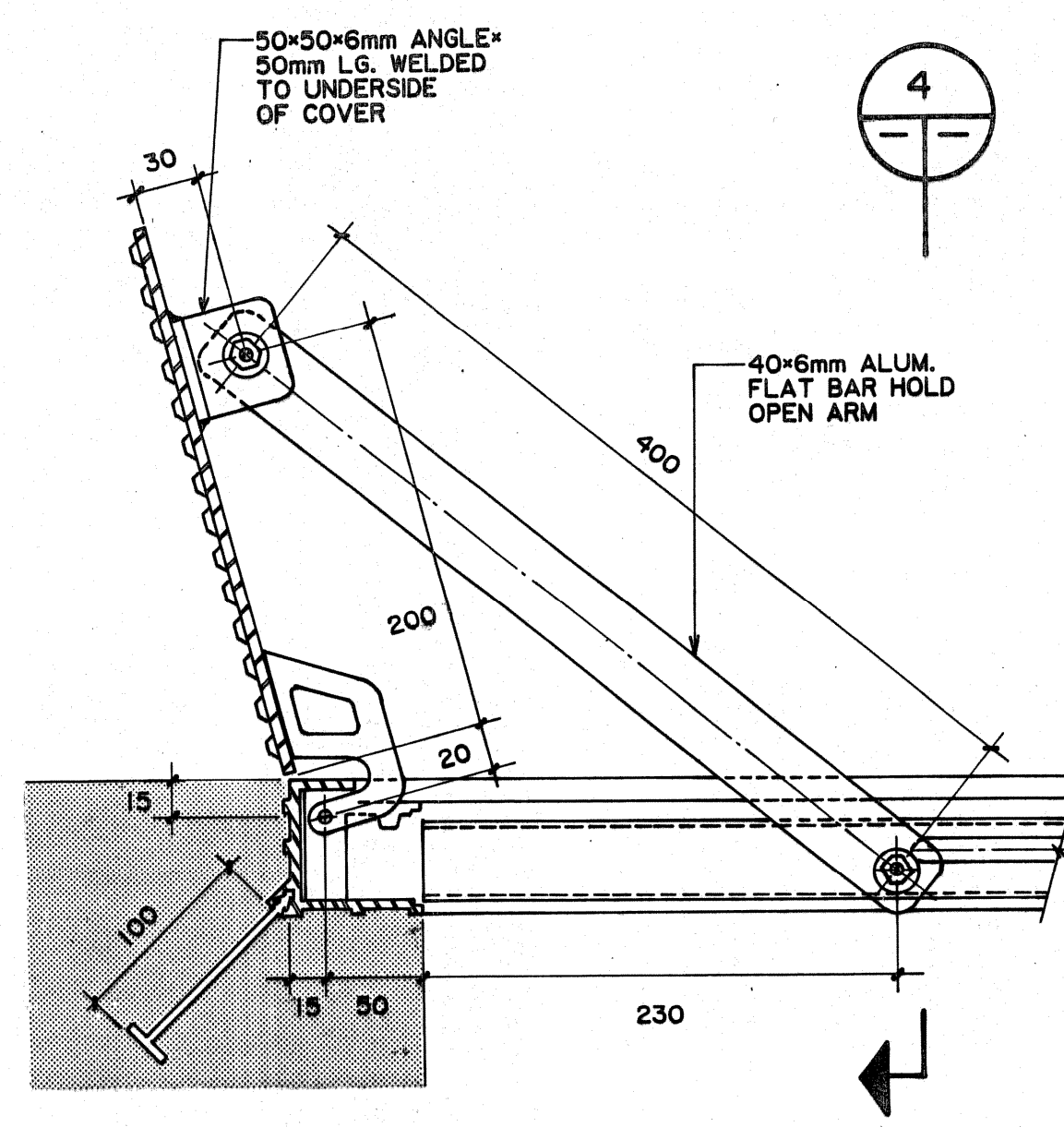
SECTION 6

DETAIL B

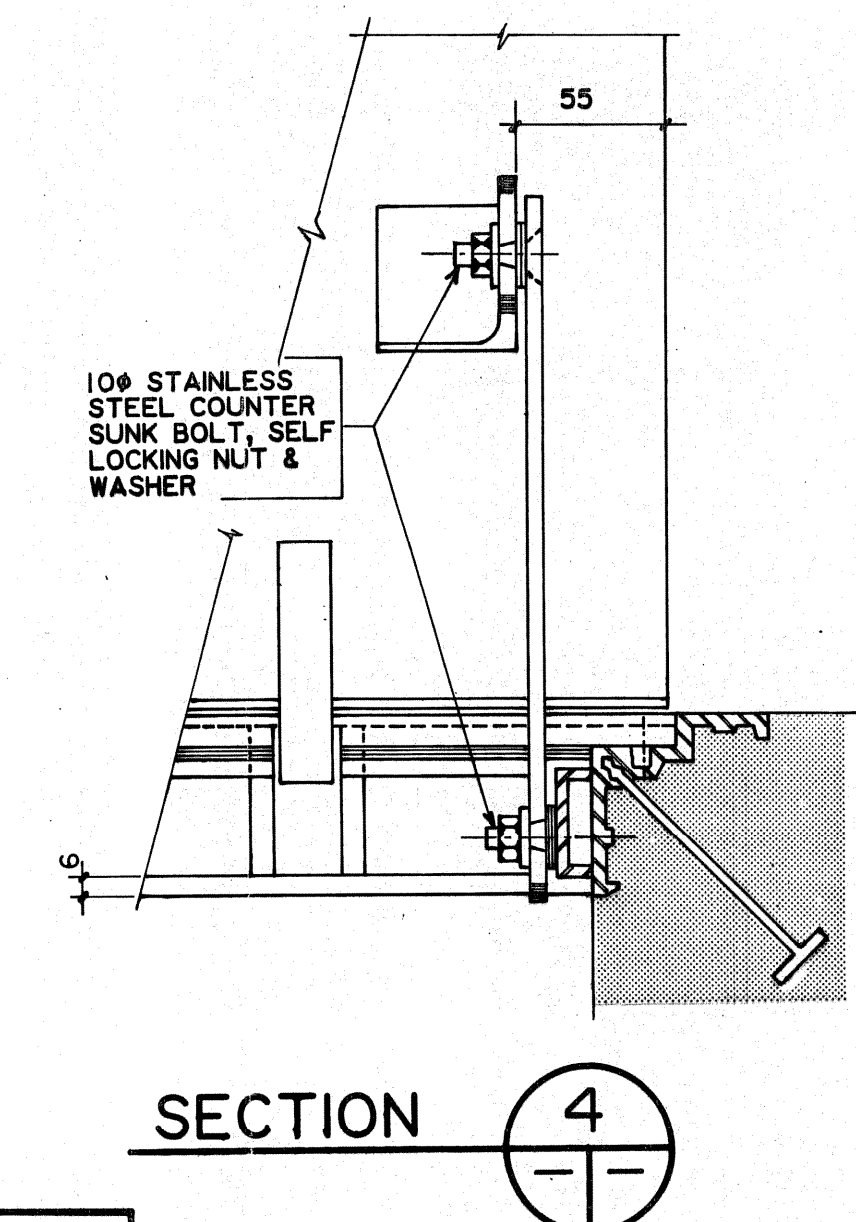


A	DESIGNATION
B	ITEM ORIGIN
C	ITEM LOCATION

FIXED PIPE SUPPORT



SECTION SHOWING HOLD OPEN ARM
2 - REQ'D PER PLATE



SECTION 4

FOR SHOP DRAWING INFORMATION REFER TO THE SHOP DRAWING CROSS REFERENCE INDEX

AS CONSTRUCTED
APPROVED BY: [Signature]
DATE: 1986-02-26

ALUMINUM CHECKERED PLATE DETAILS

"TO OBTAIN PLANT DATUM SUBTRACT 221.764 METRES"

NO.	REVISIONS	DATE	APP.
A	REVISED TO AS CONSTRUCTED	1986-02-26	[Signature]

REGISTERED PROFESSIONAL ENGINEER
G. G. POWELL
PROVINCE OF ONTARIO
A.P.E.M. - 112-84(R)
EXP. DATE: 85-10-15

Underwood McLellan Ltd.
Consulting Engineers and Planners
GORE & STORRIE LIMITED
CONSULTING ENGINEERS
DESIGNED BY: J. CHENG
DRAWN BY: S.N.
CHECKED BY: J. CHENG
DATE: JUNE / 85
APPROVED BY: [Signature]
DATE: JUNE / 85

THE CITY OF WINNIPEG
WORKS & OPERATIONS DIVISION
WATERWORKS, WASTE & DISPOSAL DEPARTMENT

NORTH END WATER POLLUTION CONTROL CENTRE
SLUDGE DIGESTION EXPANSION
MISCELLANEOUS DETAILS (5)
RELEASED FOR CONSTRUCTION: [Signature]
DATE: 17/6/85
SCALE: AS NOTED
DRAWING NO: NEP-1286

NEP-1286