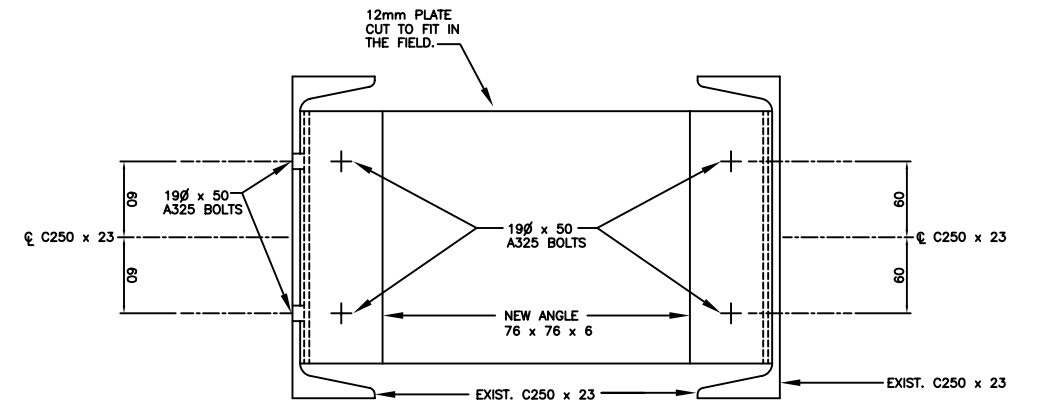
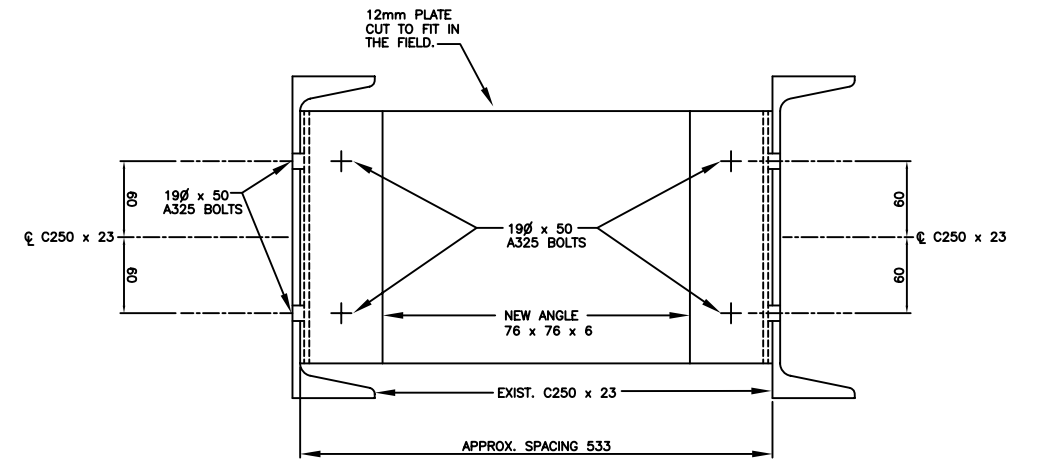


ELEVATION – CHANNEL TO CHANNEL CONNECTION (TYPE 4 REPAIR)  
N.T.S.



DETAIL A – CHANNEL TO CHANNEL CONNECTION  
N.T.S.



DETAIL B – CHANNEL TO CHANNEL CONNECTION  
N.T.S.

**NOTE:**

1. CHANNEL SPACING TO BE FIELD MEASURED

**METRIC**  
WHOLE NUMBERS INDICATE MILLIMETRES  
DECIMALIZED NUMBERS INDICATE METRES

NOTE:	B.M. ELEV.	DESIGNED BY: B.A.N.			DISRAELI BRIDGE & OVERPASS STRUCTURAL STEEL DECK REPAIRS	SHEET 4 OF 5 HORIZONTAL: N.T.S. VERTICAL: N.T.S.	
		DRAWN BY: M.R.T.					
		CHECKED BY: B.A.N.					
		APPROVED BY: B.A.N.					
		AUTHORIZED BY:					
	NO. REVISION	DATE	BY	B.A. NEIRINCK BRIDGE PLANNING & OPERATIONS ENGINEER	BID OPPORTUNITY NO.: 142-2007	ELEVATIONS, DETAILS & SECTIONS (SHEET 2 OF 2)	CITY DRAWING NUMBER: B111/112-07-04