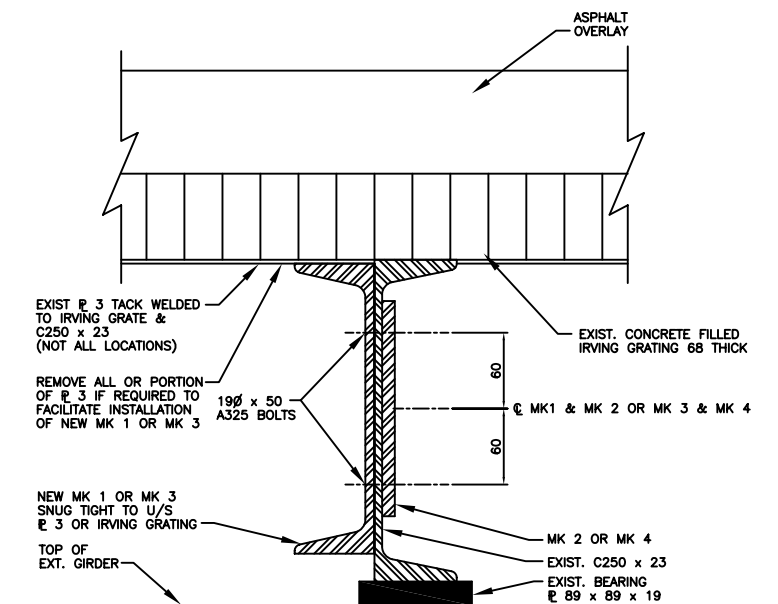
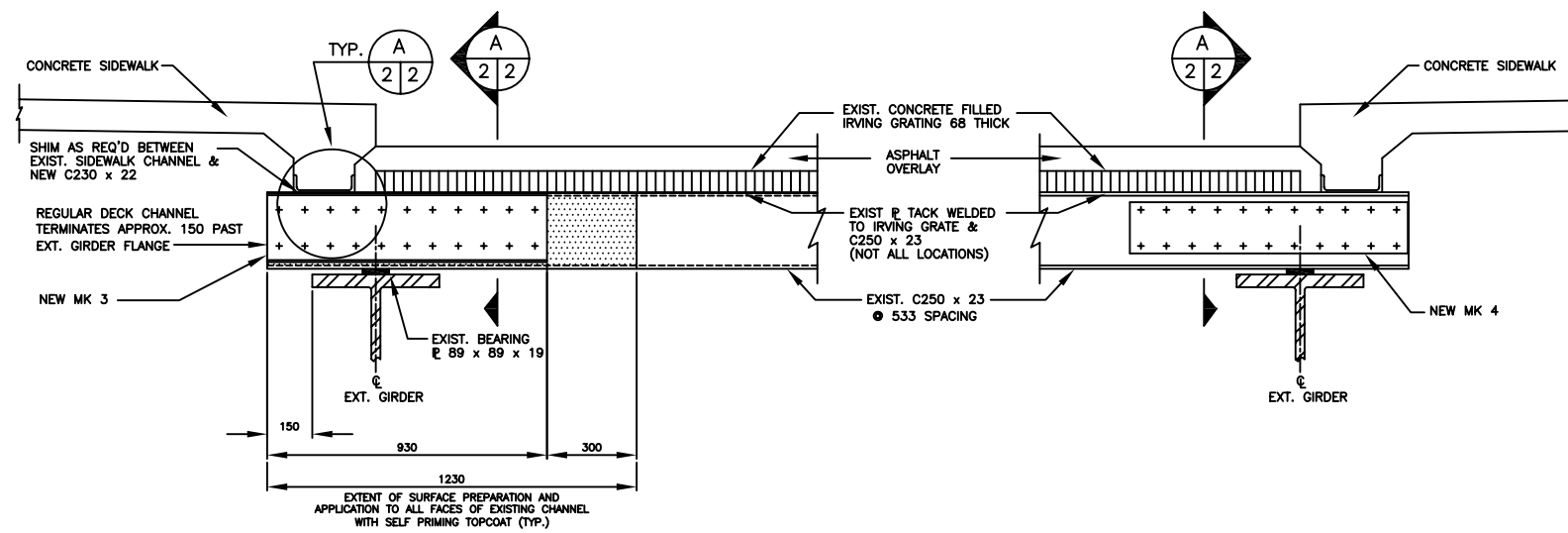


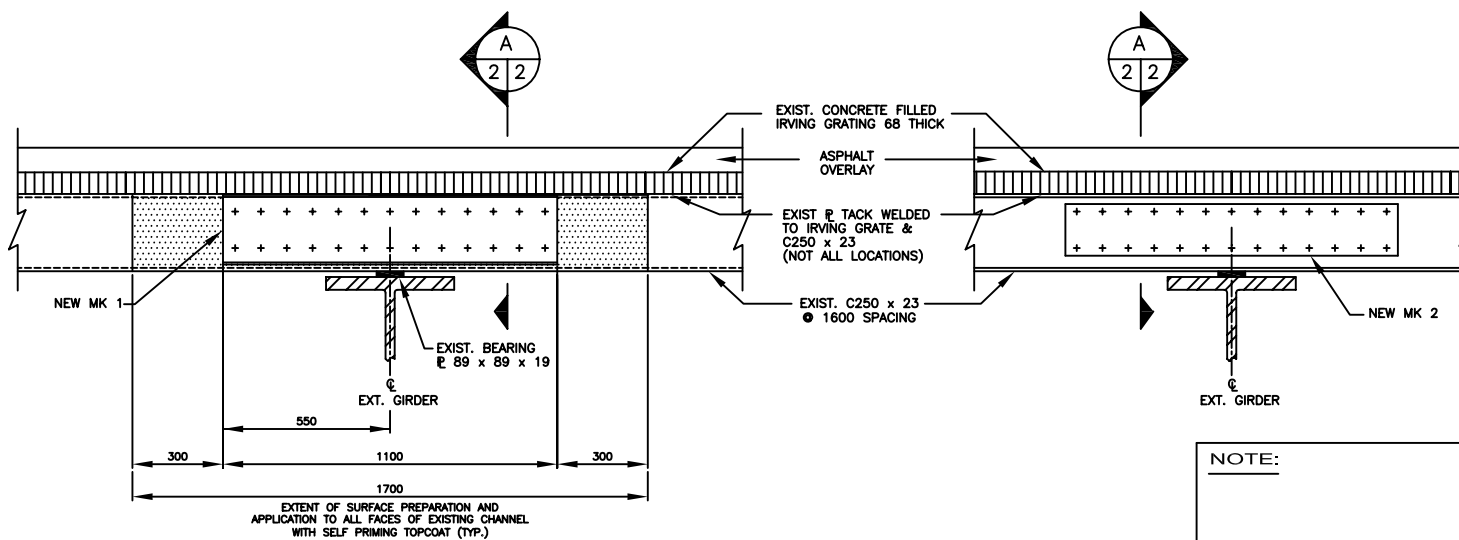
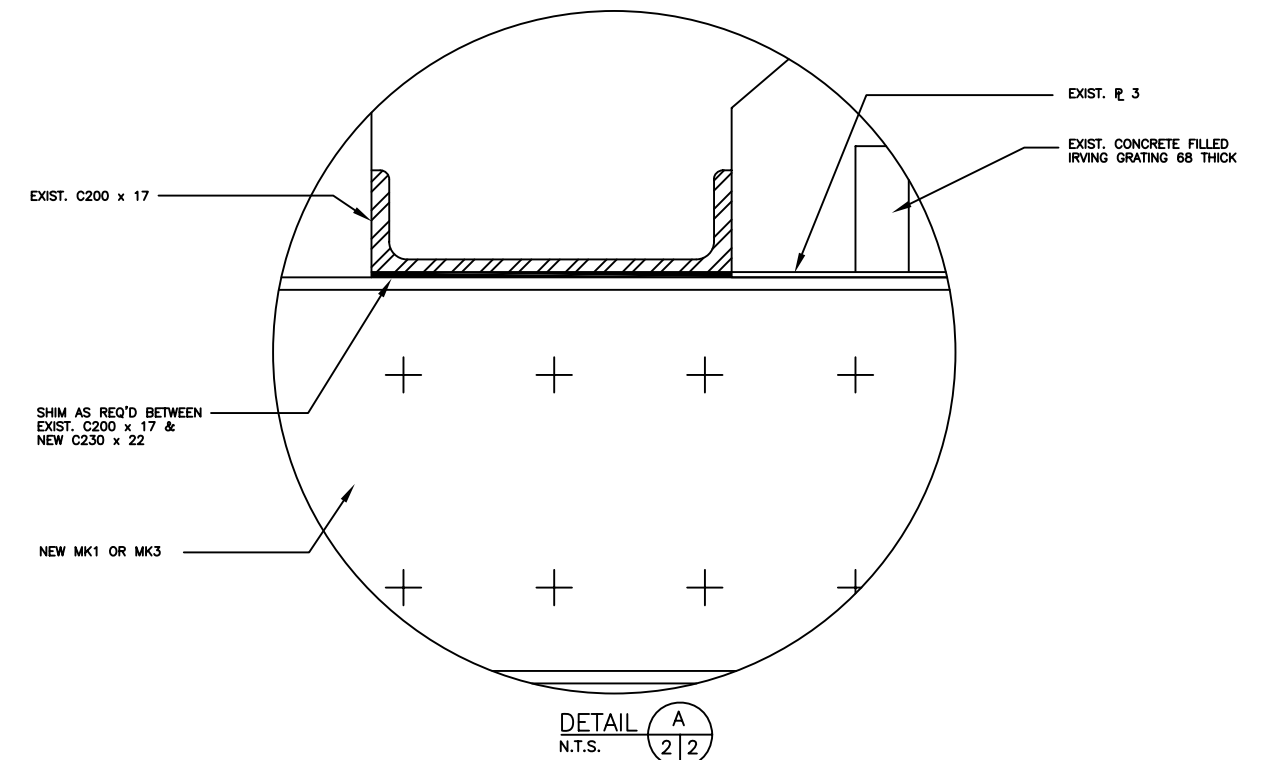
ELEVATION – CANTILEVERED DECK CHANNEL REINFORCEMENT OVER EXTERIOR GIRDER (TYPE 1 REPAIR)
N.T.S.



A SECTION
2/2 N.T.S.



ELEVATION – REGULAR DECK CHANNEL REINFORCEMENT OVER EXTERIOR GIRDER (TYPE 2 REPAIR)
N.T.S.



ELEVATION – DECK CHANNEL REINFORCEMENT OVER INTERIOR GIRDER (TYPE 3 REPAIR)
N.T.S.

NOTE:

B.M. ELEV.	DESIGNED BY: B.A.N.
	DRAWN BY: B.A.N.
	CHECKED BY: B.A.N.
	APPROVED BY: B.A.N.
	AUTHORIZED BY:
	B.A. NEIRNCK BRIDGE PLANNING & OPERATIONS ENGINEER
NO. REVISION	DATE BY

ENGINEER'S SEAL
PROVINCE OF MANITOBA
ORIGINAL SIGNED BY
B.A.J. NEIRNCK
2007/03/14
REGISTERED PROFESSIONAL ENGINEER
BID OPPORTUNITY NO.: 142-2007

METRIC
WHOLE NUMBERS INDICATE MILLIMETRES
DECIMALIZED NUMBERS INDICATE METRES

CITY OF WINNIPEG
PUBLIC WORKS DEPARTMENT
ENGINEERING DIVISION

DISRAELI BRIDGE & OVERPASS
STRUCTURAL STEEL DECK REPAIRS

ELEVATIONS, DETAILS & SECTIONS
(SHEET 1 OF 2)

SHEET 3 OF 5
HORIZONTAL: N.T.S.
VERTICAL: N.T.S.
CITY DRAWING NUMBER:
B111/112-07-03