

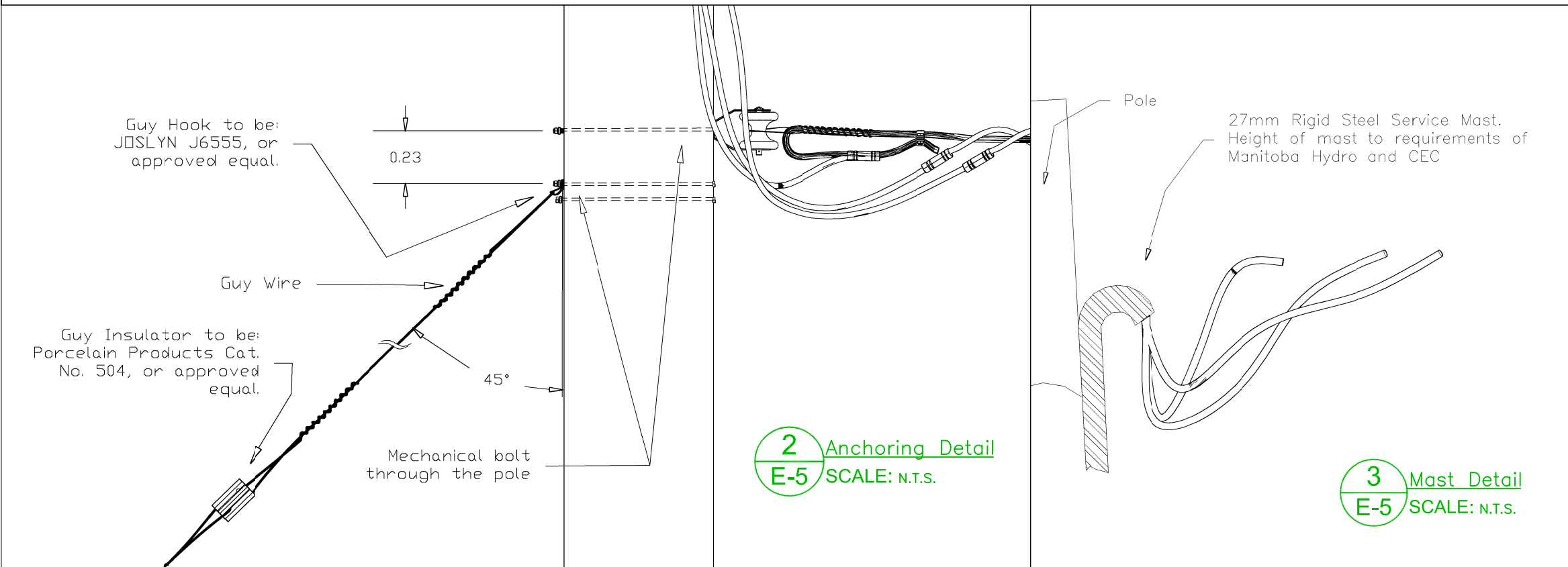
NOTES:

- 1. End pole: see E-4/2.
- 2. Passing pole: see E-4/1.
- 3. See E-3/2.

- 4. Anchored pole. See E-5/2.
- 5. 1000 watt HPS floodlights fed at 240V, installed on each pole at 15.6 meters above grade. Typical for 6.
- 6. Distribution to be located on East side of pole.

- 7. Service connection down pole to distribution to be run in 27mm rigid steel conduit. See E-5/3.
- 8. Bare wire from Triplex 3#6 to be used as bonding/ground wire. All metal parts of floodlights to be bonded to ground.

1 Pole Layout
E-5 SCALE: N.T.S.



2 Anchoring Detail
E-5 SCALE: N.T.S.

3 Mast Detail
E-5 SCALE: N.T.S.

THE CITY OF WINNIPEG
PUBLIC WORKS DEPARTMENT



PROJECT:
Snow Disposal Site - Wilkes Ave

SHEET TITLE
Details C

ENG. STAMP	PROJECT NO. 106-2007		
	DRAWN BY: VC	CHECKED BY: GWA	APPROVED BY: GWA
SCALE:		DATE: 25 June, 2007	
DWG. NO. E-5	REV. 0		