

SECTION A
SCALE 1:25

SECTION B
SCALE 1:25

DETAIL 3
SCALE 1:25

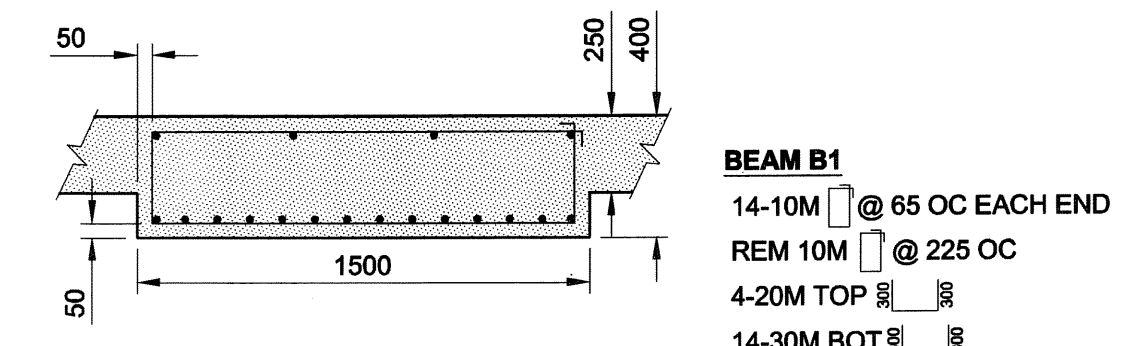
DETAIL 1
SCALE 1:25

DETAIL 6
SCALE 1:25

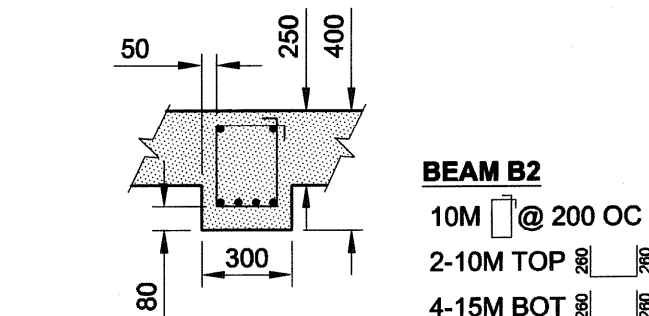
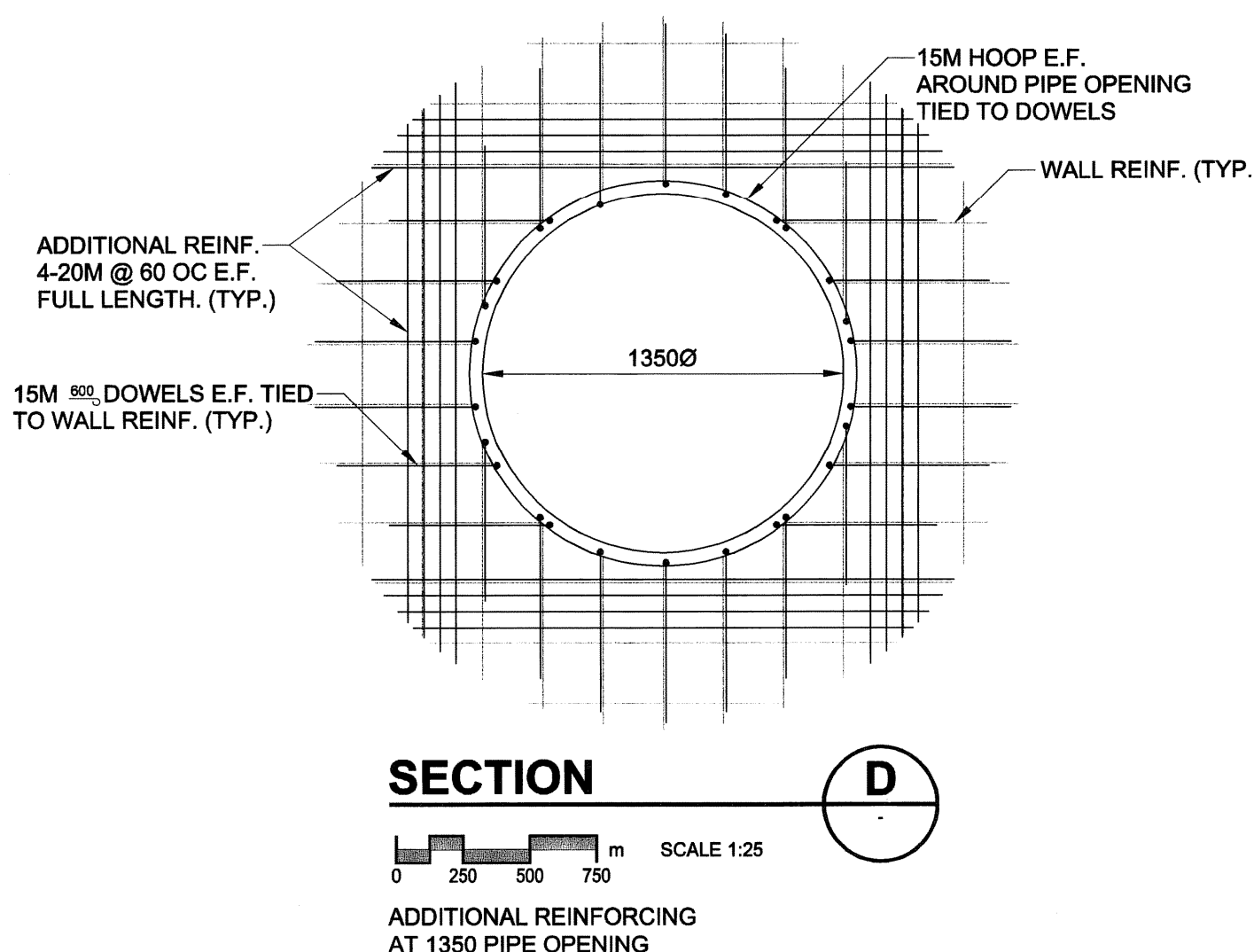
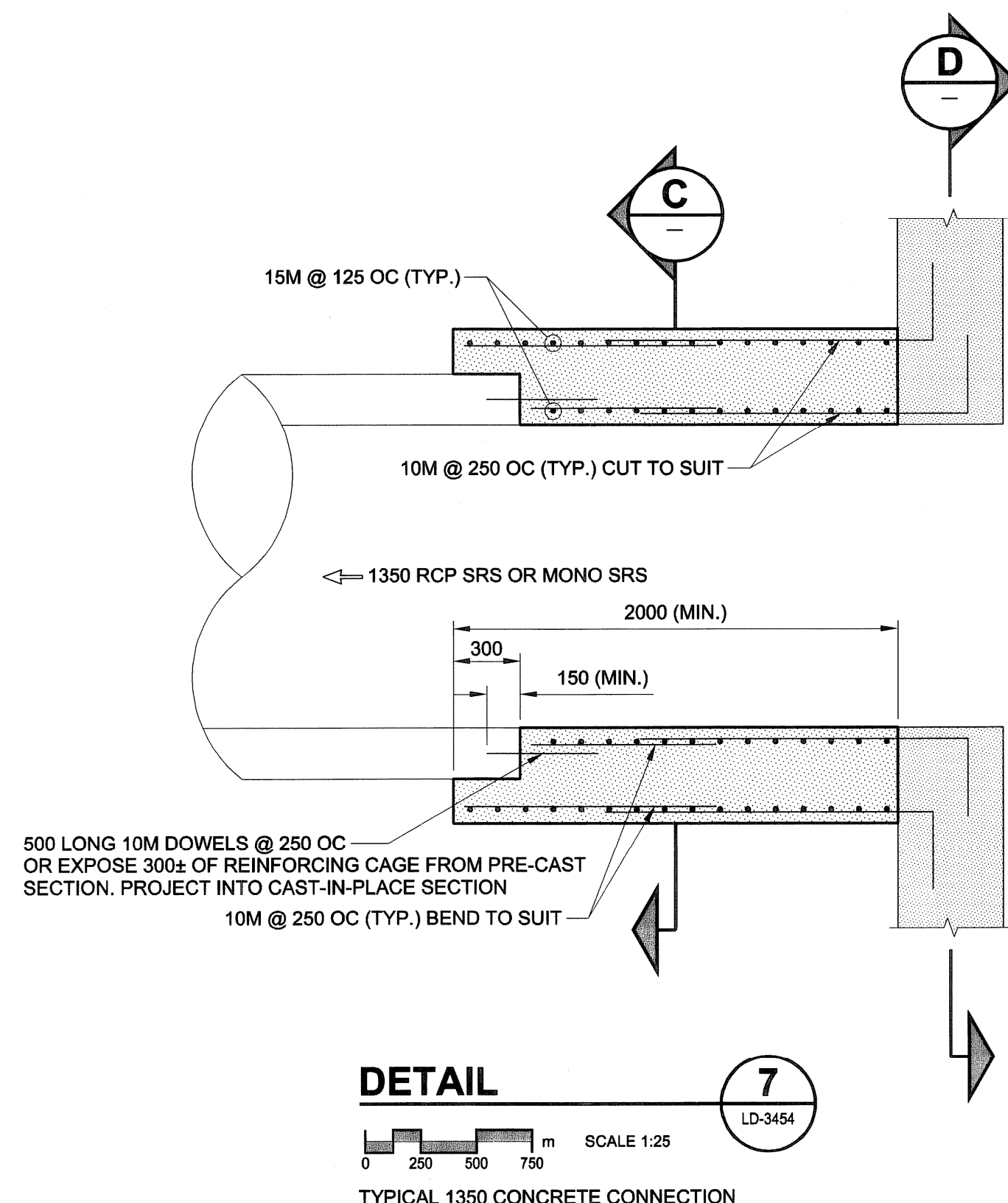
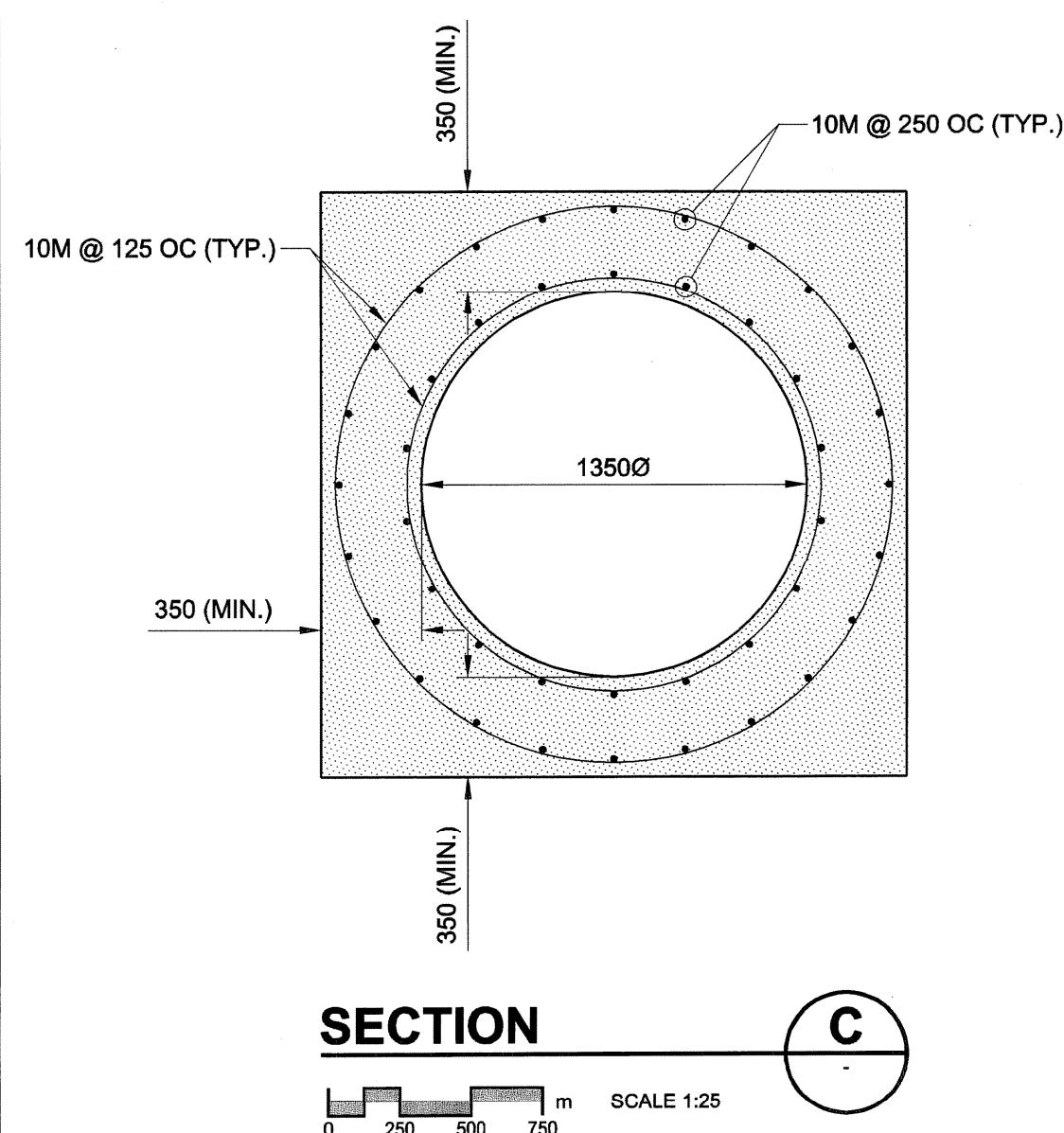
HYDRAULIC CEMENT GROUT	EPOXY GROUT
d = BAR DIA. +20mm	d AND Le IN ACCORDANCE WITH MANUFACTURER'S PRINTED SPECIFICATIONS
Le: 10M - 150mm	
15M - 200mm	
20M - 250mm	
25M - 300mm	

d = REINFORCING BAR DIAMETER
Le = LENGTH OF REINFORCING BAR

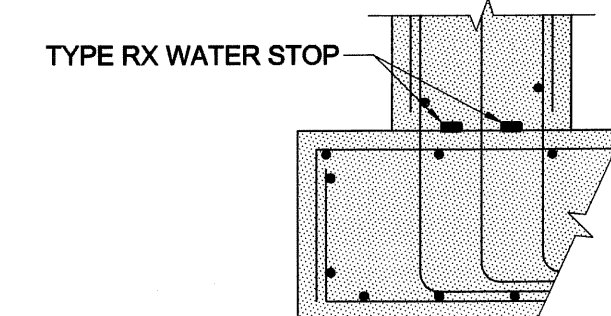
BAR	LAP
10M	500
15M	700
20M	870



DETAIL 2
SCALE 1:25



DETAIL 4
SCALE 1:25



DETAIL 5
SCALE 1:20

METRIC
WHOLE NUMBERS INDICATE MILLIMETRES
DECIMALIZED NUMBERS INDICATE METRES

APCGM
Certificate of Authorization
UMA Engineering Ltd.
No. 256 Expiry: April 30, 2007

BID OPPORTUNITY NO. 809-2006

LOCATION APPROVED UNDERGROUND STRUCTURES	
SUPR. U/G STRUCTURES COMMITTEE	DATE
NOTE: LOCATION OF UNDERGROUND STRUCTURES AS SHOWN ARE BASED ON THE BEST INFORMATION AVAILABLE. BUT NO GUARANTEE IS GIVEN THAT ALL EXISTING UTILITIES ARE SHOWN OR THAT THE GIVEN LOCATIONS ARE EXACT. CONFIRMATION OF EXISTENCE AND EXACT LOCATION OF ALL SERVICES MUST BE OBTAINED FROM THE INDIVIDUAL UTILITIES BEFORE PROCEEDING WITH CONSTRUCTION.	
BM 36-044	N. side Notre Dame Ave. Btwn. Sherbrook St. & Piquet St. Top. in Wdg. wing wall on production Sdy. of W. wall of No. 677 Notre Dame Ave. (Health Sciences Power House). 0.2m E. & 0.25m below precast stone finish of wing wall.
NO. REVISIONS	YYMMDD BY
0	ISSUED FOR CONSTRUCTION KMB

UMA AECOM	
© 2005 UMA ENGINEERING LTD. ALL RIGHTS RESERVED.	
DESIGNED BY	GEB
CHECKED BY	[Signature]
DRAWN BY	KMB
APPROVED BY	[Signature]
HOR. SCALE	AS NOTED
VERT. SCALE	N/A
DATE	07/01/10
RELEASED FOR CONSTRUCTION	[Signature]
DATE	07/07/10

PROFESSIONAL'S SEAL
PROVINCE OF MANITOBA
REGISTERED PROFESSIONAL ENGINEER
S.B. BISWANGER
07/01/10
CONSULTANT DRAWING NO. 05
D265-177-03

THE CITY OF WINNIPEG
WATER AND WASTE DEPARTMENT

ALEXANDER/BANNATYNE
COMBINED SEWER RELIEF
CONTRACT 3A
OVERFLOW STRUCTURE

STRUCTURAL SECTIONS & DETAILS

SHEET 5 OF 6
CITY DRAWING NUMBER
LD-3455
REV 0