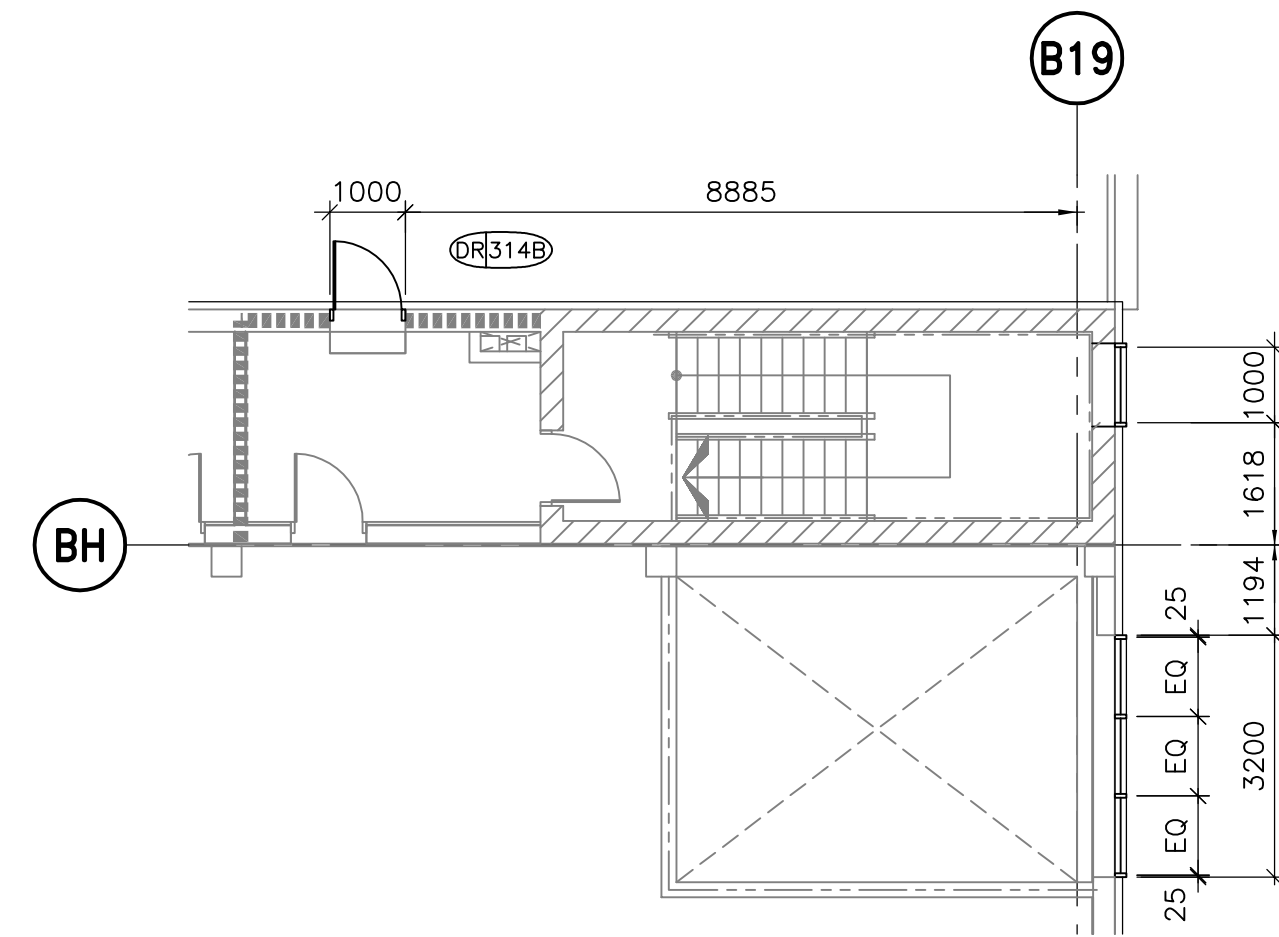
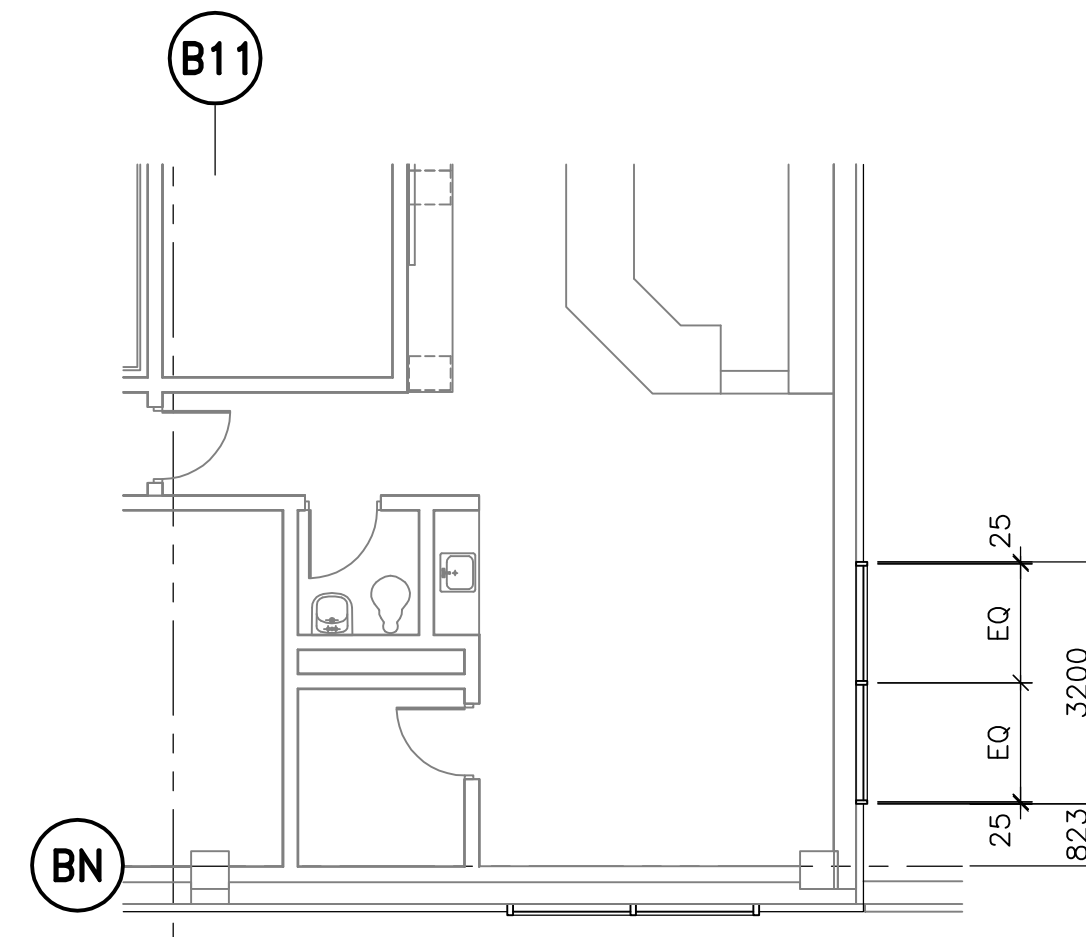


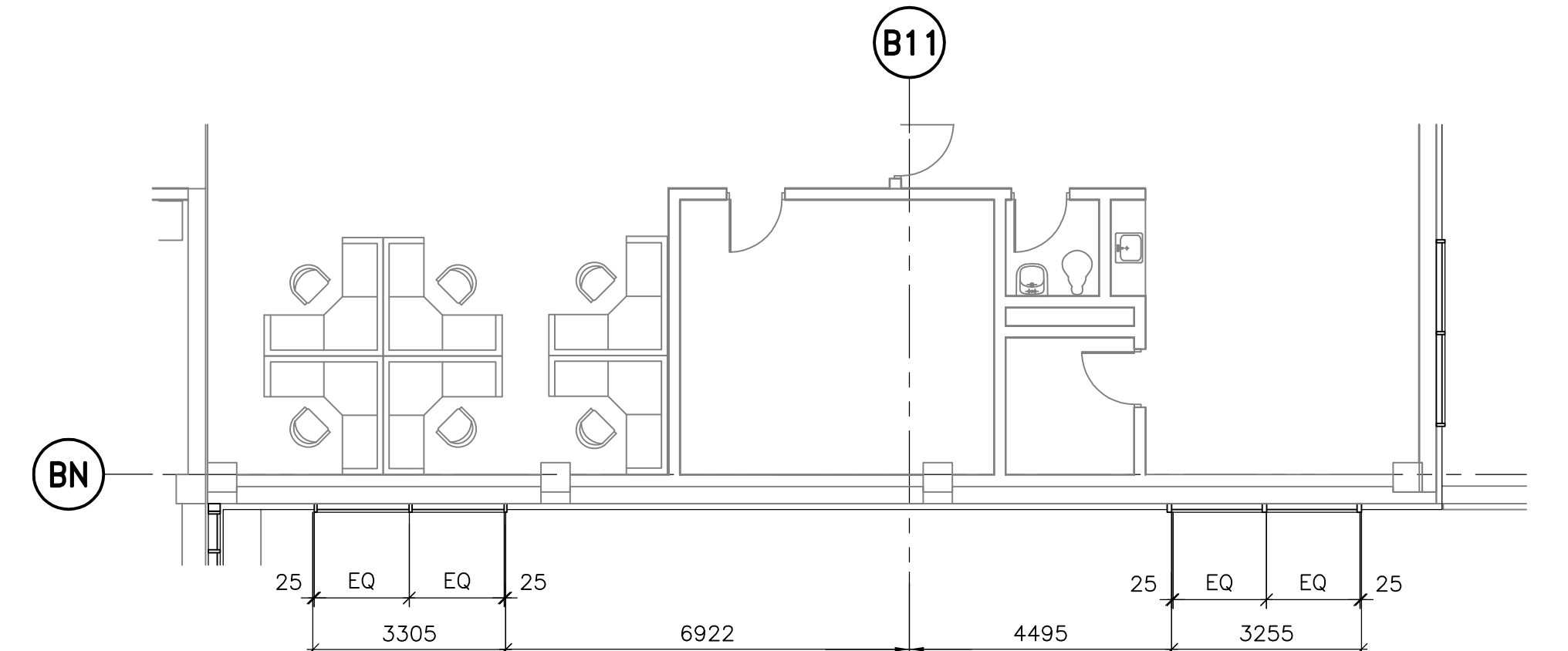
1 OPENING DETAIL
WB-B0130 1:100



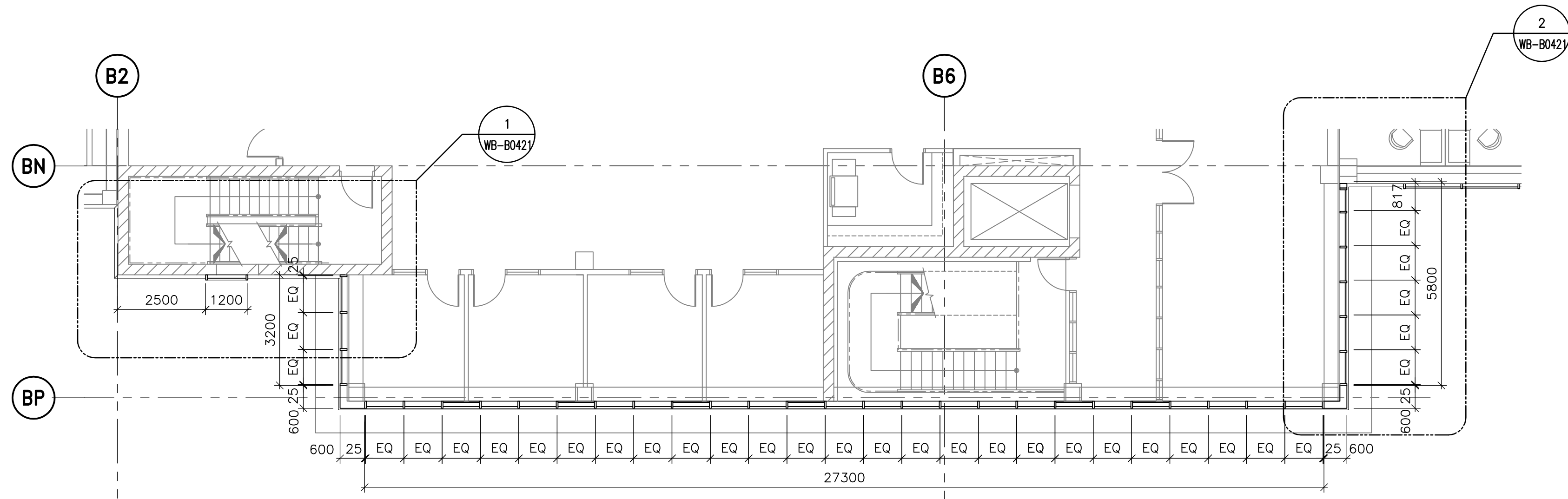
2 OPENING DETAIL
WB-B0130 1:100



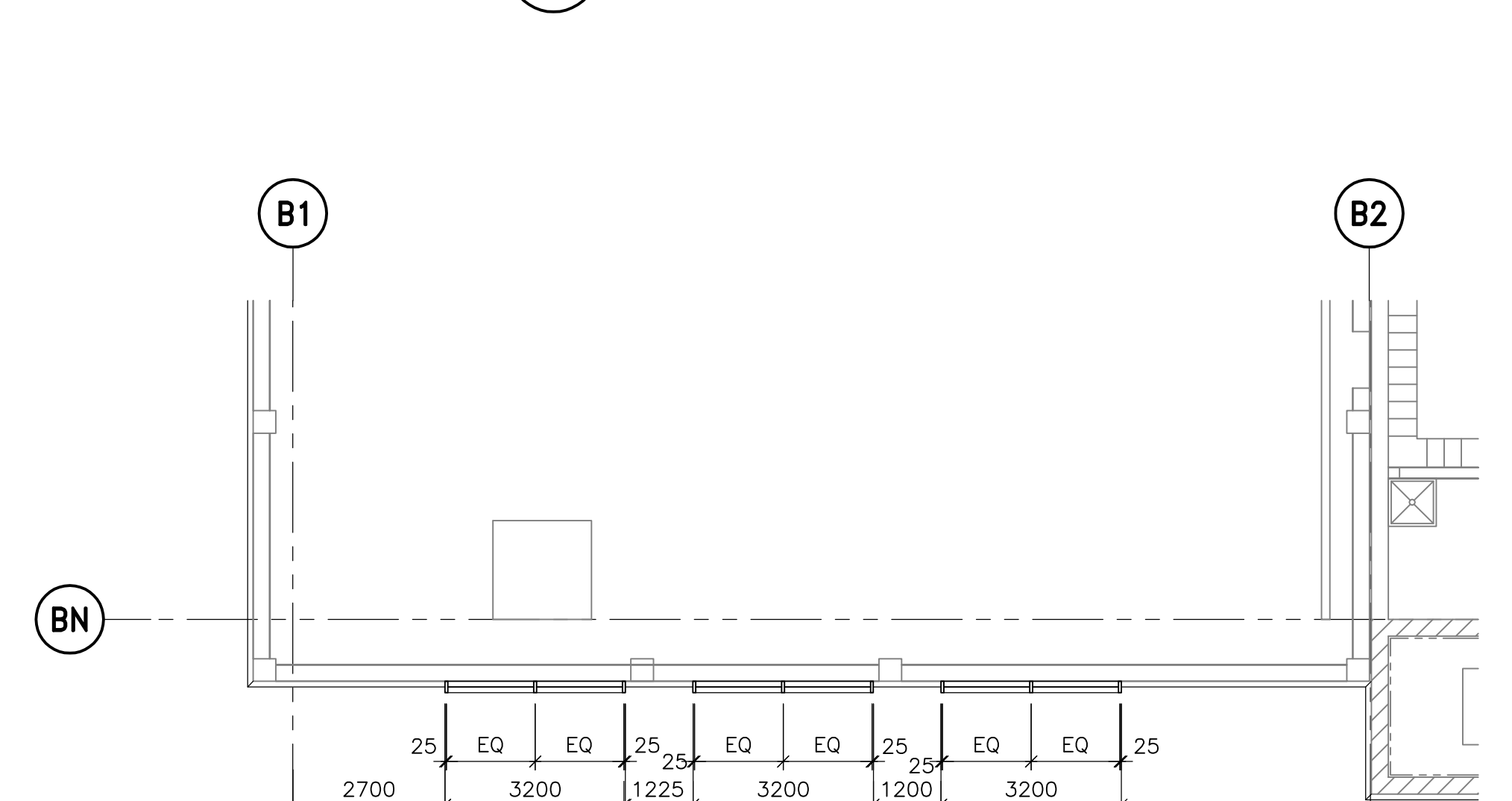
3 OPENING DETAIL
WB-B0130 1:100



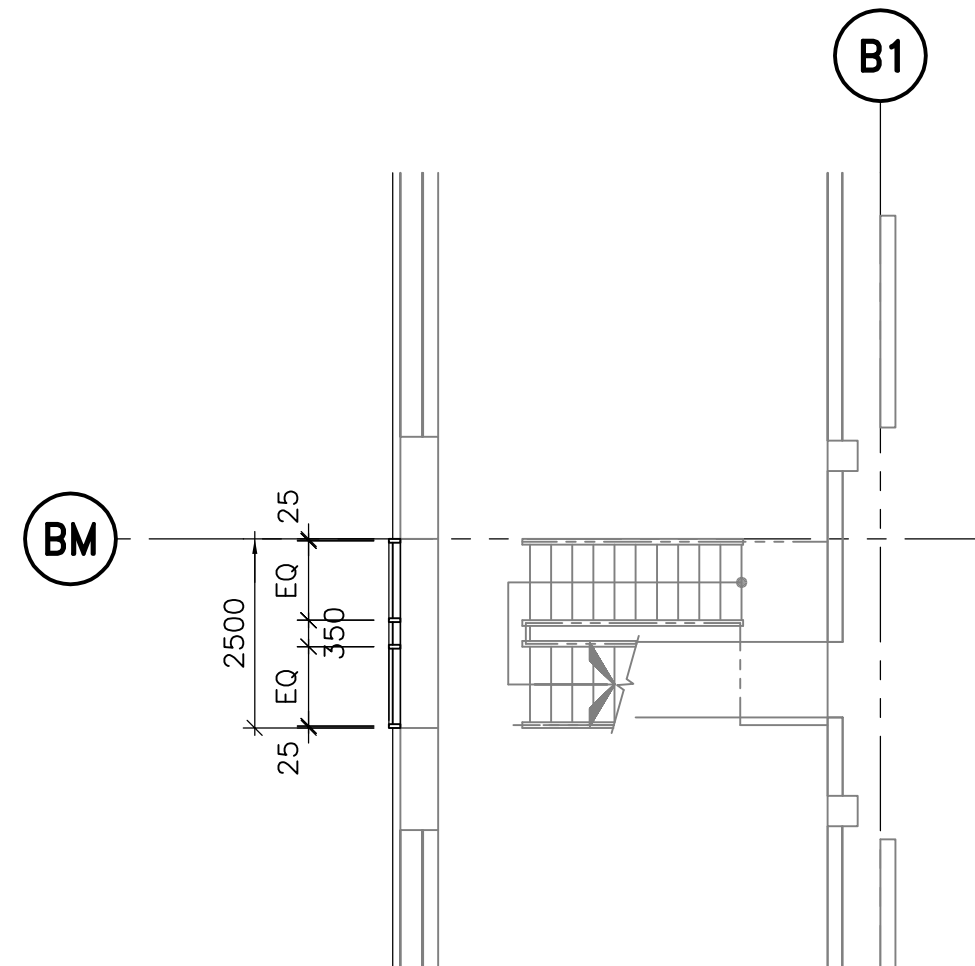
4 OPENING DETAIL
WB-B0130 1:100



5 OPENING DETAIL
WB-B0130 1:100



6 OPENING DETAIL
WB-B0130 1:100

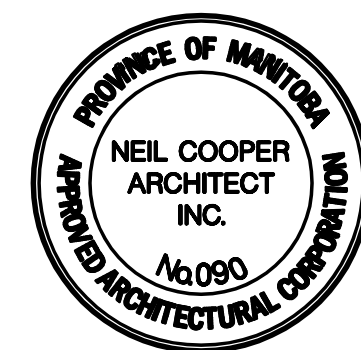


7 OPENING DETAIL
WB-B0130 1:100

NOTE:

CONTRACTOR TO COORDINATE THE TIMING OF AND ENVELOPE TIE-INS OF ALL EXTERIOR WALL/ENVELOPE PENETRATIONS, INCLUDING BOTH THOSE ENSUING FROM THIS CONTRACT AND THOSE ENSUING FROM OTHER CONTRACTS, BETWEEN DISCIPLINES AND SUB-CONTRACTORS AND COORDINATE PROPER SEQUENCING OF INSTALLATION TO ENSURE BUILDING ENVELOPE IS PROPERLY INSTALLED AND SEALED ACCORDING TO THE CONTRACT DOCUMENTS.

THIRD FLOOR ENLARGED PLANS
SCALE 1:100



B.M. ELEV.			
DESIGNED BY	TWS	CHECKED BY	BJS
DRAWN BY	AL/LK	APPROVED BY	AHL
SCALE:	AS NOTED	RELEASED FOR CONSTRUCTION BY:	R. SOROKOWSKI
00 ISSUED FOR TENDER	07/03/07	LK	
NO. REVISIONS	DATE	BY	DATE
	2005/08/05		2007/03/07



ENGINEER'S SEAL	
ORIGINAL SIGNED BY	NEIL COOPER
	2007/03/07
CONSULTANT DRAWING NO.	WB-B0430

WATER TREATMENT PLANT MAIN BUILDING BUILDING ENVELOPE	CITY FILE NUMBER
	SHEET OF
ARCHITECTURAL THIRD FLOOR ENLARGED PLANS	CITY DRAWING NUMBER
	1-060B-A-B0430-001-00D