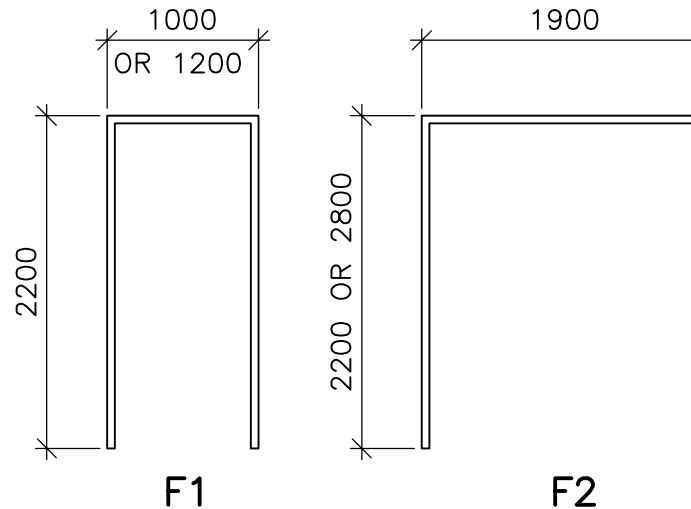


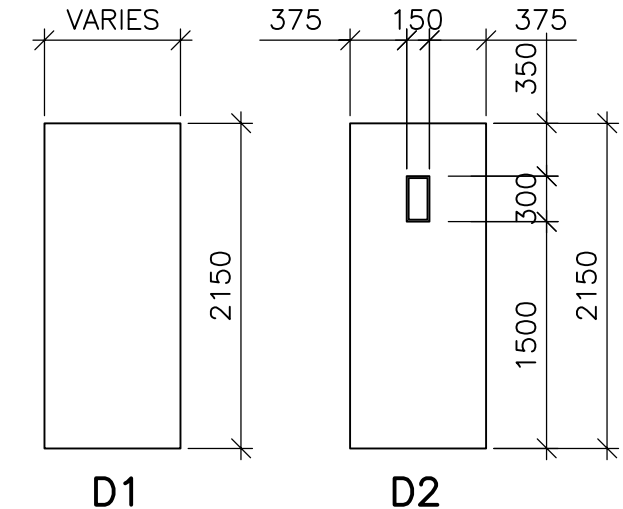
EXTERIOR DOOR SCHEDULE

| NO. | DOOR | | | | FRAME | | | | | RATING (HR) | REMARKS | HW SET |
|-----------------------------|------------------------|------|------|--------|-------|--------|------|------|------|-------------|-----------------|--------|
| | WIDTHxHEIGHTxTHICKNESS | TYPE | MAT. | FINISH | MAT. | FINISH | TYPE | JAMB | HEAD | | | |
| MAIN BUILDING | | | | | | | | | | | | |
| FIRST FLOOR | | | | | | | | | | | | |
| 001 | 900x2150x45 | D1 | ALUM | PNT | - | ALUM | PNT | - | - | - | LH | EXT 2 |
| 101A | 2-900x2150x45 | D4 | ALUM | ANOD | - | ALUM | ANOD | - | - | - | LHR(ACTIVE)/RHR | EXT 1 |
| 106A | 3000x4000 | D3 | - | PREFIN | - | STEEL | PNT | - | J2 | H2 | O/H COILING | EXT - |
| 106B | 3000x4000 | D3 | 02 | PREFIN | 02 | STEEL | PNT | 02 | J2 | H2 | O/H COILING | EXT - |
| 106C | 900x2150x45 | D1 | ALUM | PNT | - | ALUM | PNT | - | - | - | LH | EXT 2 |
| 107 | 2-900x2150x45 | D1 | HM | PNT | - | HM | PNT | F2 | J1 | H1 | LHR(ACTIVE)/RHR | EXT 4 |
| 108A | 2-900x2150x45 | D1 | HM | PNT | - | HM | PNT | F2 | J1 | H1 | LHR(ACTIVE)/RHR | EXT 4 |
| 115A | 900x2150x45 | D1 | HM | PNT | - | HM | PNT | F1 | J1 | H1 | LH | EXT 2 |
| 115B | 3600x3600 | D3 | - | PREFIN | - | STEEL | PNT | - | J2 | H2 | O/H COILING | EXT - |
| 117A | 2-900x2150x45 | D1 | HM | PNT | - | HM | PNT | F2 | J1 | H1 | LHR(ACTIVE)/RHR | EXT 4 |
| 118A | 2-900x2150x45 | D1 | HM | PNT | - | HM | PNT | F2 | J1 | H1 | LHR(ACTIVE)/RHR | EXT 4 |
| 119C | 900x2150x45 | D2 | HM | PNT | - | HM | PNT | F1 | J1 | H1 | LH | EXT 3 |
| 119D | 4200x4200 | D3 | - | PREFIN | - | STEEL | PNT | - | J2 | H2 | O/H COILING | EXT - |
| 120B | 900x2150x45 | D2 | HM | PNT | - | HM | PNT | F1 | J1 | H1 | LH | EXT 3 |
| 128B | 3600x3600 | D3 | - | PREFIN | - | STEEL | PNT | - | J2 | H2 | O/H COILING | EXT - |
| 128C | 900x2150x45 | D2 | HM | PNT | - | HM | PNT | F1 | J1 | H1 | RH | EXT 3 |
| SECOND FLOOR | | | | | | | | | | | | |
| 202B | 900x2150x45 | D1 | HM | PNT | - | HM | PNT | F1 | J1 | H1 | LH | EXT 2 |
| 204B | 900x2150x45 | D2 | HM | PNT | - | HM | PNT | F1 | J1 | H1 | RH | EXT 3 |
| 204C | 3000x3000 | D3 | - | PREFIN | - | STEEL | PNT | - | J2 | H2 | O/H COILING | EXT - |
| THIRD FLOOR | | | | | | | | | | | | |
| 314 | 900x2150x45 | D2 | HM | PNT | - | HM | PNT | F1 | J1 | H1 | LH | EXT 2 |
| MECHANICAL PENTHOUSE | | | | | | | | | | | | |
| 401 | 900x2150x45 | D1 | HM | PNT | - | HM | PNT | F1 | J1 | H1 | LH | EXT 2 |
| STAIRWELLS | | | | | | | | | | | | |
| STAIRWELL No.1 | | | | | | | | | | | | |
| S101A | 900x2150x45 | D4 | ALUM | PNT | - | ALUM | PNT | - | - | - | LH | EXT 2 |
| STAIRWELL No.2 | | | | | | | | | | | | |
| S102B | 900x2150x45 | D1 | HM | PNT | - | HM | PNT | F1 | J1 | H1 | LH | EXT 2 |
| STAIRWELL No.4 | | | | | | | | | | | | |
| S104B | 900x2150x45 | D1 | HM | PNT | - | HM | PNT | F1 | J1 | H1 | RH | EXT 2 |
| STAIRWELL No.5 | | | | | | | | | | | | |
| S105B | 900x2150x45 | D1 | HM | PNT | - | HM | PNT | F1 | J1 | H1 | RH | EXT 2 |
| STAIRWELL No.6 | | | | | | | | | | | | |
| S106C | 900x2150x45 | D1 | HM | PNT | - | HM | PNT | F1 | J1 | H1 | RH | EXT 2 |
| STAIRWELL No.7 | | | | | | | | | | | | |
| S107C | 900x2150x45 | D1 | HM | PNT | - | HM | PNT | F1 | J1 | H1 | LH | EXT 2 |

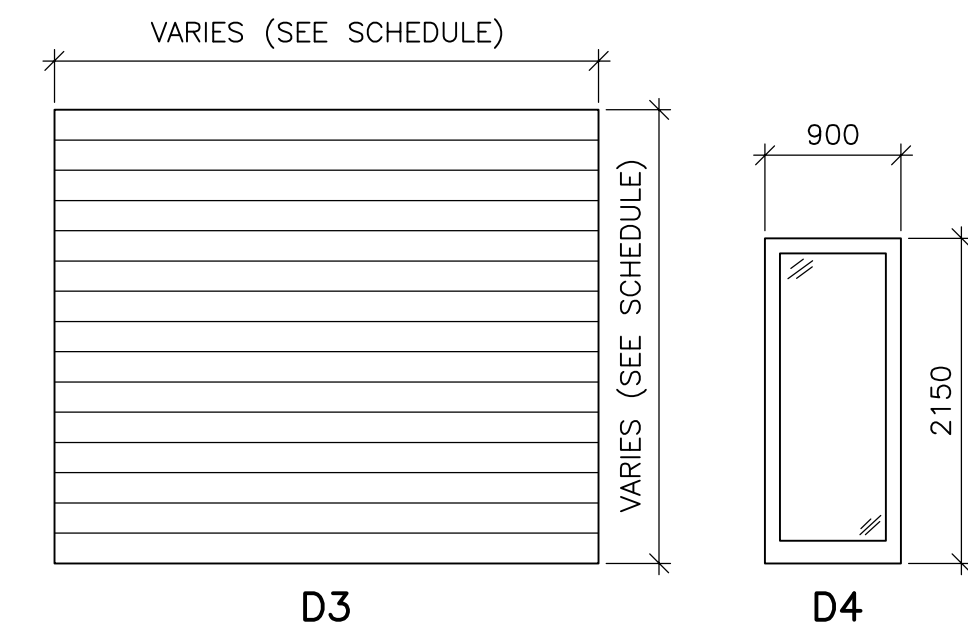
NOTE: ALUMINUM DOOR HARDWARE TO MATCH HARDWARE GROUP NOTED IN HARDWARE SET COLUMN



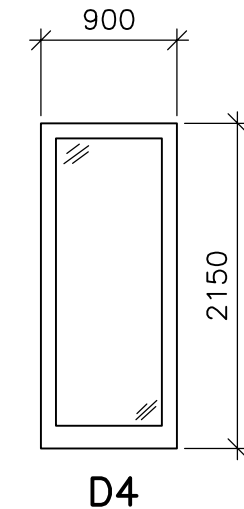
FRAME TYPES
SCALE 1:50



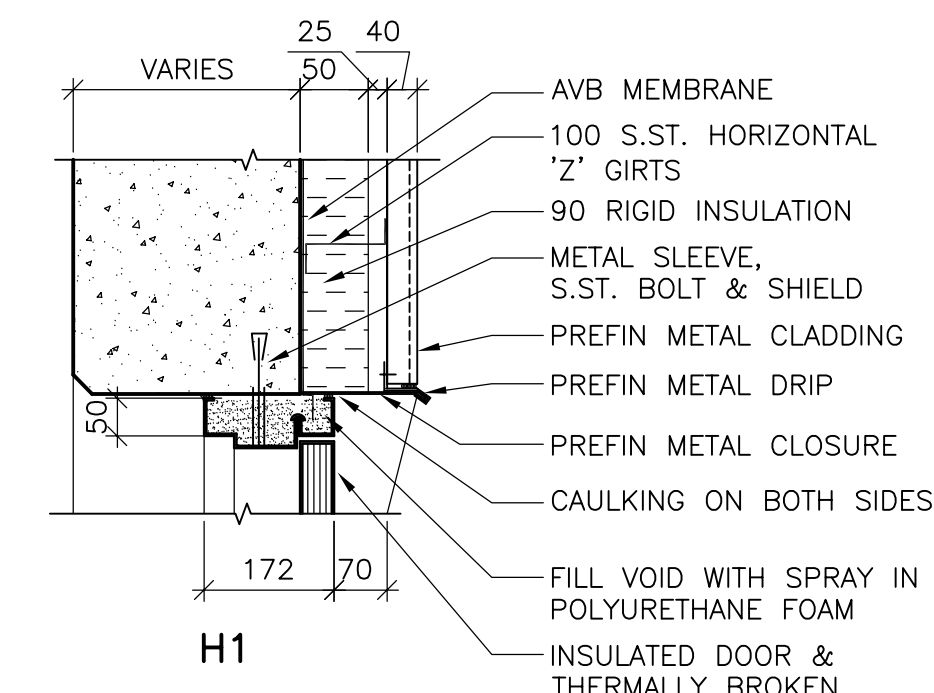
DOOR TYPES
SCALE 1:50



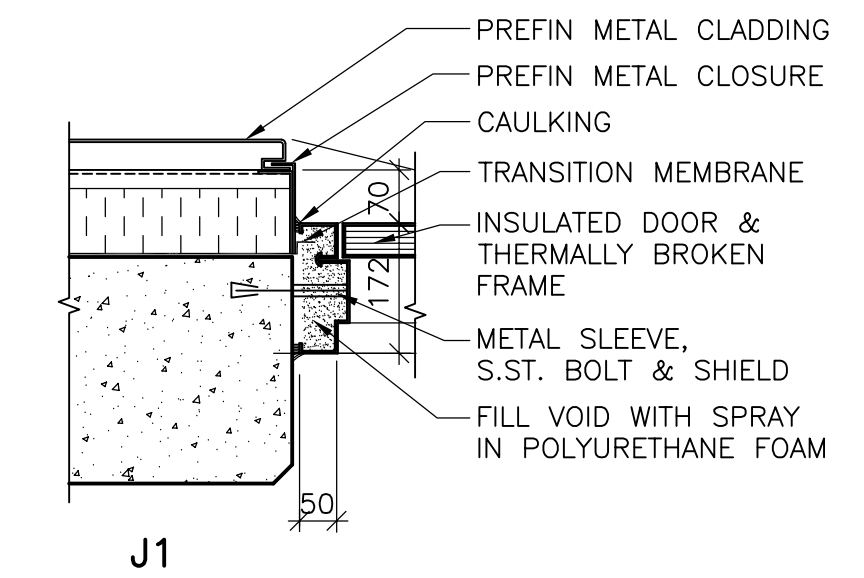
ALL COILING DOORS ARE ELECTRICALLY OPERATED



ALUMINUM ENTRANCE



HEADER TYPES
SCALE 1:10



JAMB TYPES
SCALE 1:10

HARDWARE SCHEDULE

| Group | Item | Quantity | Material | Brand | |
|-------------------------|-------------------------|---|-----------------------|----------|----------|
| Group 1 | 6 Hinges | TA386 113 x 100mm NRP | 32D | McKinney | |
| | 1 Lockset | 11G15-3 x LL | 26DCPC | Sargent | |
| | 2 Flushbolts | GSH 401 | 26D | GSH | |
| | 1 Closer | P7500 | SS | Norton | |
| | 2 Concealed O/H Stops | 6-346 | 32D | Rixson | |
| | 2 Kickplates | GSH 80A 250 x 863mm | 32D | GSH | |
| | 1 Astragal | 351CP 2100mm | CP | Pemko | |
| | 1 Weather Strip | 297SNS 1/6 x 2/7 | | Pemko | |
| | 2 Sweeps | 345ANB 900mm | ANB | Pemko | |
| | 1 Threshold | 172AK 1800mm | Pemkote | Pemko | |
| Group 2 | 3 Hinges | TA386 113 x 100mm NRP | 32D | McKinney | |
| | 1 Exit Device-Exit Only | 7150 | 32D | Yale | |
| | 1 Closer | P7500 | SS | Norton | |
| | 1 Concealed O/H Stop | 6-346 | 32D | Rixson | |
| | 1 Kickplate | GSH 80A 250 x 863mm | 32D | GSH | |
| | 1 Weather Strip | 297SNS 1/3 x 2/7 | | Pemko | |
| | 1 Sweep | 345ANB 900mm | ANB | Pemko | |
| | 1 Threshold | 172AK 900mm | Pemkote | Pemko | |
| | Group 3 | 3 Hinges | TA386 113 x 100mm NRP | 32D | McKinney |
| | | 1 Electric Strike | 7400 -24 x 783S | 630 | HES |
| 1 Exit Device-Exit Only | | 7100 | 32D | Yale | |
| 1 Exit Device Trim | | 634F | 32D | Yale | |
| 1 Prox Reader/ Keypad | | 4293 x Antenna Backplate c/w 8' Alpha 1174C Antenna Cable x SolLink Plus Software | | Sargent | |
| 20 KeyTags | | ProxKey | | Sargent | |
| 1 Power Supply | | 3520 x 738 | | Sargent | |
| 1 Closer | | P7500 | SS | Norton | |
| 1 Concealed O/H Stop | | 6-346 | 32D | Rixson | |
| 1 Kickplate | | GSH 80A 250 x 863mm | 32DG | SH | |
| Group 4 | 6 Hinges | TA386 113 x 100mm NRP | 32D | McKinney | |
| | 1 Electric Strike | 7400 -24 x 783S | 630 | HES | |
| | 1 Exit Device-Exit Only | 7100 | 32D | Yale | |
| | 1 Exit Device Trim | 634F | 32D | Yale | |
| | 2 Flushbolts | GSH 401 | 26D | GSH | |
| | 1 Prox Reader/ Keypad | 4293 x Antenna Backplate c/w 8' Alpha 1174C Antenna Cable x SolLink Plus Software | | Sargent | |
| | 20 KeyTags | ProxKey | | Sargent | |
| | 1 Power Supply | 3520 x 738 | | Sargent | |
| | 1 Closer | P7500 | SS | Norton | |
| | 2 Concealed O/H Stops | 6-346 | 32D | Rixson | |



| NO. | REVISIONS | DATE | BY |
|-----|----------------------|----------|----|
| 02 | 793-2006 ADDENDUM 02 | 07/04/05 | LK |
| 01 | 793-2006 ADDENDUM 01 | 07/03/29 | LK |
| 00 | ISSUED FOR TENDER | 07/03/19 | LK |

| DESIGNED BY | TWS | CHECKED BY | BJS |
|-------------|------------|-------------------------------|---------------|
| DRAWN BY | REH/LK | APPROVED BY | AHL |
| SCALE: | AS NOTED | RELEASED FOR CONSTRUCTION BY: | R. SOROKOWSKI |
| DATE | 2005/08/03 | DATE | 2007/03/19 |

ENGINEER'S SEAL
ORIGINAL SIGNED BY
NEIL COOPER
2007/03/19
CONSULTANT DRAWING NO.
WB-B0503

THE CITY OF WINNIPEG
WATER AND WASTE DEPARTMENT
ENGINEERING DIVISION

WATER TREATMENT PLANT
MAIN BUILDING
BUILDING ENVELOPE

ARCHITECTURAL
DOOR SCHEDULE
HEAD & JAMB DETAILS

CITY FILE NUMBER
SHEET OF
CITY DRAWING NUMBER
1-0601B-A-B0503-001-02D