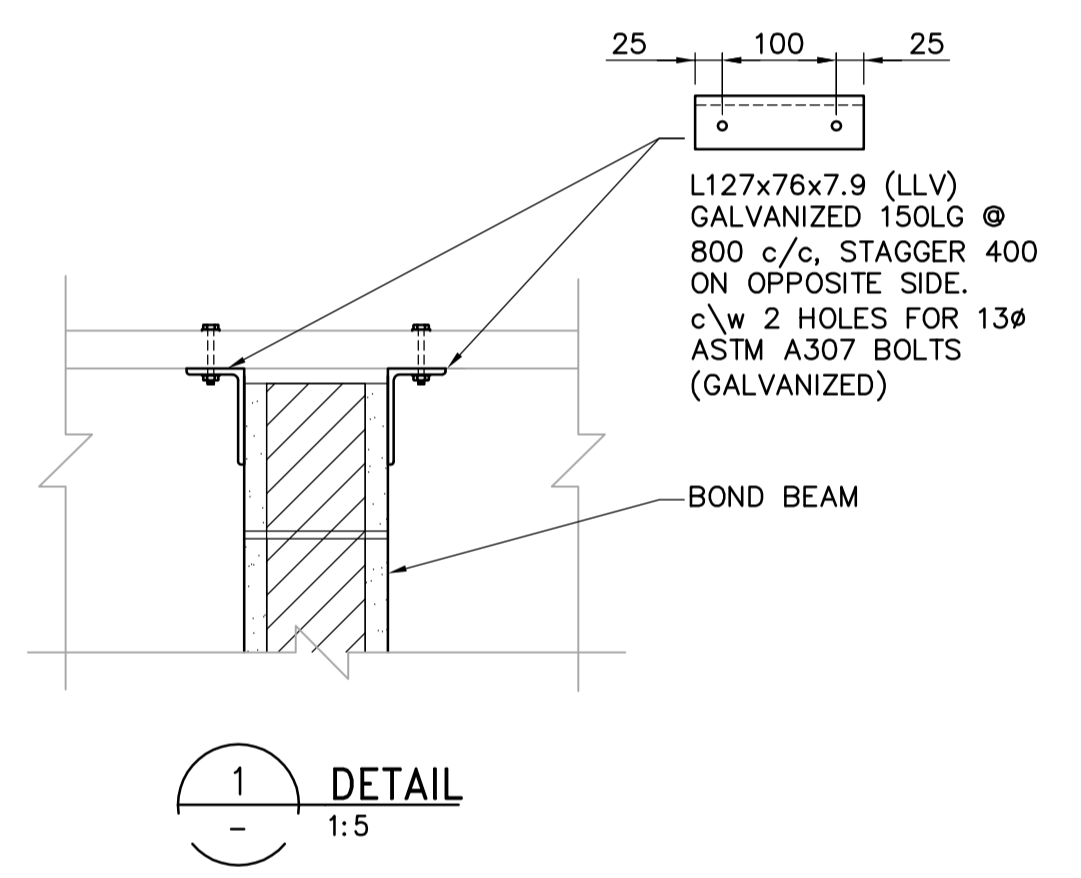
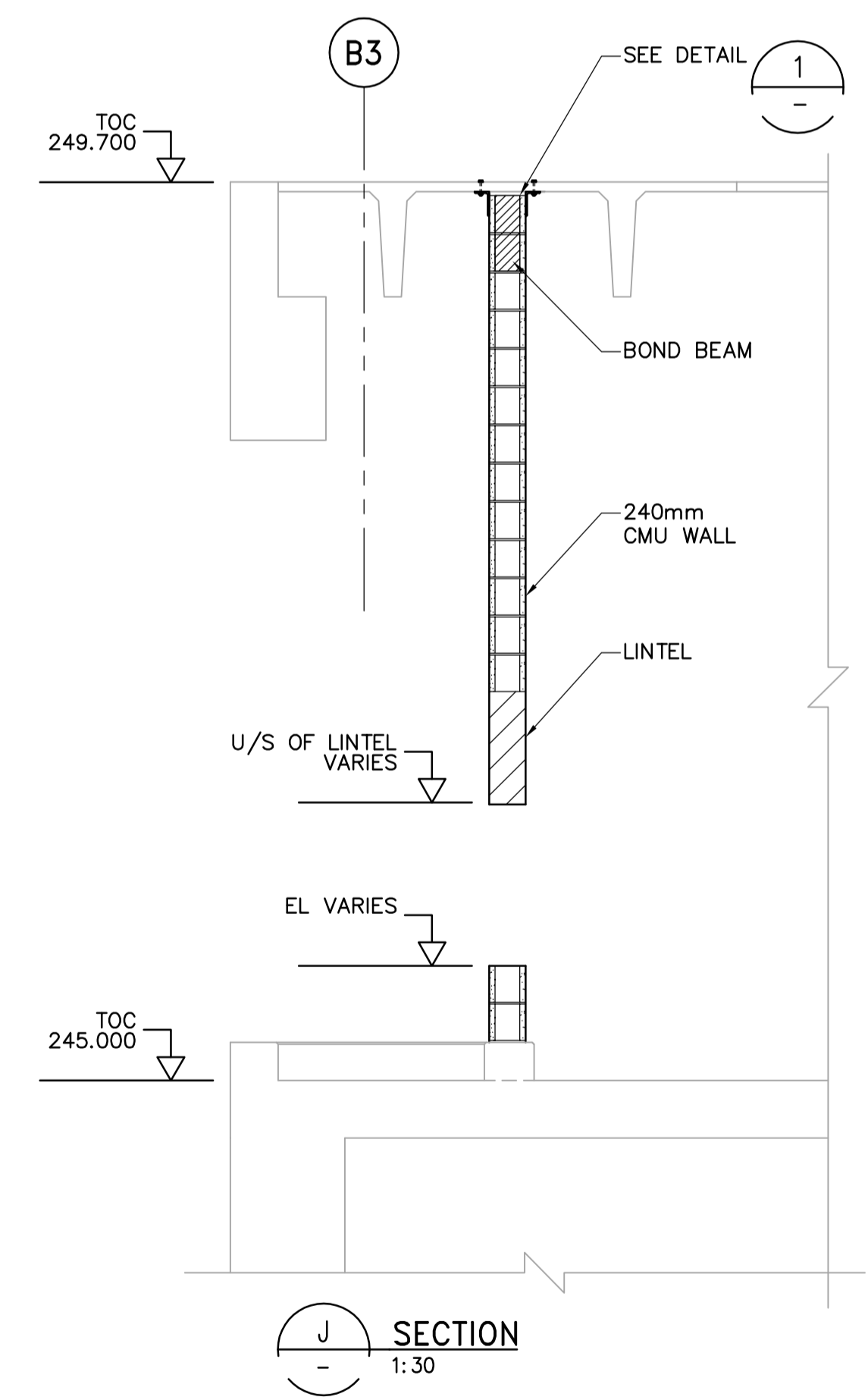
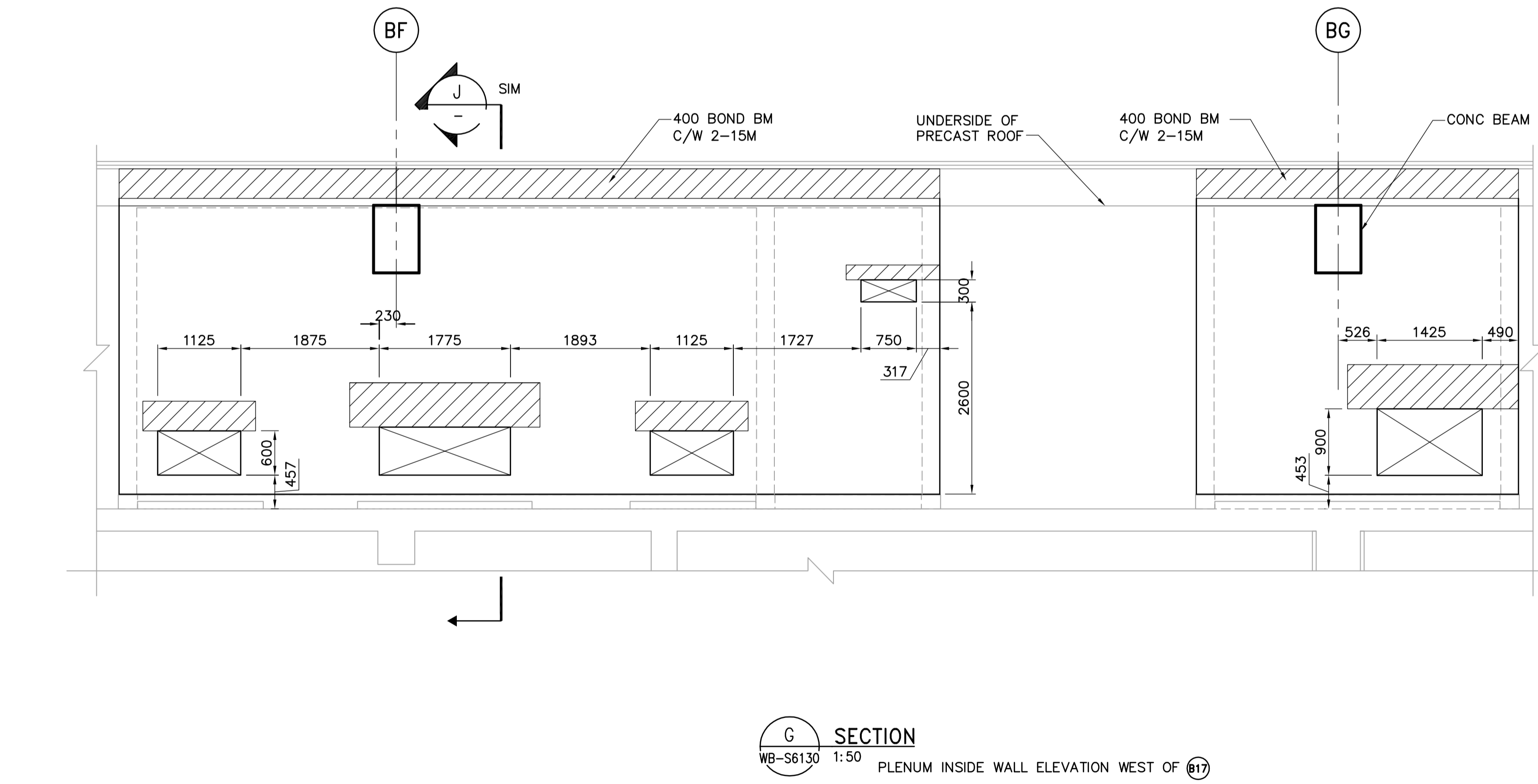
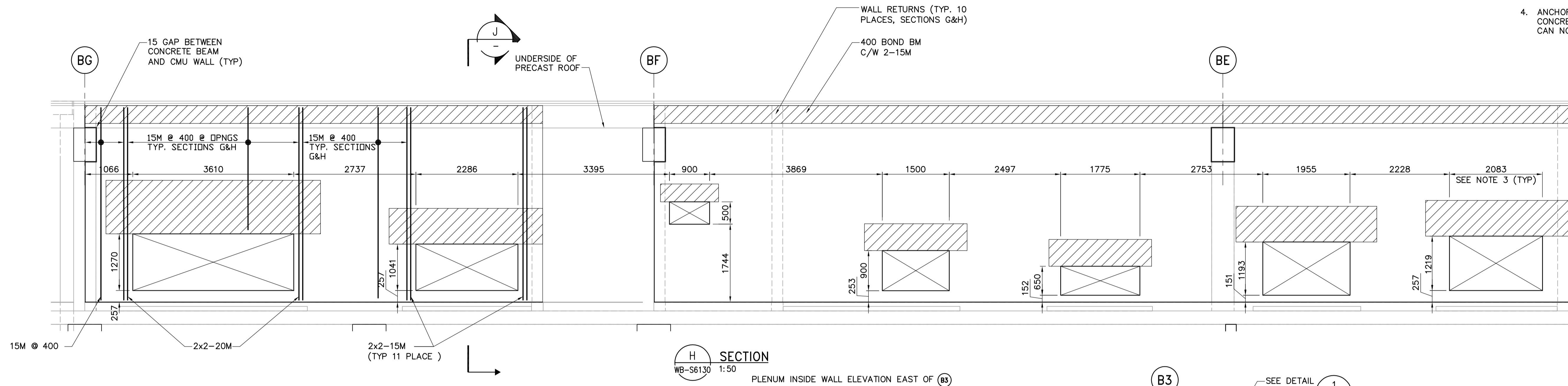


NOTES:

- AREAS SHOWN THUS INDICATE GENERAL LOCATION OF LINTELS AND BOND BEAMS
- FOR DETAILS OF LINTELS, BOND BEAMS, AND CORE FILLS REFER TO AND WB-S6451 WB-S6451
- COORDINATE EXACT DIMENSIONS AND LOCATIONS OF OPENINGS WITH BO 742-2005 CONTRACTOR.
- ANCHOR LINTEL HORIZONTAL 'A' BARS TO CONCRETE COLUMN IF REQUIRED EXTENSION CAN NOT BE MET ON THE SIDE OF OPENING.



<p>Certificate of Authorization CH2M HILL Canada Ltd. No. 1441 Expiry: April 30, 2007</p>	<p>Frederickson Cooper ARCHITECTS</p>		<p>A Tyco International Ltd. Company</p>		ENGINEER'S SEAL ORIGINAL SIGNED BY D. KRUGER 2007/03/29	<p>THE CITY OF WINNIPEG WATER AND WASTE DEPARTMENT ENGINEERING DIVISION</p> <p>WATER TREATMENT PLANT CHEMICAL FEED SYSTEMS OFFICE AND PLANT INTERIOR FINISHES</p> <p>STRUCTURAL OVERALL BUILDING LOUVRE SECTIONS</p>	CITY FILE NUMBER
	DESIGNED BY: MH	CHECKED BY: AP	CONSULTANT DRAWING NO. WB-S6203		SHEET OF		
	DRAWN BY: CR	APPROVED BY: AHL	RELEASED FOR CONSTRUCTION BY: R. SOROKOWSKI		CITY DRAWING NUMBER		
	SCALE: 1:50	DATE: 2006/07/19	DATE: 2007/03/29		1-0601B-A-S6203-001-000		
B.M. ELEV. NO. REVISIONS DATE BY		NO. REVISIONS DATE BY					