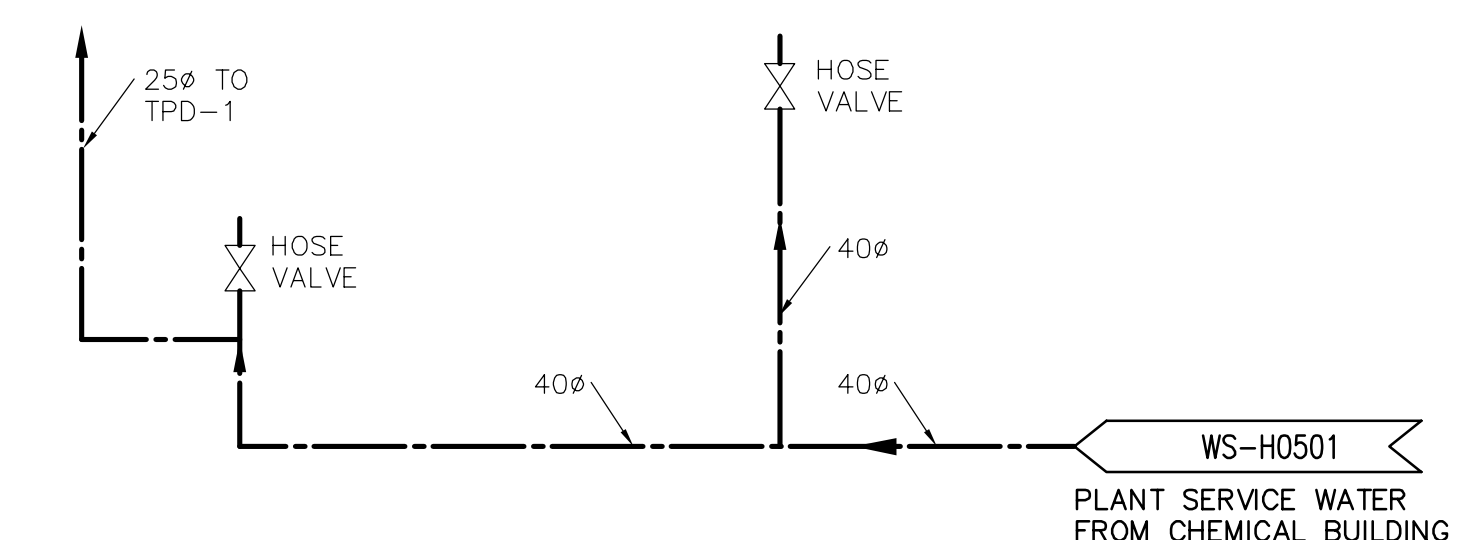
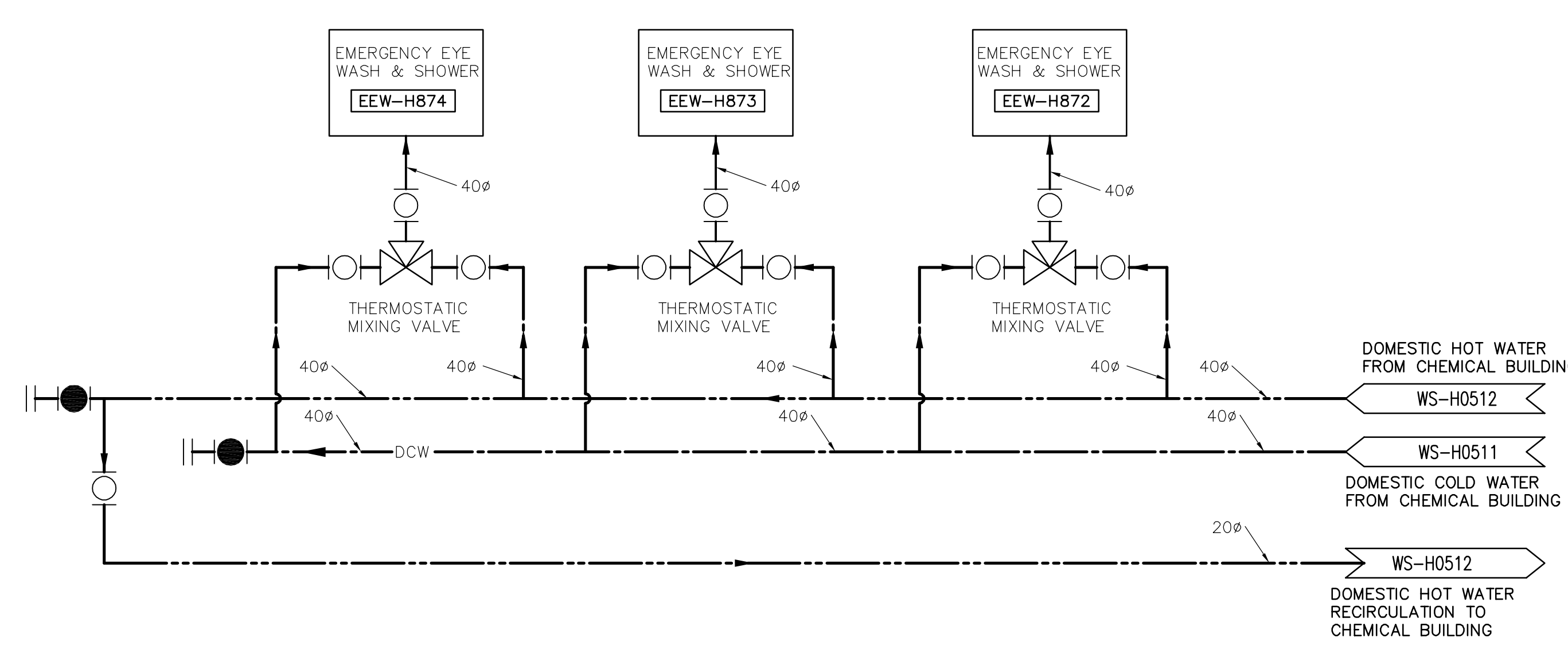


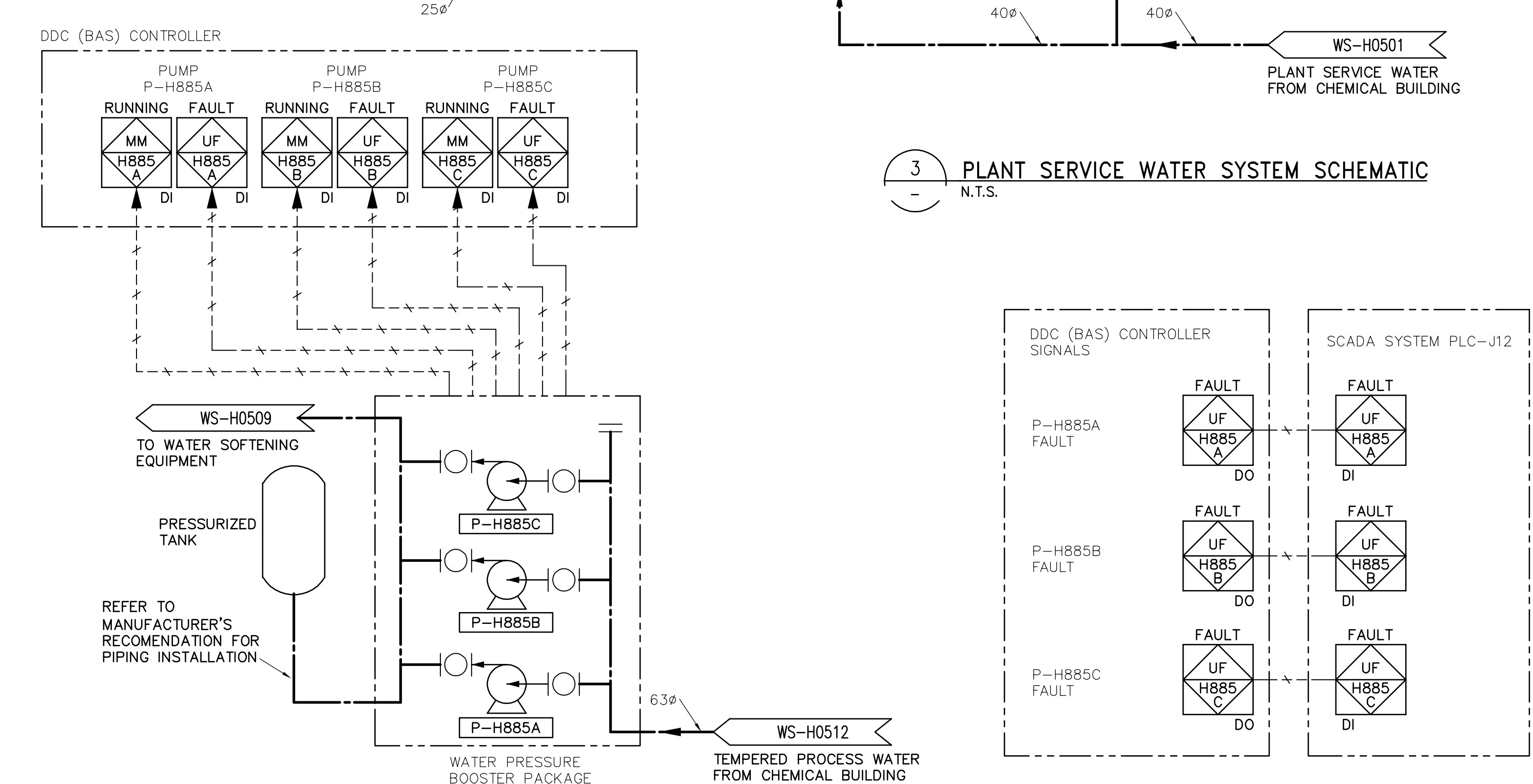
1  
-  
HYDRONIC HEATING SCHEMATIC  
N.T.S.



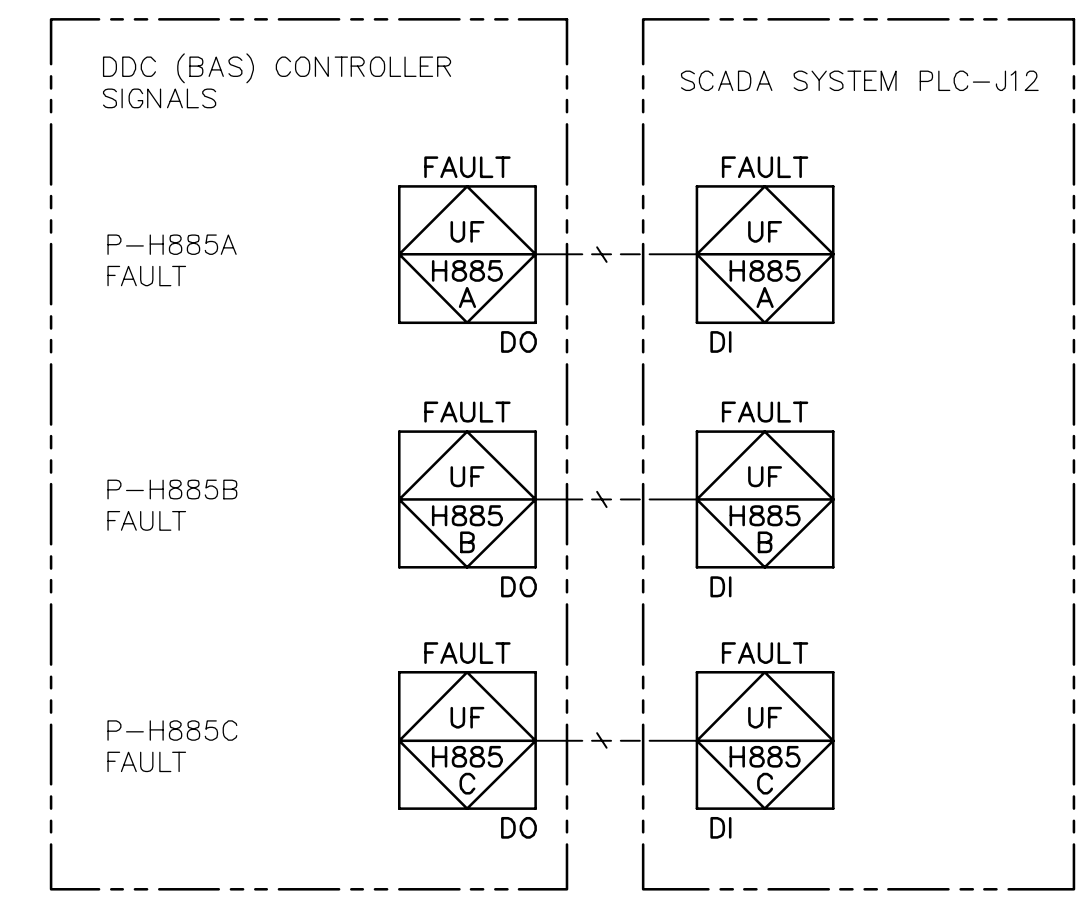
3  
-  
PLANT SERVICE WATER SYSTEM SCHEMATIC  
N.T.S.



2  
-  
DOMESTIC WATER SYSTEM SCHEMATIC  
N.T.S.



4  
-  
TEMPERED PROCESS WATER SYSTEM SCHEMATIC  
N.T.S.



B.M. ELEV.			
ISSUED FOR TENDER	07/01/31	TT	
NO. REVISIONS		DATE	BY
		2006/10/16	

DESIGNED BY	TT	CHECKED BY	DKC
DRAWN BY	TT	APPROVED BY	AHL
SCALE:	NTS	RELEASED FOR CONSTRUCTION BY:	R. SOROKOWSKI
		DATE	2007/01/31

ENGINEER'S SEAL  
 ORIGINAL SIGNED BY  
 D.K. CUDDINGTON  
 2007/01/31  
 CONSULTANT DRAWING NO.  
 WJ-H0505

**THE CITY OF WINNIPEG**  
 WATER AND WASTE DEPARTMENT  
 ENGINEERING DIVISION

WATER TREATMENT PLANT  
 SODIUM HYPOCHLORITE BUILDING  
 SODIUM HYPOCHLORITE AND CHEMICAL STORAGE BUILDINGS

HVC AND PLUMBING  
 SODIUM HYPOCHLORITE BUILDING  
 HEATING AND VENTILATION SCHEMATICS

CITY FILE NUMBER  
 SHEET OF  
 CITY DRAWING NUMBER  
 1-0601J-G-H0505-001-000