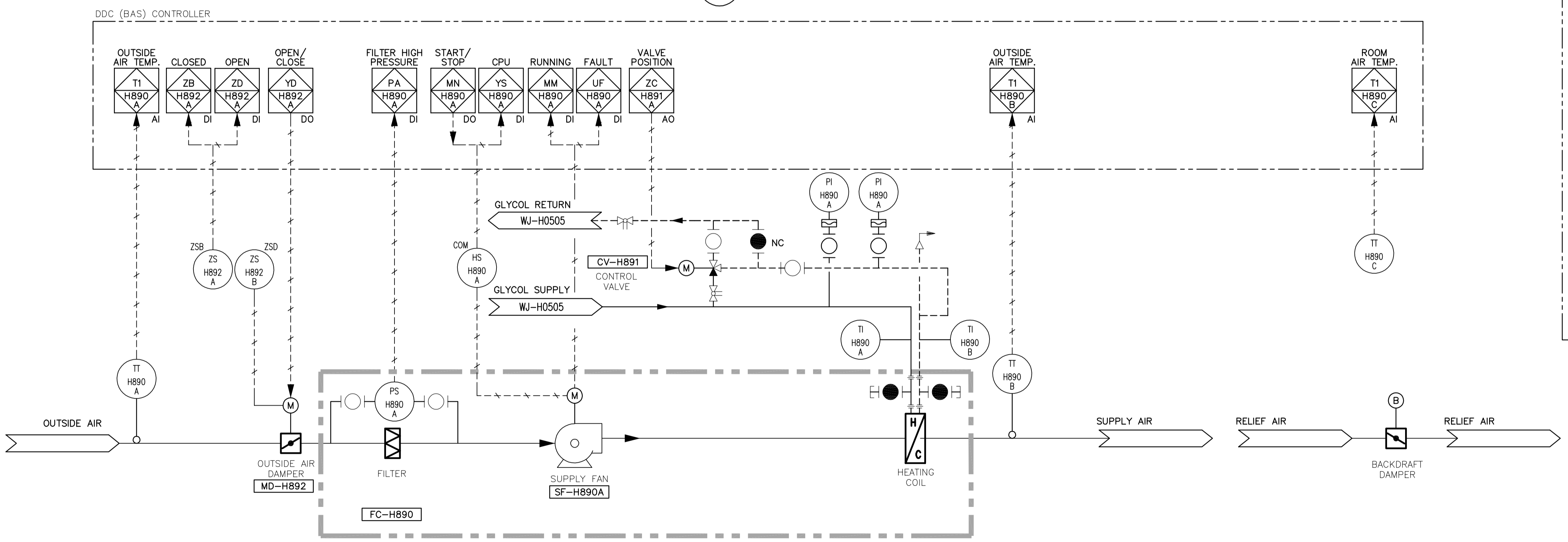
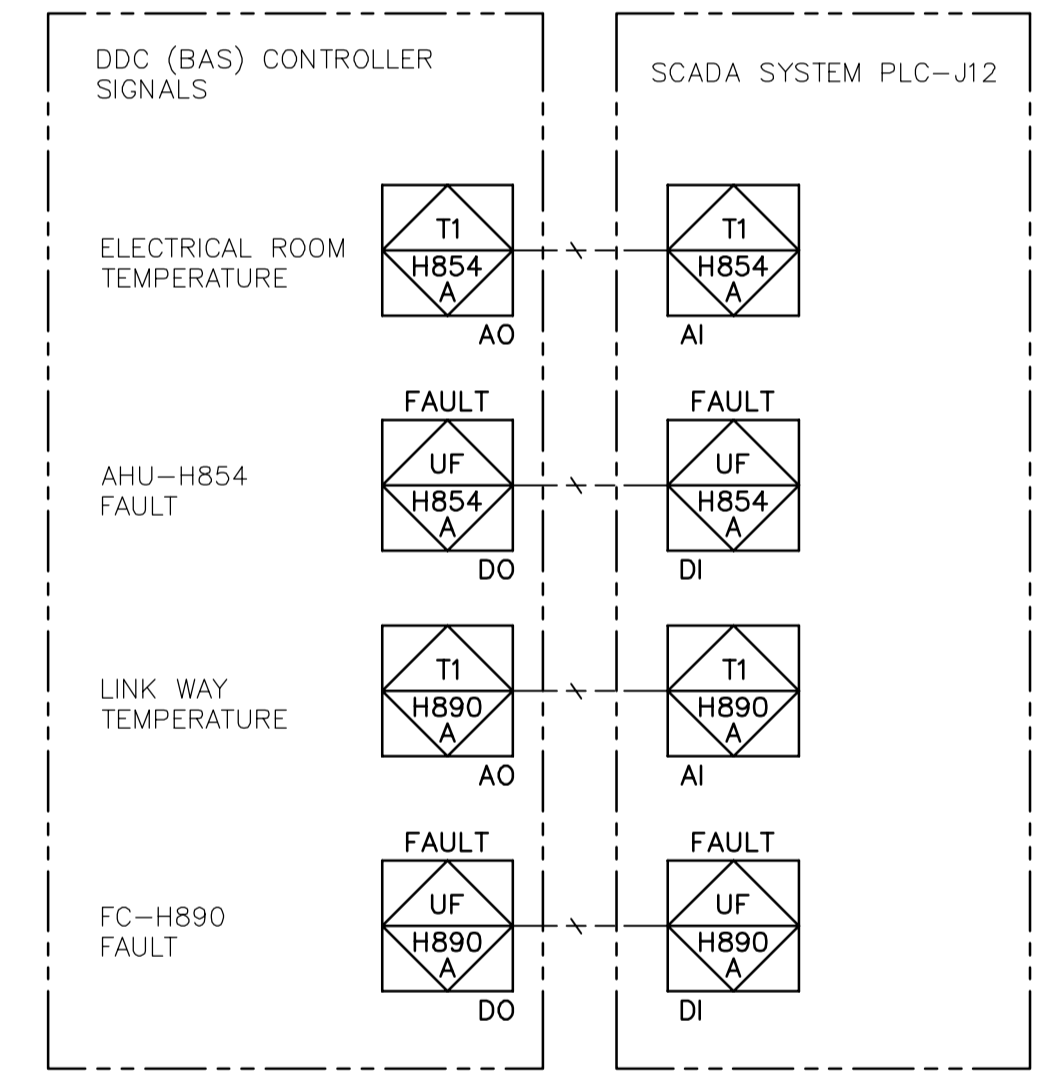


1 ELECTRICAL ROOM COOLING AND VENTILATION SCHEMATIC (AHU-H854)
N.T.S.



2 LINK WAY HEATING AND VENTILATION SCHEMATIC (FC-H890)
N.T.S.



APEG
Certificate of Authorization
CH2M HILL Canada Ltd.
No. 1441 Expiry: April 30, 2007

B.M. ELEV.			
DESIGNED BY	TT	CHECKED BY	DKC
DRAWN BY	TT	APPROVED BY	AHL
SCALE:	NTS	RELEASED FOR CONSTRUCTION BY:	R. SOROKOWSKI
00 ISSUED FOR TENDER	07/01/31	DATE	2006/10/16
NO. REVISIONS	DATE	BY	DATE

CH2MHILL
Frederickson Cooper ARCHITECTS

EarthTech
A Tyco International Ltd. Company

DESIGNED BY: TT
CHECKED BY: DKC
DRAWN BY: TT
APPROVED BY: AHL
SCALE: NTS
RELEASED FOR CONSTRUCTION BY: R. SOROKOWSKI
DATE: 2007/01/31

ENGINEER'S SEAL
ORIGINAL SIGNED BY
D.K. CUDDINGTON
2007/01/31
CONSULTANT DRAWING NO.
WJ-H0504

THE CITY OF WINNIPEG
WATER AND WASTE DEPARTMENT
ENGINEERING DIVISION

WATER TREATMENT PLANT
SODIUM HYPOCHLORITE BUILDING
SODIUM HYPOCHLORITE AND CHEMICAL STORAGE BUILDINGS

HVAC AND PLUMBING
SODIUM HYPOCHLORITE BUILDING
HEATING AND VENTILATION SCHEMATICS

CITY FILE NUMBER
SHEET OF
CITY DRAWING NUMBER
1-0601J-G-H0504-001-000