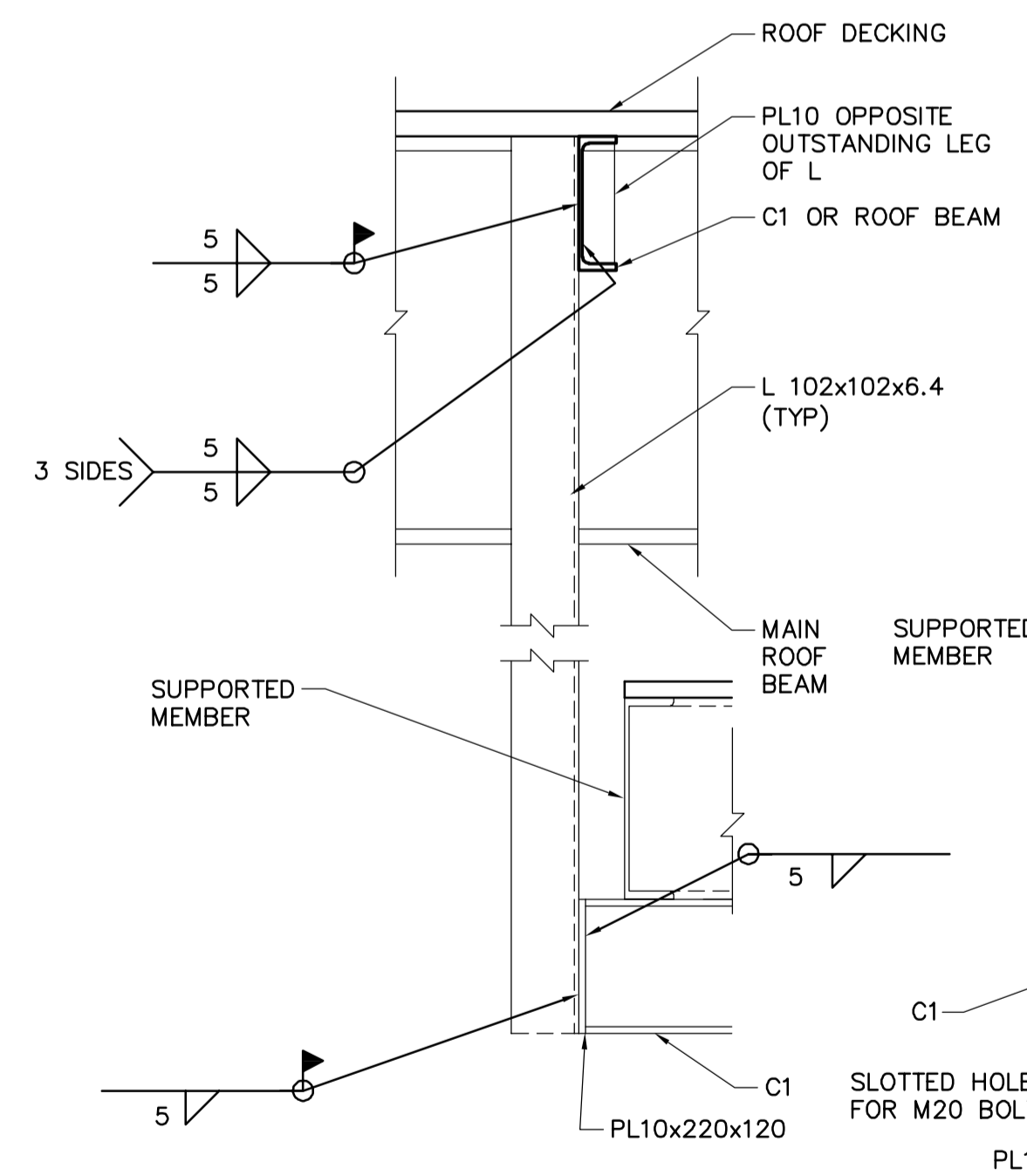


LOCATE POSITION OF HANGERS IN THE ROOF STRUCTURE. WHEN THERE IS NO ROOF BEAM AT THE HANGER LOCATION, PROVIDE C1. TYP ALL HANGER LOCATIONS

1 DETAIL
WJ-S0111 1:50

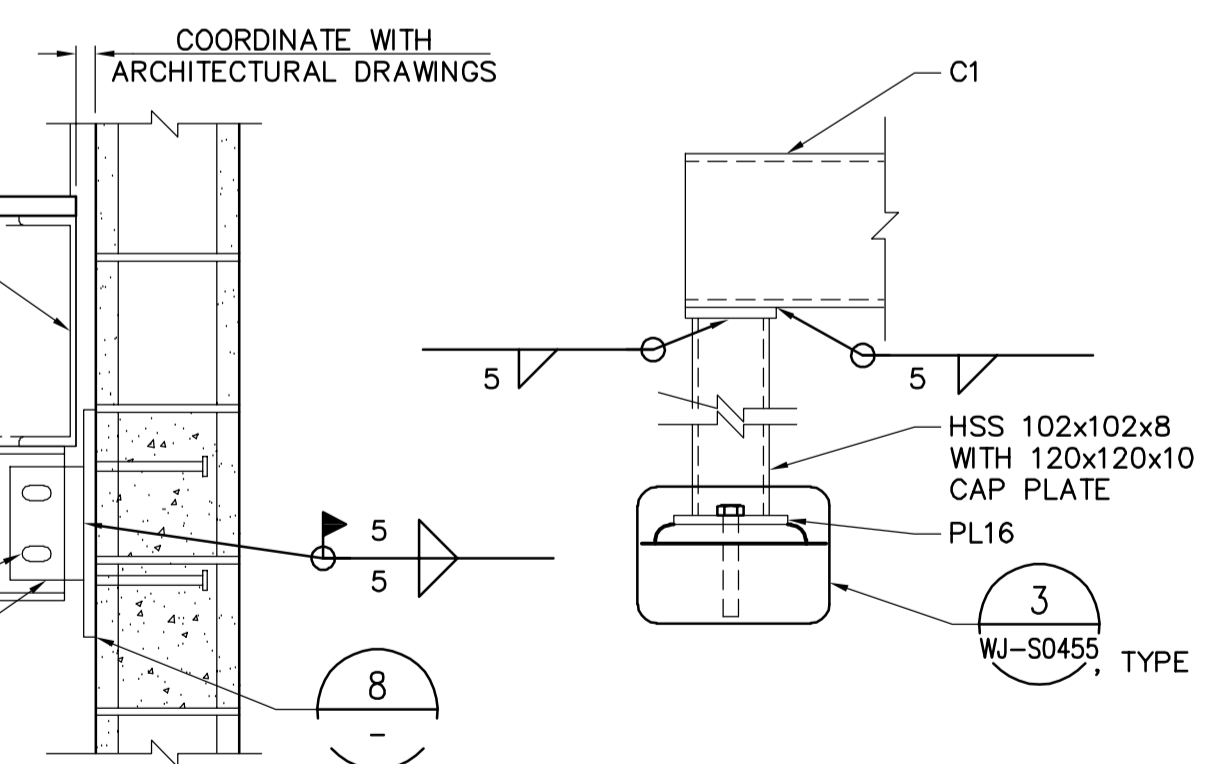


3 NOT USED
N.T.S.

4 DETAIL
N.T.S.

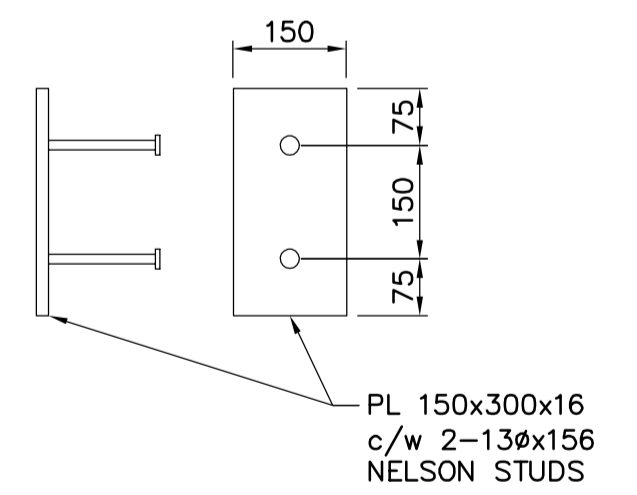
5 DETAIL
N.T.S.

6 DETAIL
1:10



7 NOT USED
N.T.S.

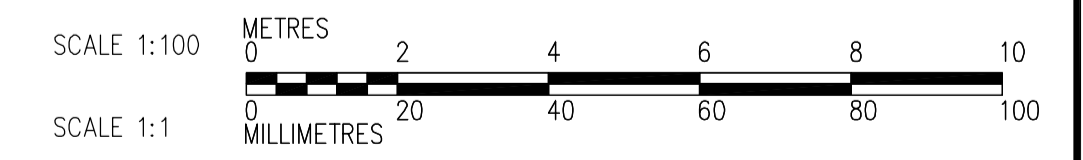
8 DETAIL
1:10



COORDINATE STAIR PLATFORM DIMENSIONS AND LOCATIONS WITH ARCHITECTURAL DRAWINGS

NOTE:

- 1. C1 C200x17
- 2. C2 C310X31
- X : SEE 4
- ⊗ : SEE 1
- : SEE 5
- : SEE 6



<p>APEGN Certificate of Authorization CH2M HILL Canada Ltd. No. 1441 Expiry: April 30, 2007</p>	B.M. ELEV.	<p>Frederickson Cooper ARCHITECTS</p>	<p>EarthTech A 100 International Ltd. Company</p>	ENGINEER'S SEAL	<p>THE CITY OF WINNIPEG WATER AND WASTE DEPARTMENT ENGINEERING DIVISION</p>	
	DESIGNED BY: MH			CHECKED BY: AP		ORIGINAL SIGNED BY: D. KRUGER
	DRAWN BY: CR			APPROVED BY: AHL		2007/01/31
	SCALE: AS NOTED			RELEASED FOR CONSTRUCTION BY: R. SOROKOWSKI		CONSULTANT DRAWING NO. WJ-S0401
00 ISSUED FOR TENDER	07/01/31 MH	DATE: 2006/10/30	DATE: 2007/01/31	WATER TREATMENT PLANT SODIUM HYPOCHLORITE BUILDING SODIUM HYPOCHLORITE AND CHEMICAL STORAGE BUILDINGS	CITY FILE NUMBER	
NO. REVISIONS	DATE	DATE	DATE	STRUCTURAL SODIUM HYPOCHLORITE BUILDING DETAILS	SHEET OF	
					CITY DRAWING NUMBER 1-0601J-A-S0401-001-000	