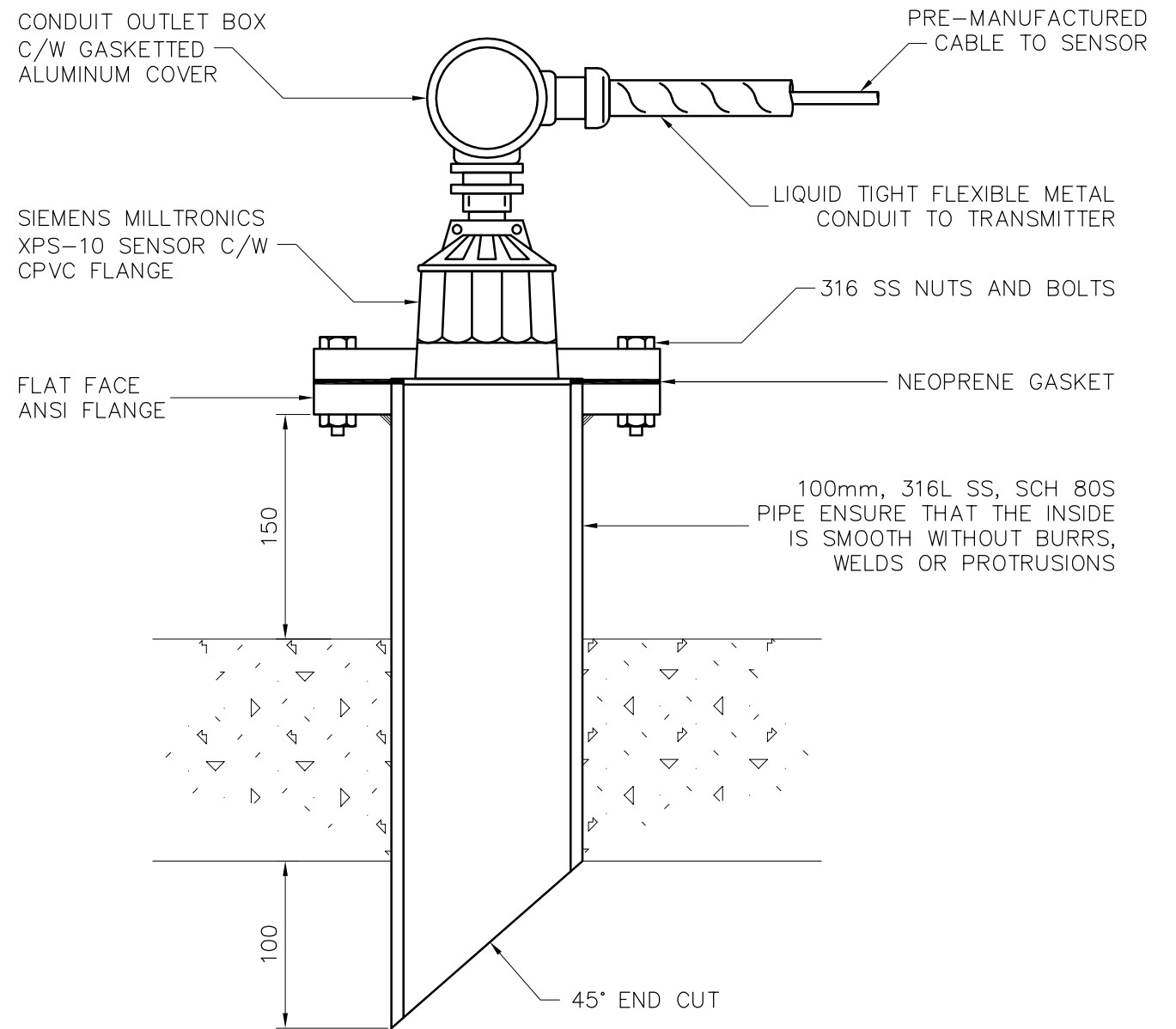


NOTES:

- 1) SENSOR MUST BE MOUNTED IN HORIZONTAL PLANE WITH RESPECT TO INFLUENT FLOW.
- 2) ALL BRACKET COMPONENTS TO BE 304 S.S. BRACKET TO BE MOUNTED WHERE ONLY ONE SECTION OF GRATING IS REQUIRED TO BE REMOVED FOR SENSOR ACCESS.
- 3) RG62U COAXIAL SIGNAL CABLE TO BE RUN INSIDE FLEXIBLE LIQUID TIGHT METALLIC CONDUIT AND FASTENED TO BRACKET WITH "P" CLAMPS.
- 4) SENSOR ELEVATION TO BE AS REQUIRED TO PROVIDE BLANKING SPACE.
- 5) CABLE TO RUN TO TRANSMITTER INDICATOR.

ULTRASONIC LEVEL TRANSDUCER



NOTE:

1. THE CONTRACTOR SHALL ENSURE THAT EACH SENSOR IS SUITABLE FOR ITS APPLICATION.

ULTRASONIC LEVEL TRANSDUCER

**APECM**  
 Certificate of Authorization  
 Earth Tech Canada Inc.  
 No. 730 Expiry: April 30, 2007

| NO. | REVISIONS                  | DATE     | BY  |
|-----|----------------------------|----------|-----|
| 04  | 792-2006 ISSUED FOR TENDER | 07/02/15 | LAE |
| 03  | ISSUED FOR CONSTRUCTION    | 06/12/01 | SRP |
| 02  | 498-2006 ISSUED FOR TENDER | 06/09/05 | LAE |
| 01  | ISSUED FOR CONSTRUCTION    | 06/07/28 | JBC |
| 00  | ISSUED FOR TENDER          | 06/03/29 | GLG |

|                  |   |
|------------------|---|
| DESIGNED BY: NT  | CHECKED BY: SWT                             |
| DRAWN BY: GLG    | APPROVED BY: AHL                            |
| SCALE: NTS       | RELEASED FOR CONSTRUCTION BY: R. SOROKOWSKI |
| DATE: 2006/01/03 | DATE: 2006/03/29                            |

ENGINEER'S SEAL  
 ORIGINAL SIGNED BY  
 S.W. TORMEY  
 2006/03/29  
 CONSULTANT DRAWING NO.  
 WB-A0401

**THE CITY OF WINNIPEG**  
 WATER AND WASTE DEPARTMENT  
 ENGINEERING DIVISION

WATER TREATMENT PLANT  
 MAIN BUILDING  
 MECHANICAL AND ELECTRICAL

AUTOMATION / I&C  
 ULTRASONIC LEVEL TRANSDUCER  
 INSTALLATION DETAILS

CITY FILE NUMBER  
 SHEET OF  
 CITY DRAWING NUMBER  
 1-0601B-D-A0401-001-04B