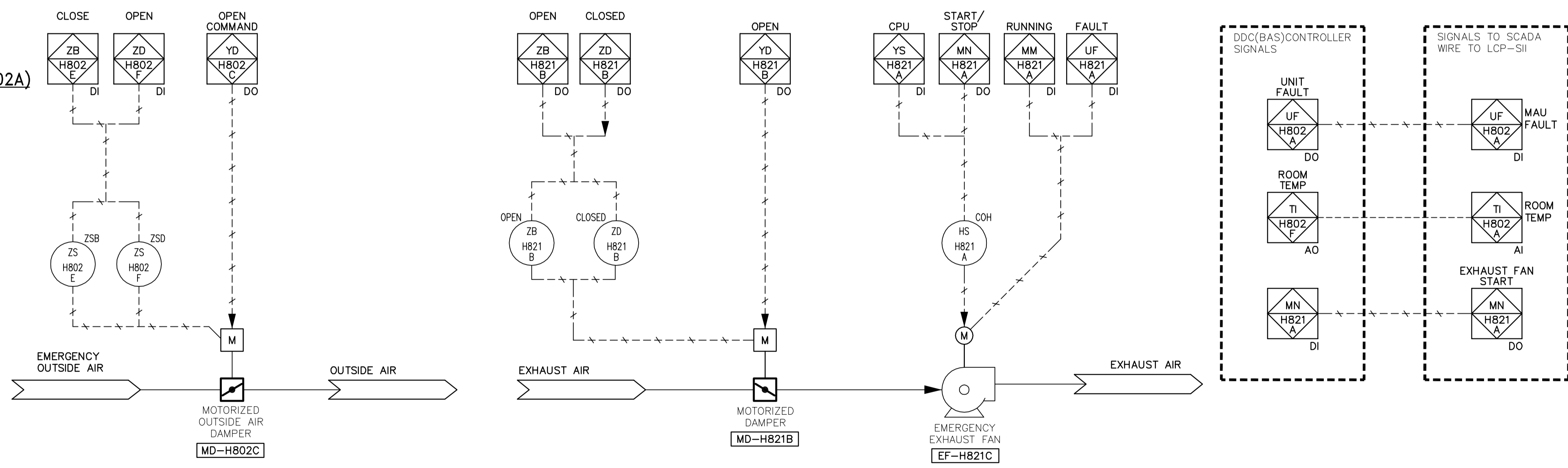
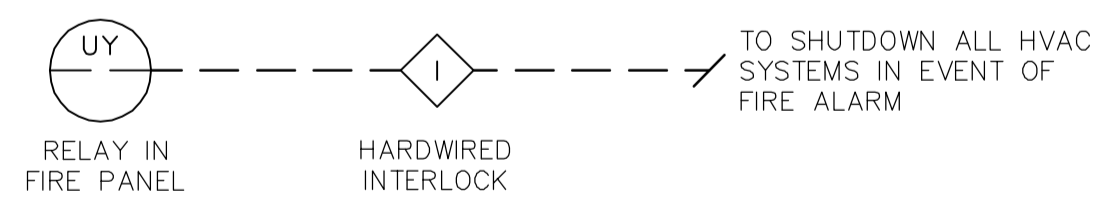


1 SODIUM HYDROXIDE ROOM HEATING AND VENTILATION SCHEMATIC (MAU-H802A)  
N.T.S.



**APECA**  
Certificate of Authorization  
Earth Tech Canada Inc.  
No. 730 Expiry: April 30, 2007

B.M. ELEV.			
DESIGNED BY	PVL/LJW	CHECKED BY	PVL/AMA
DRAWN BY	LJW	APPROVED BY	AHL
SCALE:	N.T.S.	RELEASED FOR CONSTRUCTION BY:	R. SOROKOWSKI
00 ISSUED FOR TENDER	07/01/31	DL	
NO. REVISIONS	DATE	BY	
	2006/09/11		

**CH2M HILL**  
Frederickson Cooper ARCHITECTS

**EarthTech**  
A Tyco International Ltd. Company

ENGINEER'S SEAL  
ORIGINAL SIGNED BY  
A. M. AFTANAS  
2007/01/31

CONSULTANT DRAWING NO.  
WS-H0515

**THE CITY OF WINNIPEG**  
WATER AND WASTE DEPARTMENT  
ENGINEERING DIVISION

WATER TREATMENT PLANT  
BULK CHEMICAL BUILDING  
SODIUM HYPOCHLORITE AND CHEMICAL STORAGE BUILDING

MECHANICAL  
SODIUM HYDROXIDE ROOM  
HEATING AND VENTILATION SYSTEM SCHEMATIC

CITY FILE NUMBER  
SHEET OF  
CITY DRAWING NUMBER  
1-06018-G-H0515-001-00D