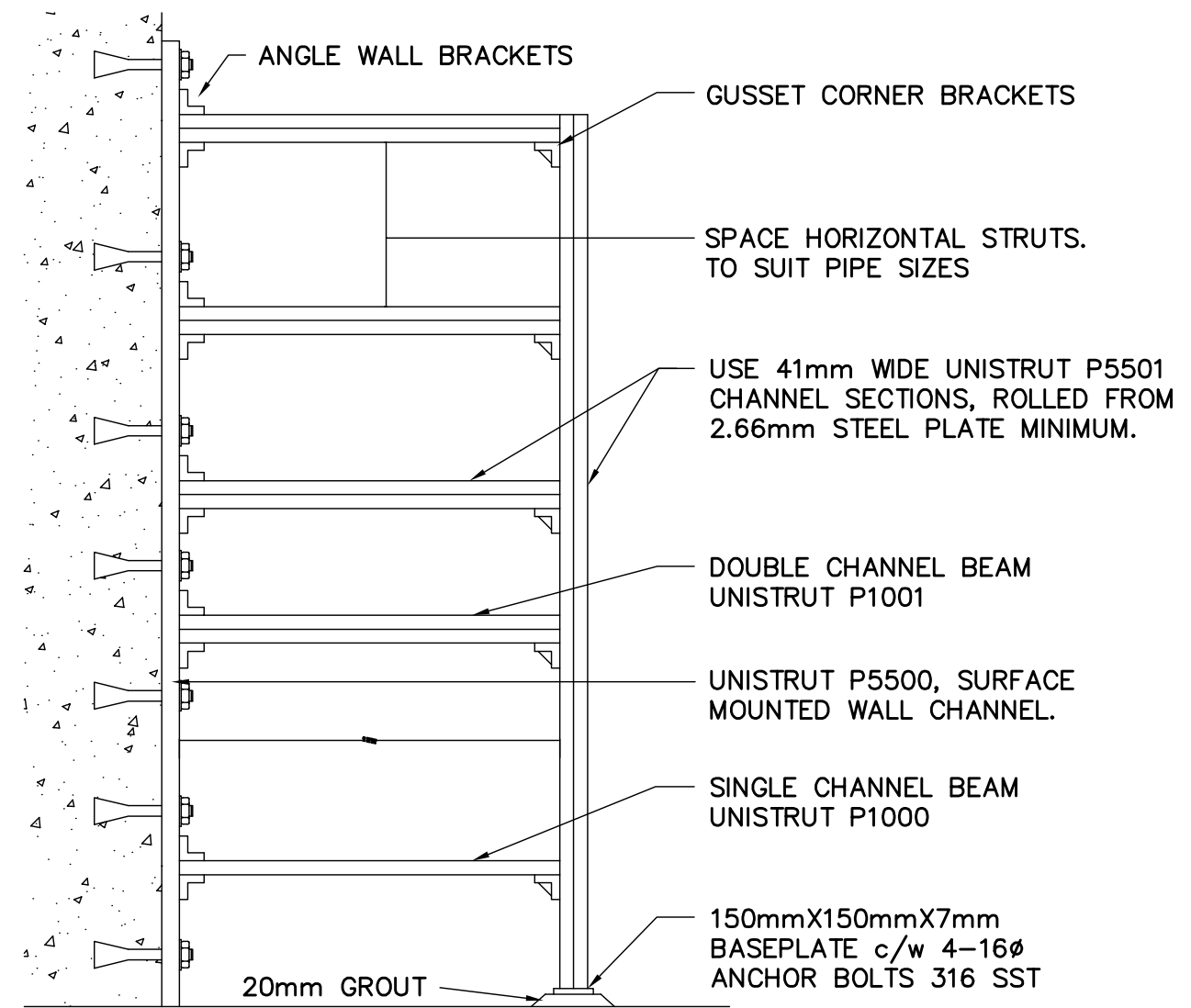


DIMENSION TABLE	
PIPE SIZE (DIA)	A (DIA)
65	65
80	65
100	75
150	75
200	75
250	75
300	75
350	75
400	75
500	100
600	100
750	100
900	100

NOTES:
1: ALL DIMENSIONS IN MILLIMETERS, UNLESS OTHERWISE NOTED.

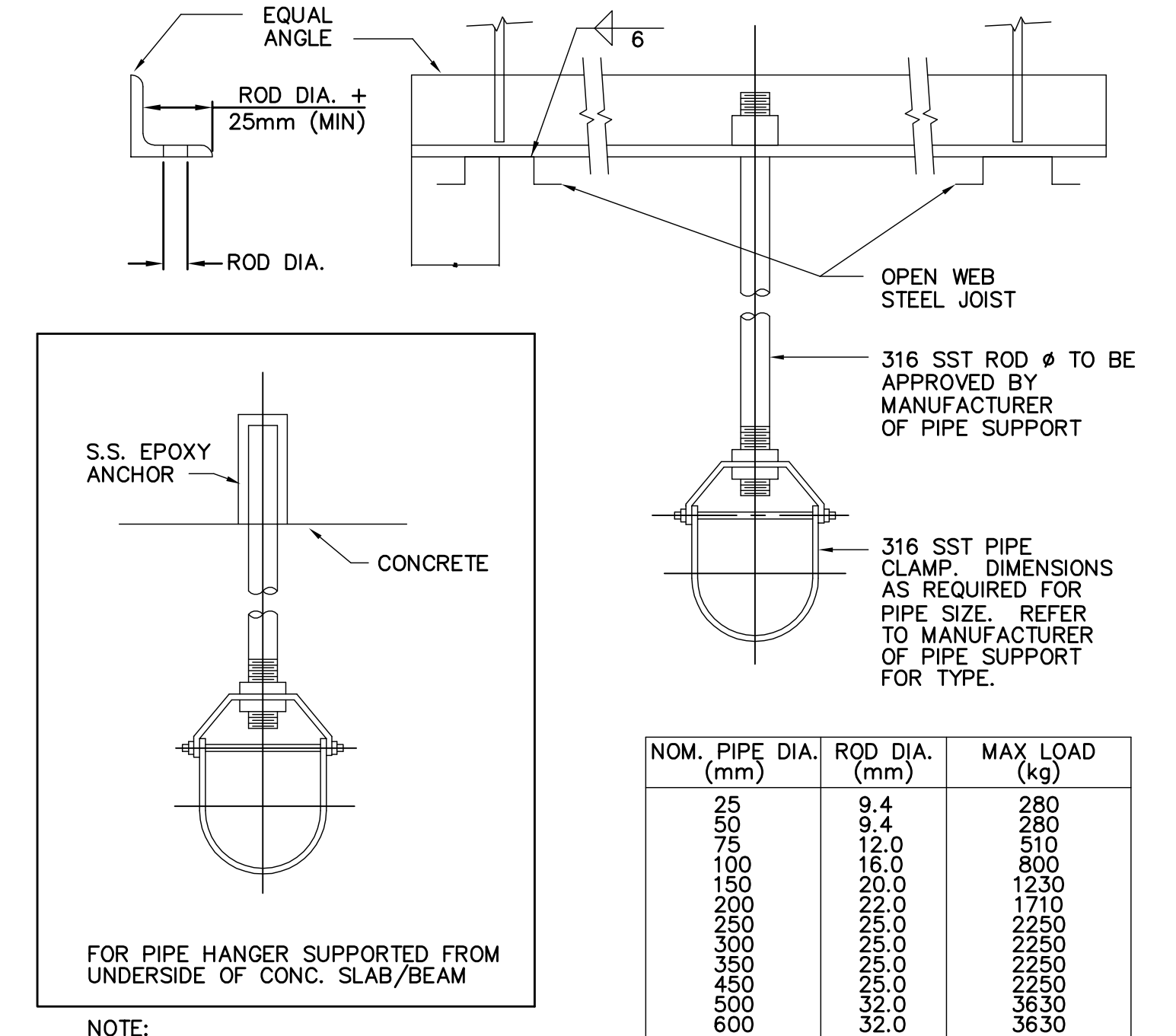
1 PIPE SUPPORT



BEAM WIDTH (mm)	MAXIMUM LOAD SINGLE CHANNEL UNISTRUT P1000 (kg)	MAXIMUM LOAD DOUBLE CHANNEL UNISTRUT P1001 (kg)	MAXIMUM COLUMN LOADING UNISTRUT P5501 (kg)	MAXIMUM LOAD DOUBLE CHANNEL UNISTRUT P5501 (kg)
600	770	1125	8400	1680
900	510	1125	8260	1680
1200	390	1080	7990	1680

MINIMUM SAFETY FACTOR = 3

2 PIPE RACK

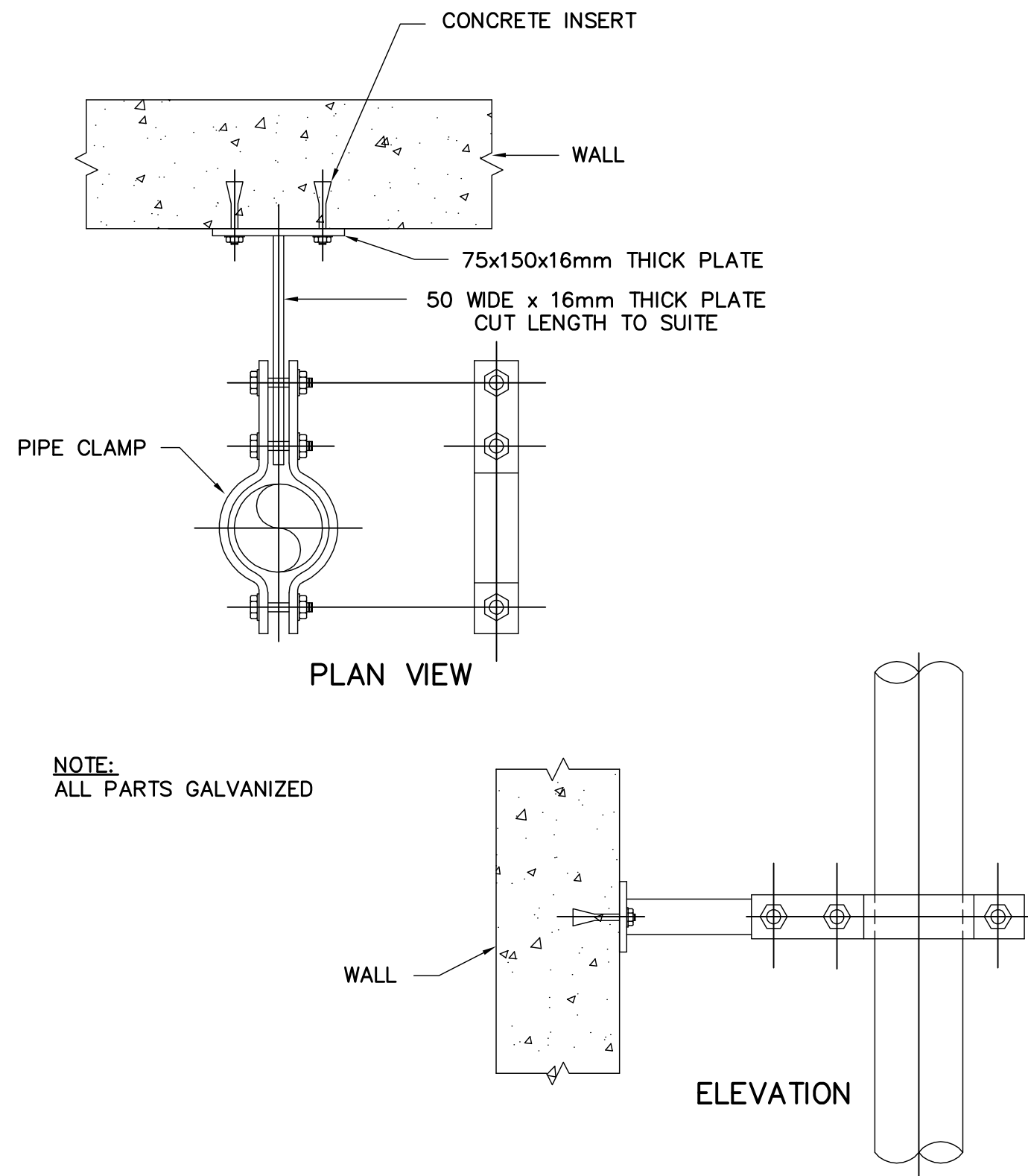


NOM. PIPE DIA. (mm)	ROD DIA. (mm)	MAX LOAD (kg)
25	9.4	280
50	9.4	280
75	12.0	510
100	16.0	800
150	20.0	1230
200	22.0	1710
250	25.0	2250
300	25.0	2250
350	25.0	2250
450	25.0	2250
500	32.0	3630
600	32.0	3630

NOTE: ALL PIPE HANGER MATERIAL IN RESERVOIR TO BE 316 SS

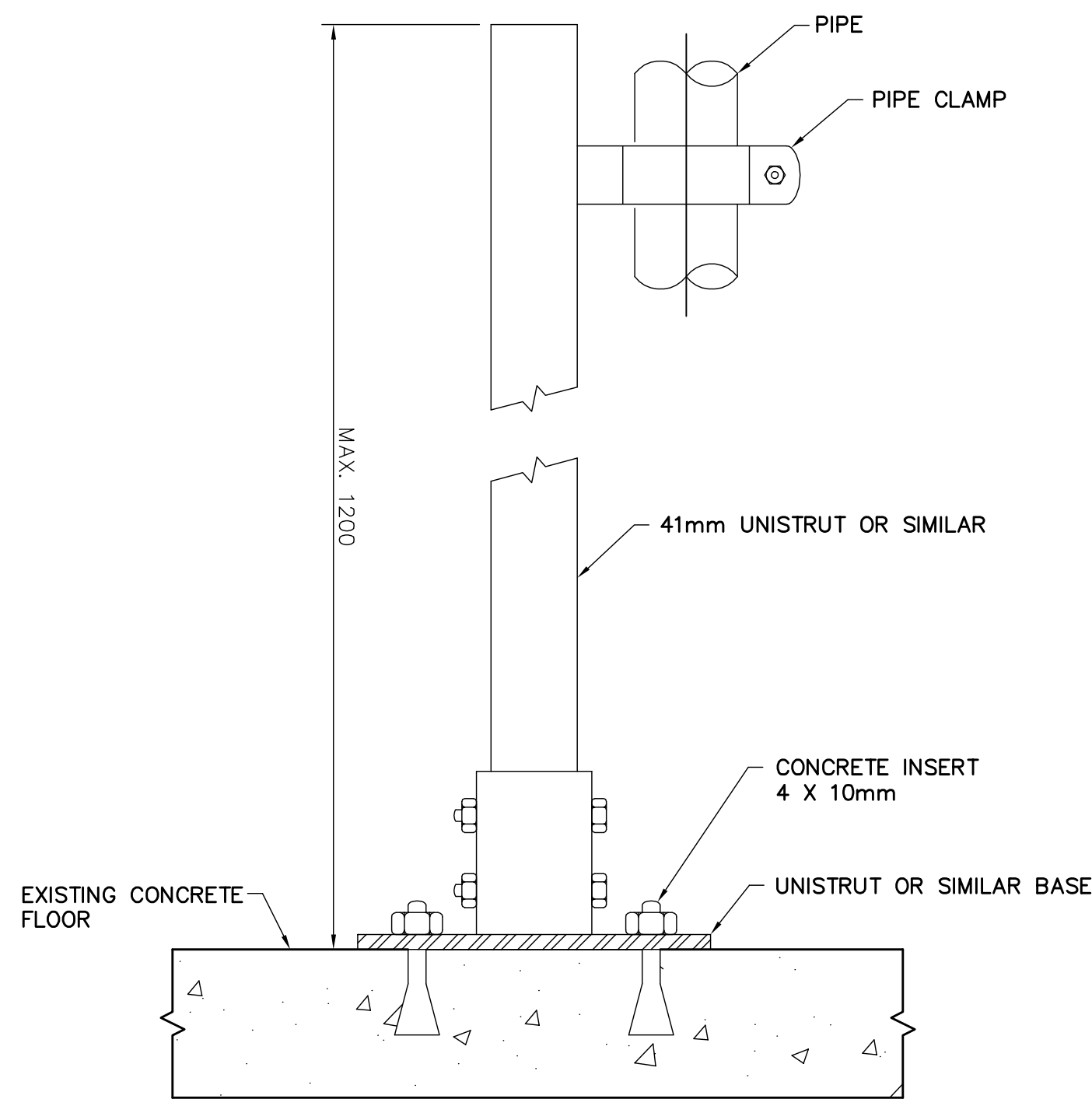
PROVIDE PIPE SUPPORT WITH SAFETY FACTOR = 5 GRINNELL OR SIMILAR

3 PIPE HANGER

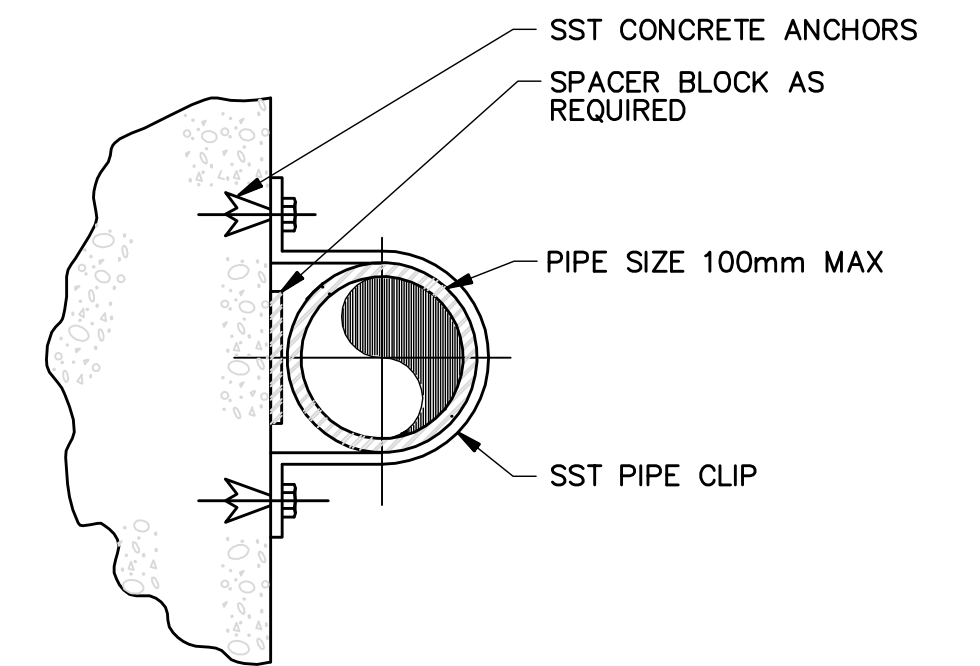


NOTE: ALL PARTS GALVANIZED

4 VERTICAL PIPE ALIGNMENT BRACKET



5 FLOOR MOUNTED VERTICAL PIPE SUPPORT



NOTES:
1. ALL DIMENSIONS IN MILLIMETERS, UNLESS OTHERWISE NOTED
2. FOR VERTICAL PIPES ONLY.
3. PROVIDE PIPE PROTECTION BARRIER AS SPECIFIED. FABRICATE OVERSIZE STRAP WHERE REQUIRED.

6 PIPE SUPPORT - WALL MOUNT

<p>Certificate of Authorization Earth Tech Canada Inc. No. 730 Expiry: April 30, 2007</p>	B.M. ELEV.	<p>Frederickson Cooper ARCHITECTS</p>	<p>A Tyco International Ltd. Company</p>	ENGINEER'S SEAL	<p>THE CITY OF WINNIPEG WATER AND WASTE DEPARTMENT ENGINEERING DIVISION</p>		
				DESIGNED BY SBW		CHECKED BY SRB	ORIGINAL SIGNED BY S.B. WILLIAMSON
				DRAWN BY LAE		APPROVED BY AHL	2007/01/31
				SCALE: NONE		RELEASED FOR CONSTRUCTION BY: R. SOROKOWSKI	CONSULTANT DRAWING NO. WS-M0402
	00 ISSUED FOR TENDER 07/01/31 LAE	NO. REVISIONS	DATE BY DATE 2005/10/25	DATE 2007/01/31	<p>WATER TREATMENT PLANT</p> <p>SODIUM HYPOCHLORITE AND CHEMICAL STORAGE BUILDINGS</p> <p>PROCESS MECHANICAL</p> <p>STANDARD DETAILS</p>		
					<p>CITY FILE NUMBER</p> <p>SHEET OF</p> <p>CITY DRAWING NUMBER</p> <p>1-0601S-D-M0402-001-000</p>		