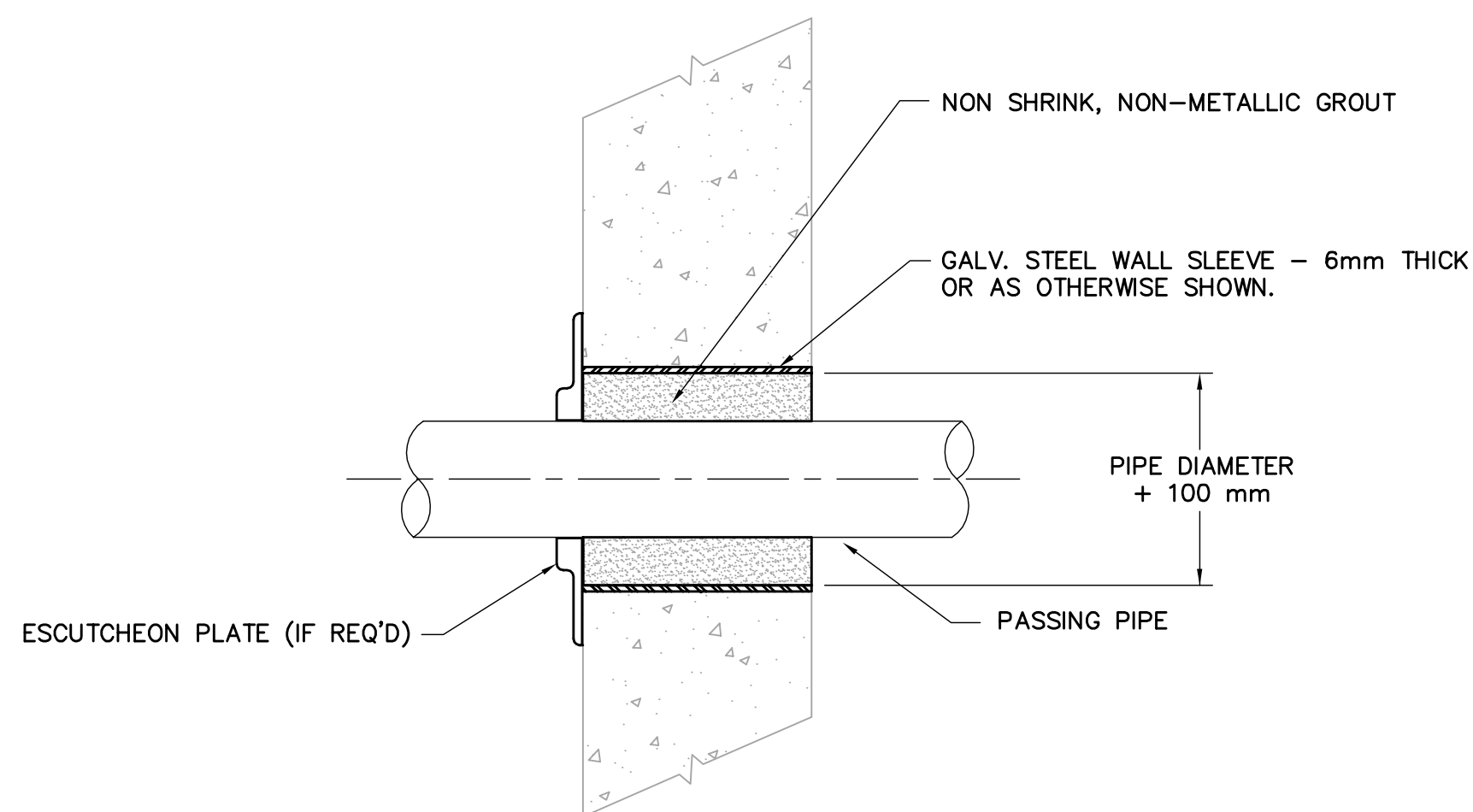


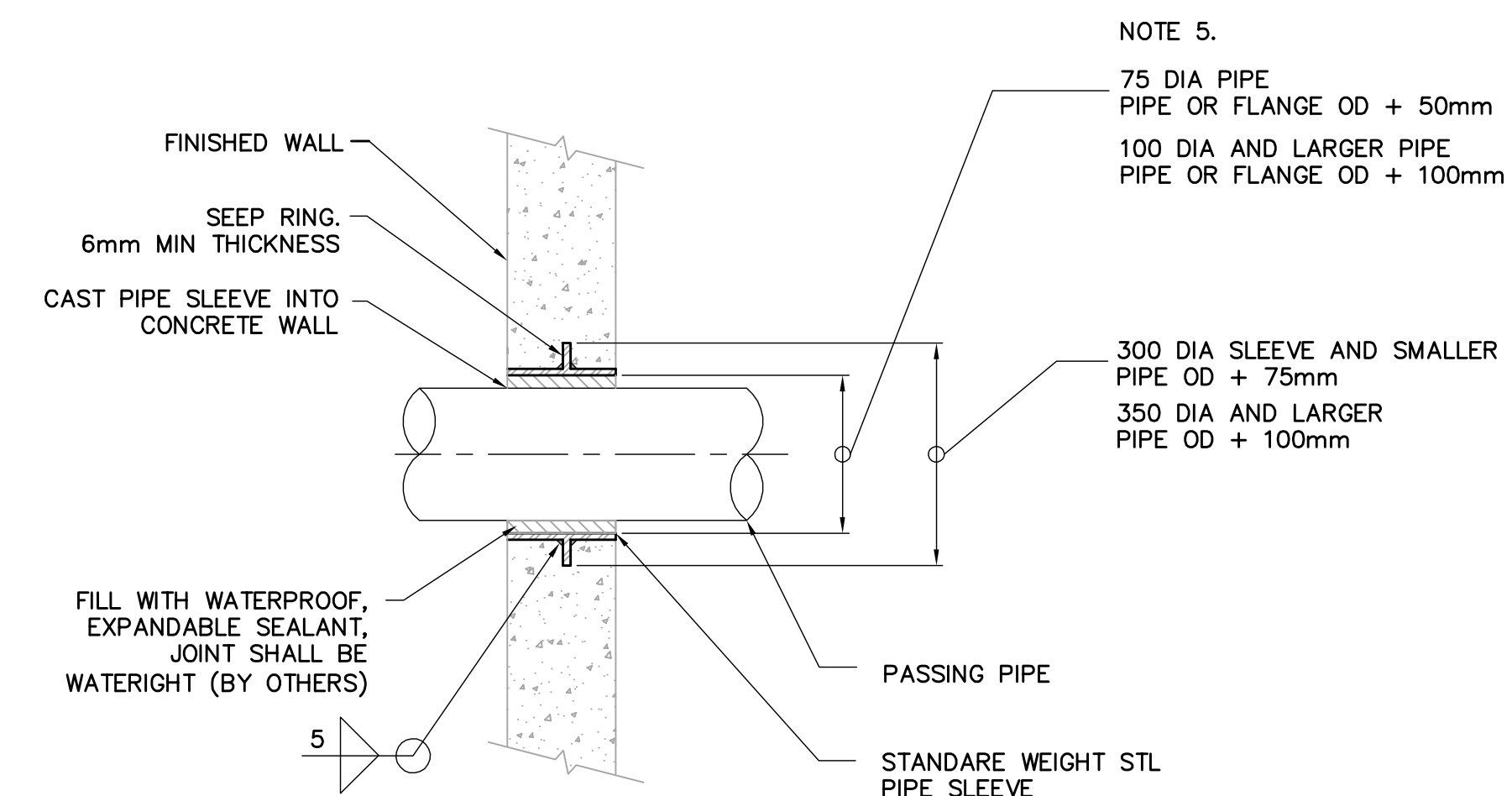
APPLICATION NOTES

1. GROUT RING REQ'D ONLY FOR PENETRATION IN WET AREAS OR BELOW GRADE.
2. LIQUID SIDE MUST PASS LEAKAGE TEST UNDER PRESSURE TO WHICH STRUCTURE IS SUBJECTED
3. FOR PENETRATIONS THROUGH EXISTING STRUCTURES CORE AND INSTALL SEAL PER MANUFACTURER'S SPEC'S (NO SLEEVE REQUIRED)
4. SUPPORT PIPE ON BOTH SIDES OF WALL PENETRATION.
5. USE STAINLESS STEEL HARDWARE.

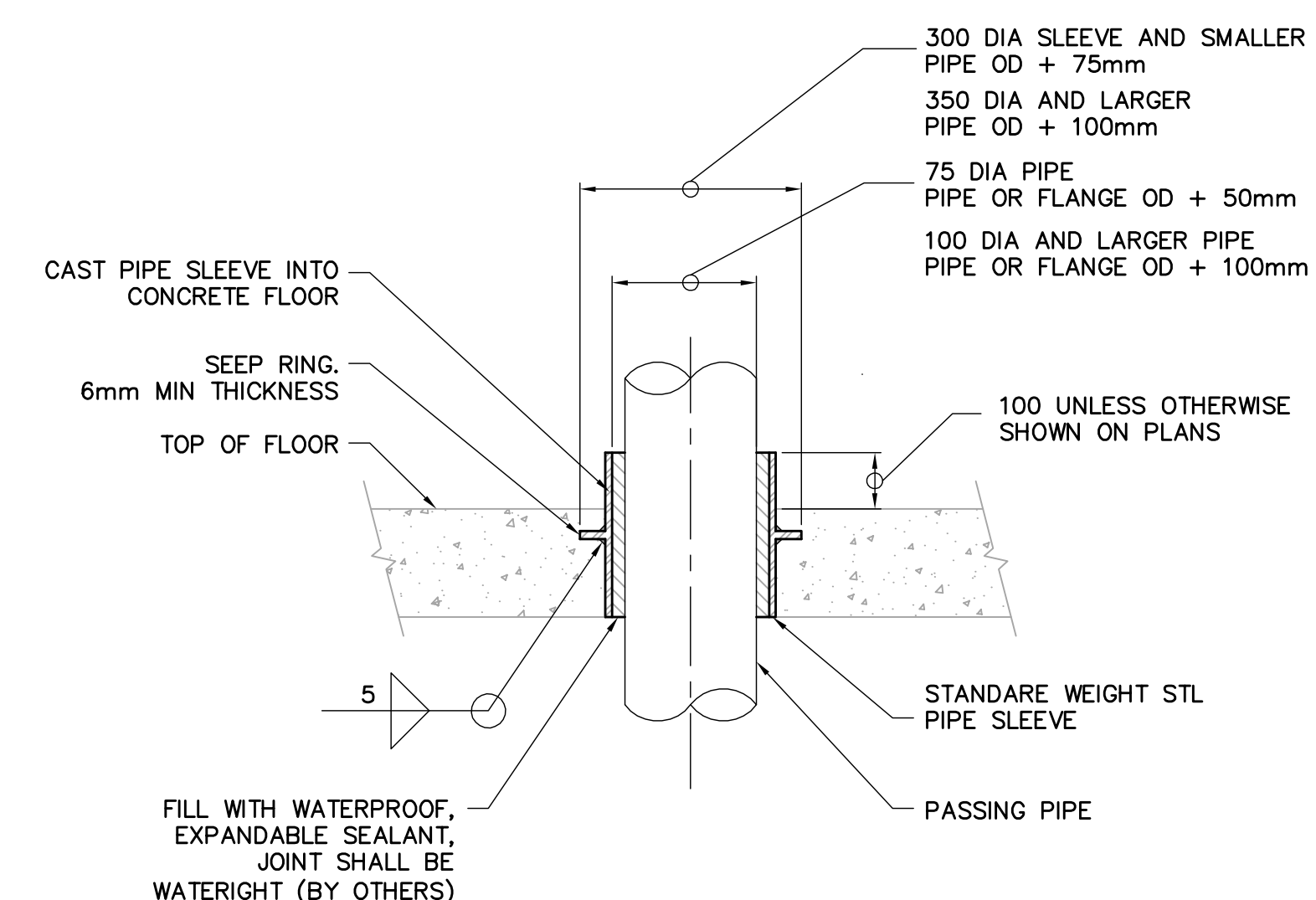
1 WALL & FLOOR PENETRATION NO. 1
N.T.S.



2 WALL PENETRATION NO. 2
N.T.S.



WALL SLEEVE

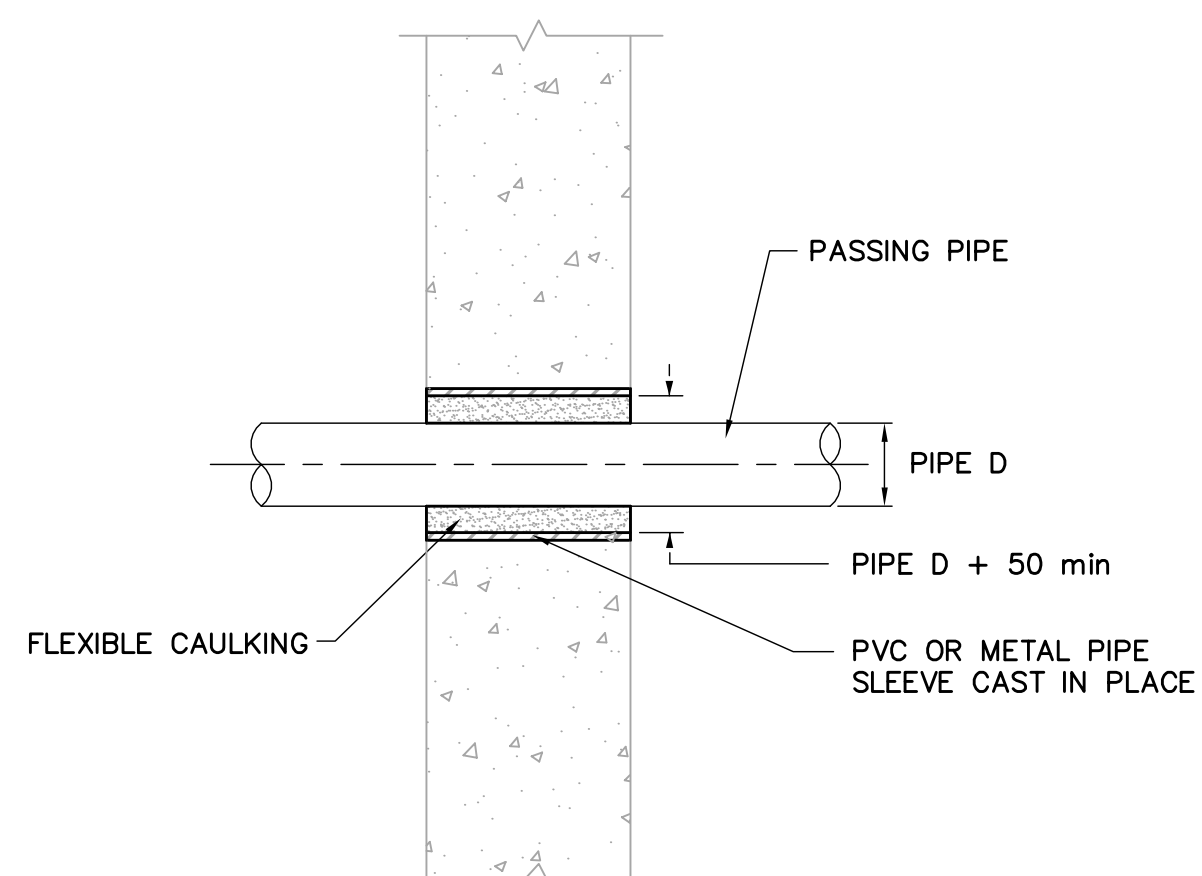


FLOOR SLEEVE

NOTES:

1. COAT SLEEVE WITH SPECIFIED PAINT SYSTEM BEFORE CONCRETE PLACEMENT HOT DIP GALVANIZE IF NO COATING IS SPECIFIED.
2. PROVIDE WATERPROOF FIRE STOPPING FOR FIRE RATED FLOOR/WALL CONDITION.
3. SEE ARCHITECTURAL DRAWINGS FOR THE TYPE OF FIRE SEPARATION.
4. DO NOT USE WHERE SUBJECT TO HYDROSTATIC PRESSURE.
5. SLEEVE SIZE AS SHOWN HERE UNLESS OTHERWISE SHOWN IN EMBEDMENT SCHEDULE.

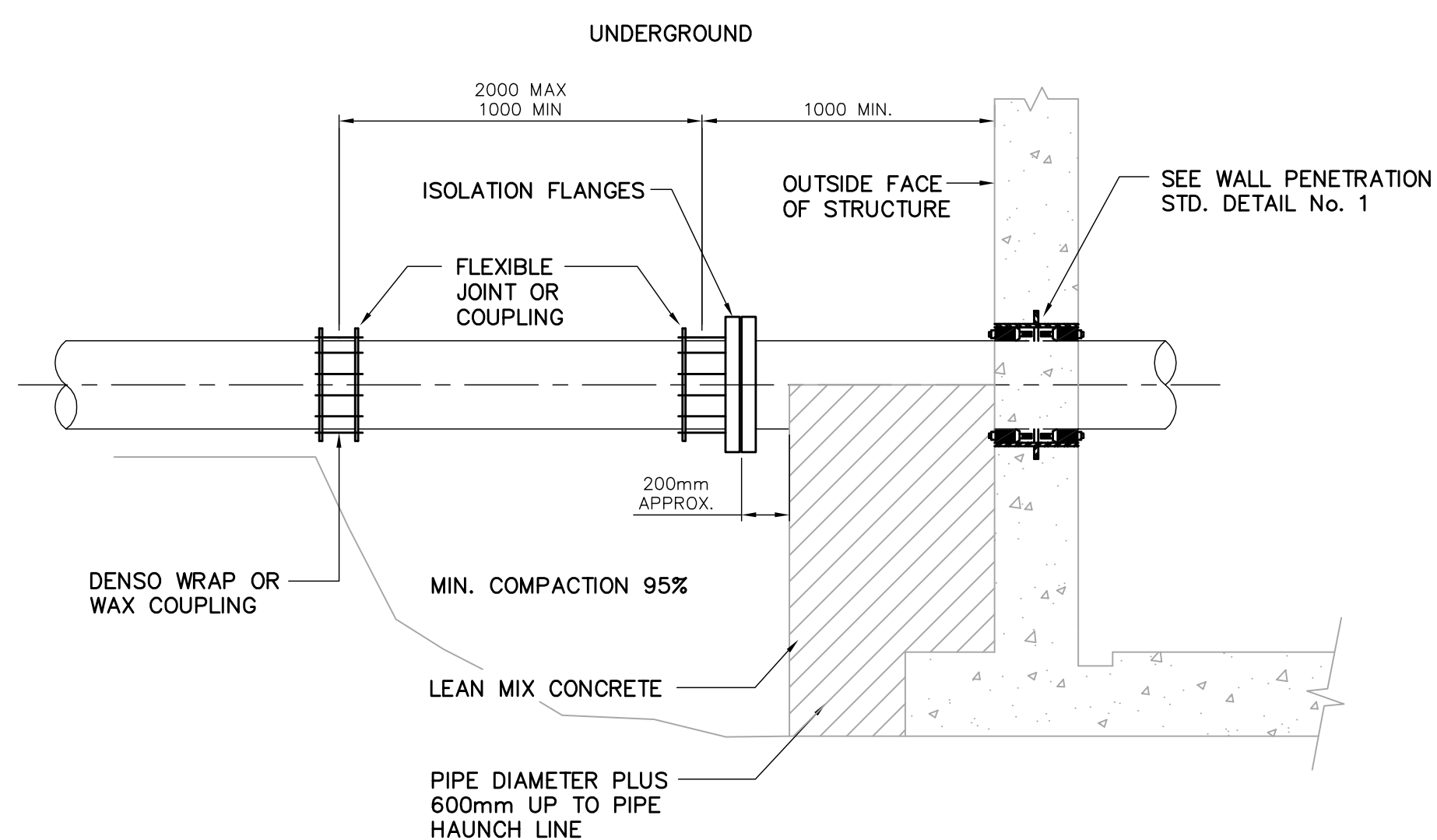
5 WALL AND FLOOR SLEEVE
N.T.S.



APPLICATION NOTES:

1. LESS THAN 75mm NOMINAL I.D. FOR PIPES.
2. SIZES 100mm AND SMALLER FOR ELECTRICAL CONDUIT.
3. ALLOW TRANSVERSE MOVEMENT

3 WALL PENETRATION NO. 3
N.T.S.



4 CONNECTION TO STRUCTURE UNDERGROUND PIPE
N.T.S.

<p>Certificate of Authorization Earth Tech Canada Inc. No. 730 Expiry: April 30, 2007</p>	B.M. ELEV.	<p>Frederickson Cooper ARCHITECTS</p>	<p>A Tyco International Ltd. Company</p>	ENGINEER'S SEAL	<p>THE CITY OF WINNIPEG WATER AND WASTE DEPARTMENT ENGINEERING DIVISION</p>		
				DESIGNED BY SBW		CHECKED BY SRB	ORIGINAL SIGNED BY S.B. WILLIAMSON
				DRAWN BY LAE		APPROVED BY AHL	2007/01/31
				SCALE: NONE		RELEASED FOR CONSTRUCTION BY: R. SOROKOWSKI	CONSULTANT DRAWING NO. WS-M0401
	00 ISSUED FOR TENDER 07/01/31 JBC	DATE 2005/10/25	DATE 2007/01/31		WATER TREATMENT PLANT	CITY FILE NUMBER	
	NO. REVISIONS	DATE	DATE		SODIUM HYPOCHLORITE AND CHEMICAL STORAGE BUILDINGS	SHEET OF	
					PROCESS MECHANICAL	CITY DRAWING NUMBER	
					STANDARD DETAILS	1-0601S-D-M0401-001-000	