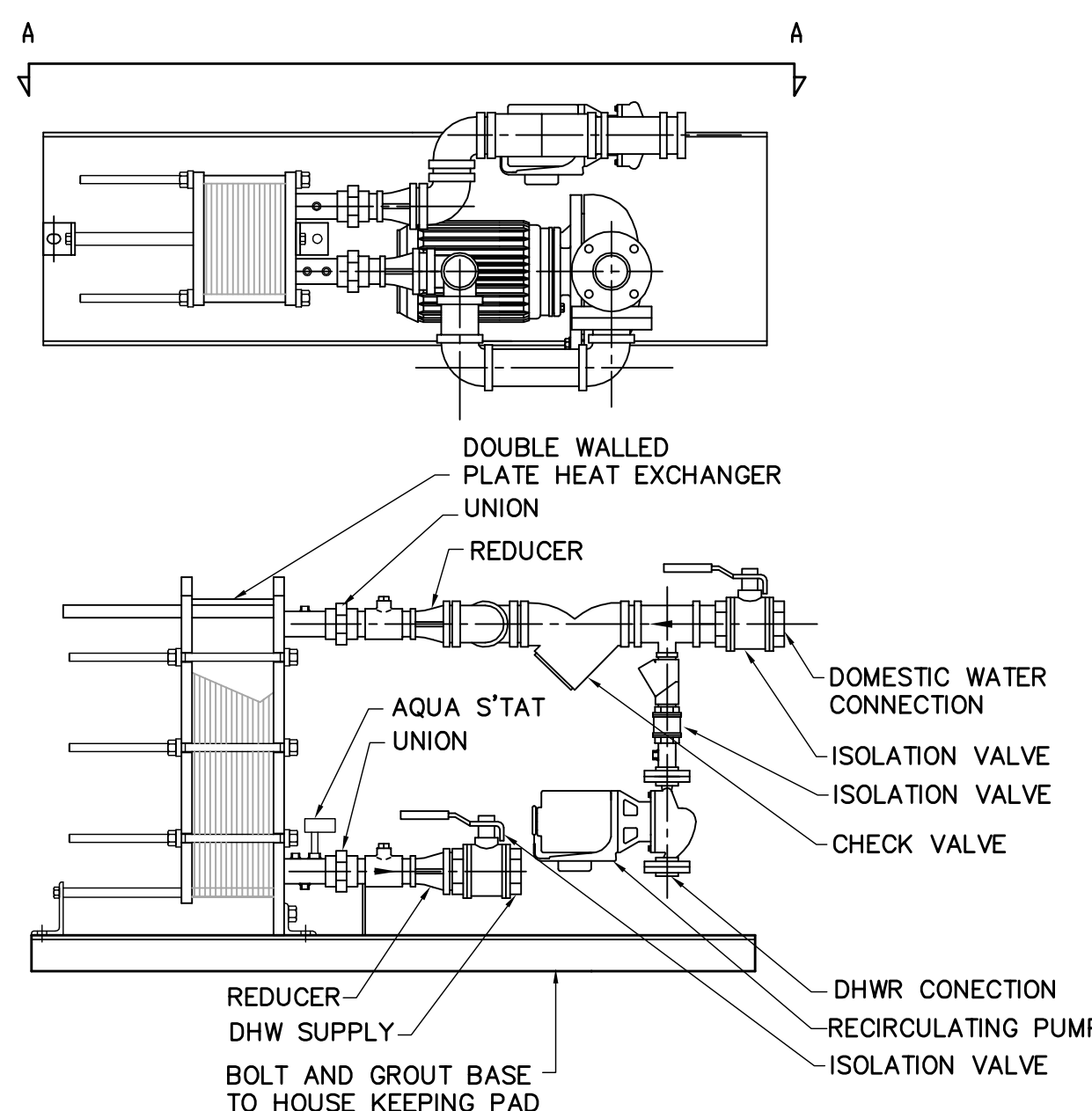
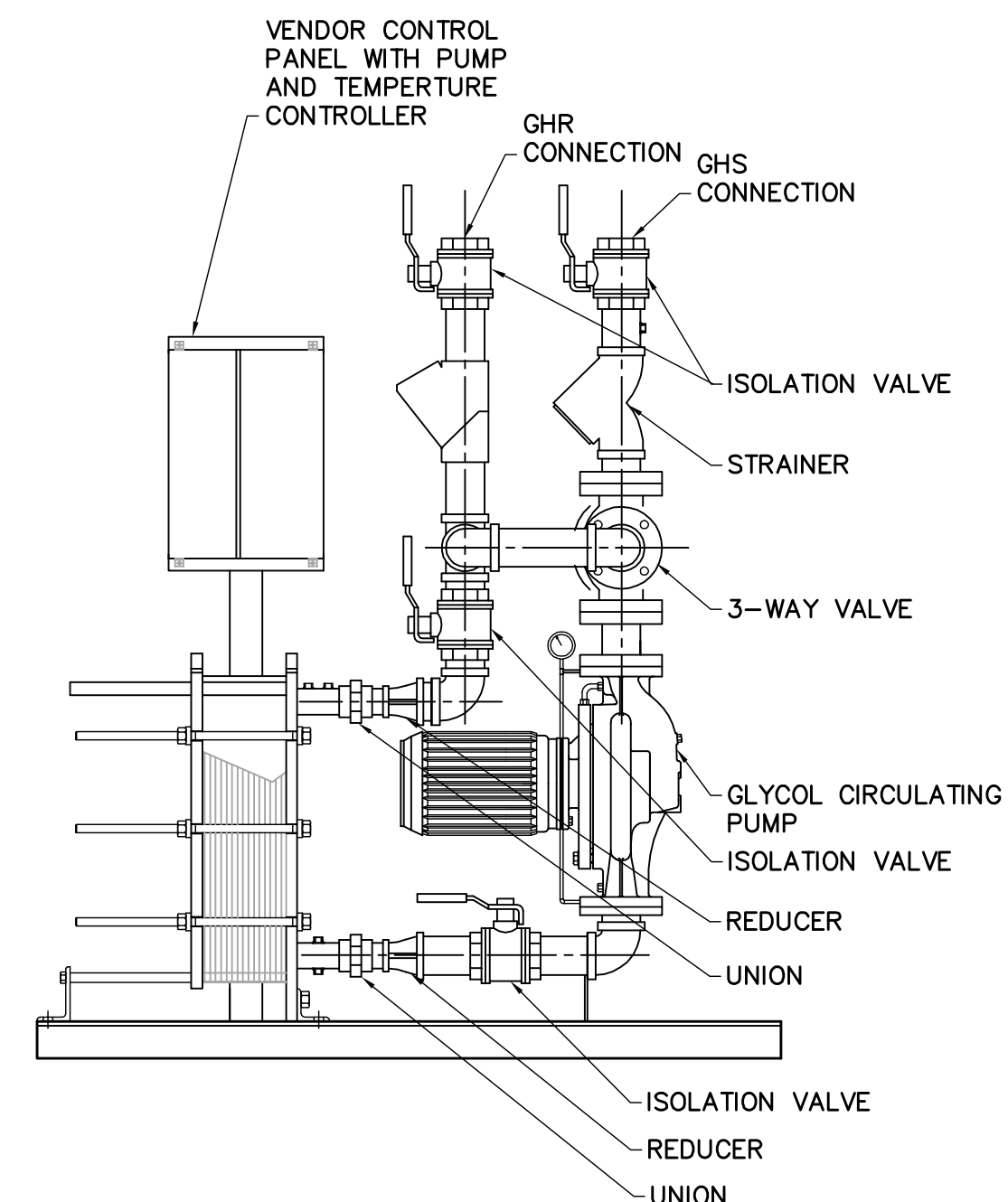


1 STEAM RELIEF VALVE DETAIL  
N.T.S.

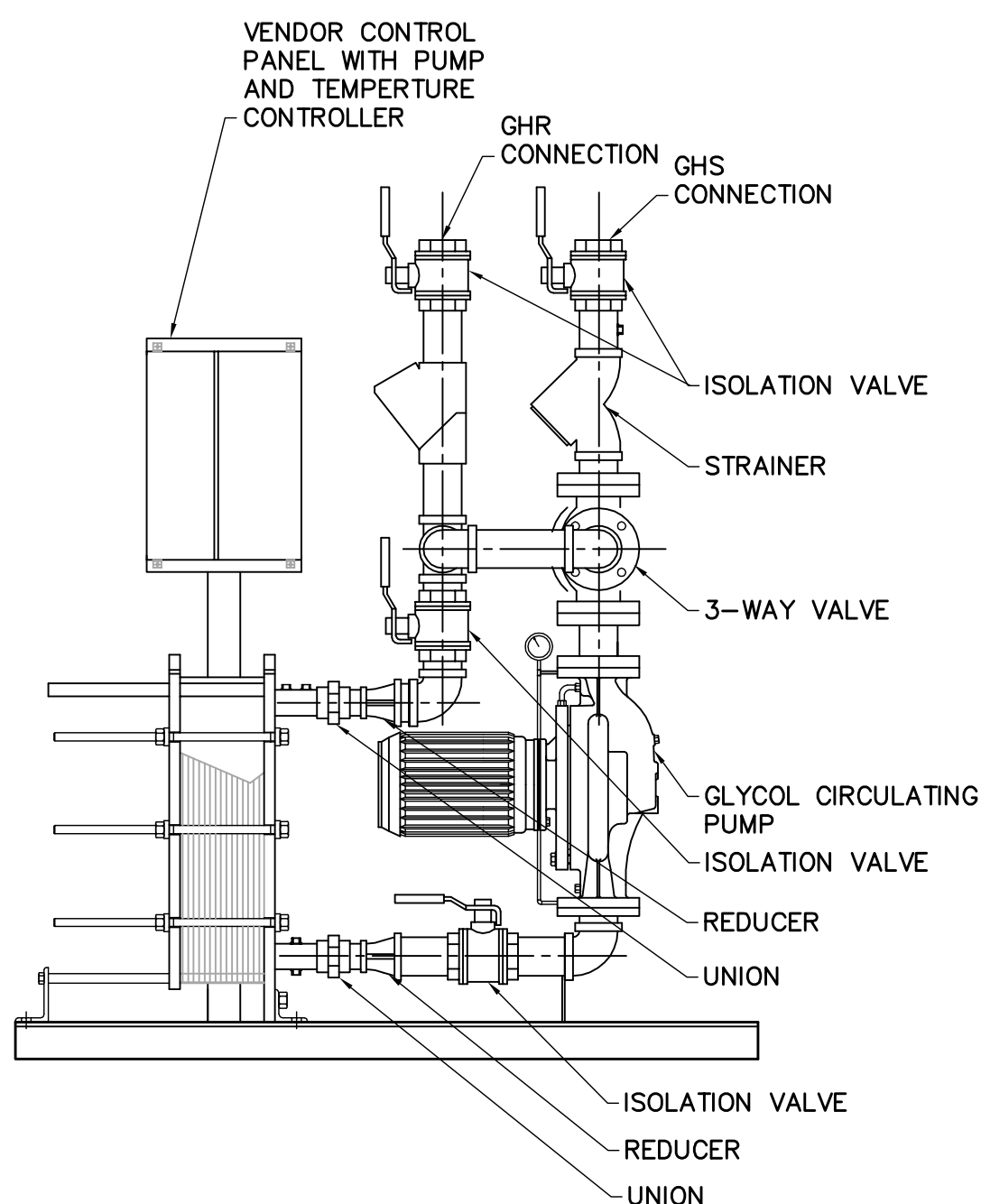


VIEW A - A DOMESTIC HOT WATER (ONLY)

2 DOMESTIC HOT WATER HEAT EXCHANGER DETAIL  
N.T.S.

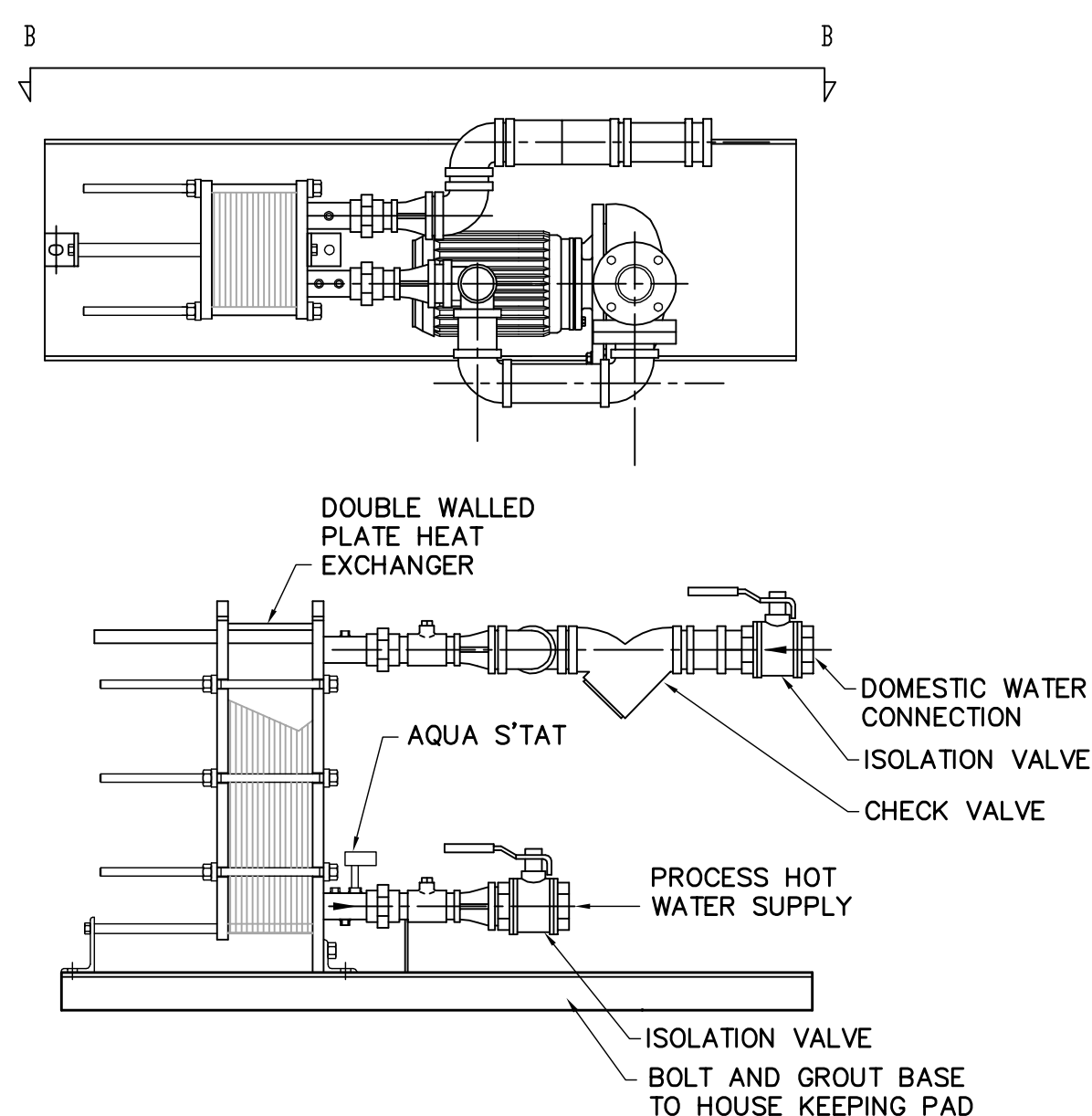


NOTE  
THIS DETAIL SHOWS COMPONENTS TO BE SUPPLIED WITH SKID MOUNTED VENDOR PACKAGE. CO-ORDINATE CONFIGURATION WITH VENDOR.



NOTE  
THIS DETAIL SHOWS COMPONENTS TO BE SUPPLIED WITH SKID MOUNTED VENDOR PACKAGE. CO-ORDINATE CONFIGURATION WITH VENDOR.

3 PROCESS HOT WATER HEAT EXCHANGER DETAIL  
N.T.S.



VIEW B - B PROCESS HOT WATER (ONLY)

 Certificate of Authorization Earth Tech Canada Inc. No. 730 Expiry: April 30, 2007	B.M. ELEV.	 Frederickson Cooper ARCHITECTS	 A Tyco International Ltd. Company	ENGINEER'S SEAL	 THE CITY OF WINNIPEG WATER AND WASTE DEPARTMENT ENGINEERING DIVISION		
				DESIGNED BY: JB		CHECKED BY: PVL/AMA	ORIGINAL SIGNED BY: A. M. AFTANAS
				DRAWN BY: DUP		APPROVED BY: AHL	2007/01/31
				SCALE: NTS		RELEASED FOR CONSTRUCTION BY: R. SOROKOWSKI	CONSULTANT DRAWING NO. WS-H0412
	00 ISSUED FOR TENDER 07/01/31 DL	DATE 2007/01/09	DATE 2007/01/31		WATER TREATMENT PLANT BULK CHEMICAL STORAGE SODIUM HYPOCHLORITE AND CHEMICAL STORAGE BUILDING		
	NO. REVISIONS	DATE	BY		MECHANICAL STANDARD DETAILS		
					CITY FILE NUMBER SHEET OF CITY DRAWING NUMBER 1-0601S-D-H0412-001-000		