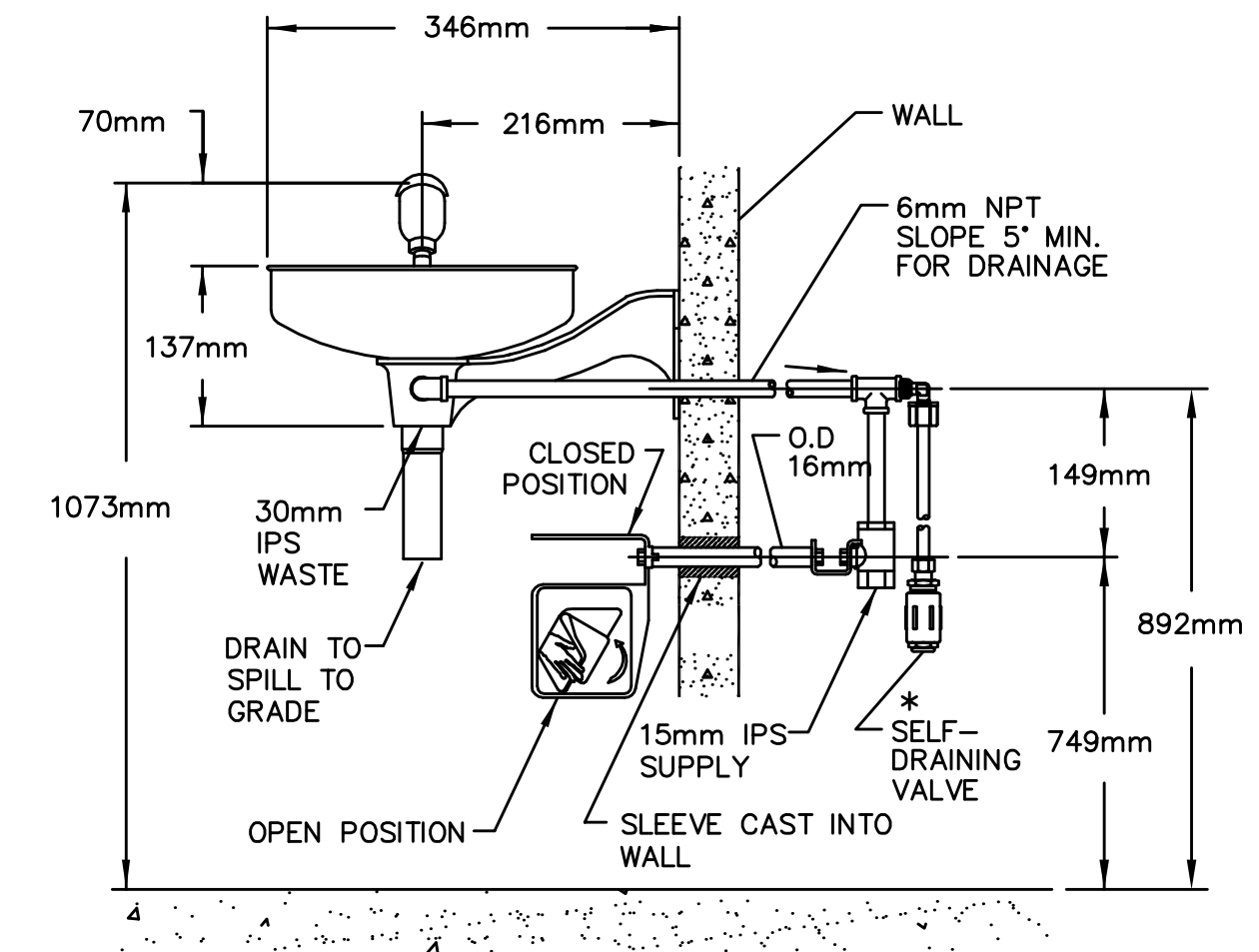
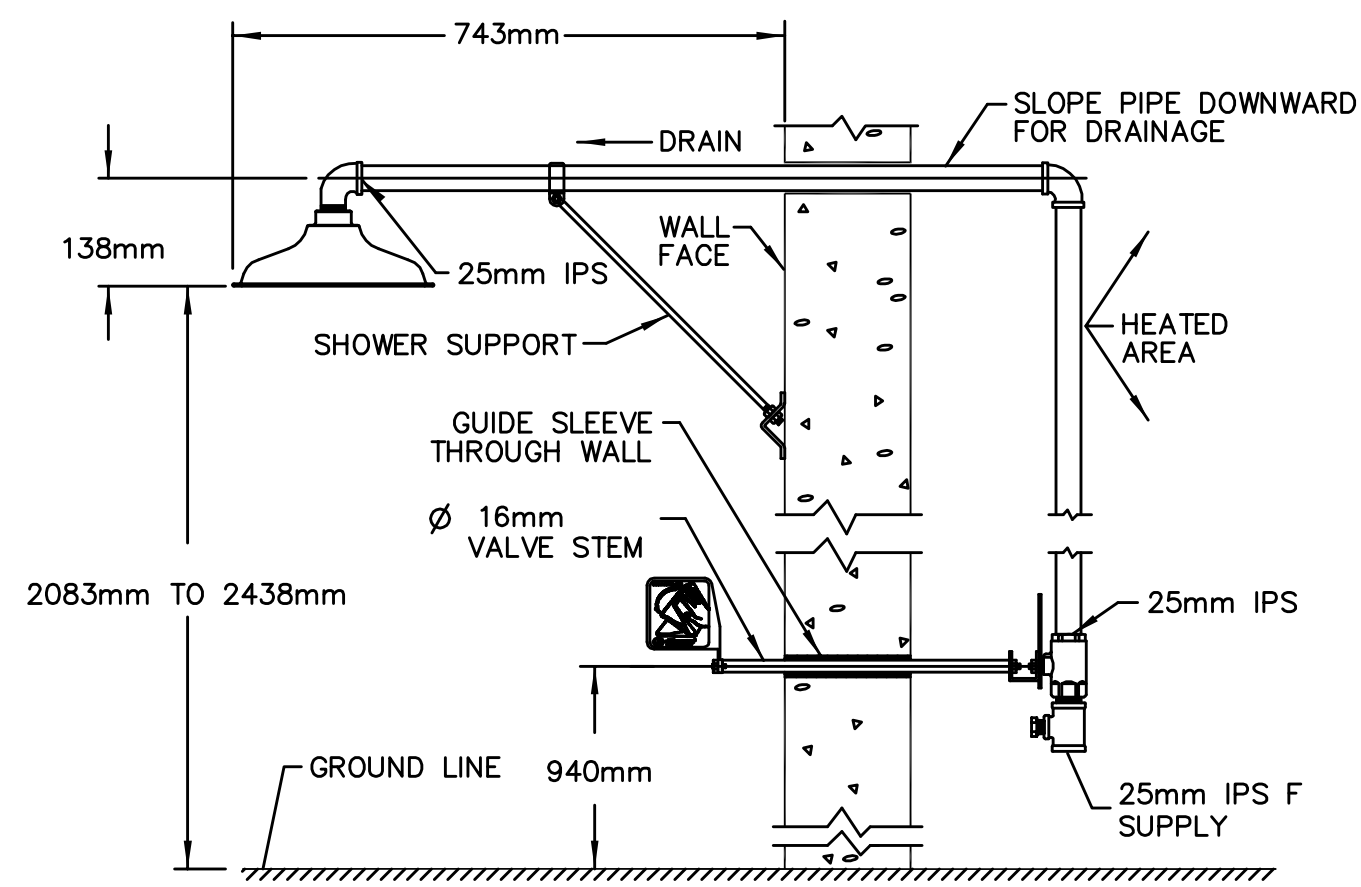


1 PORTABLE GRAVITY OPERATED EYEWASH (EEW)  
N.T.S.



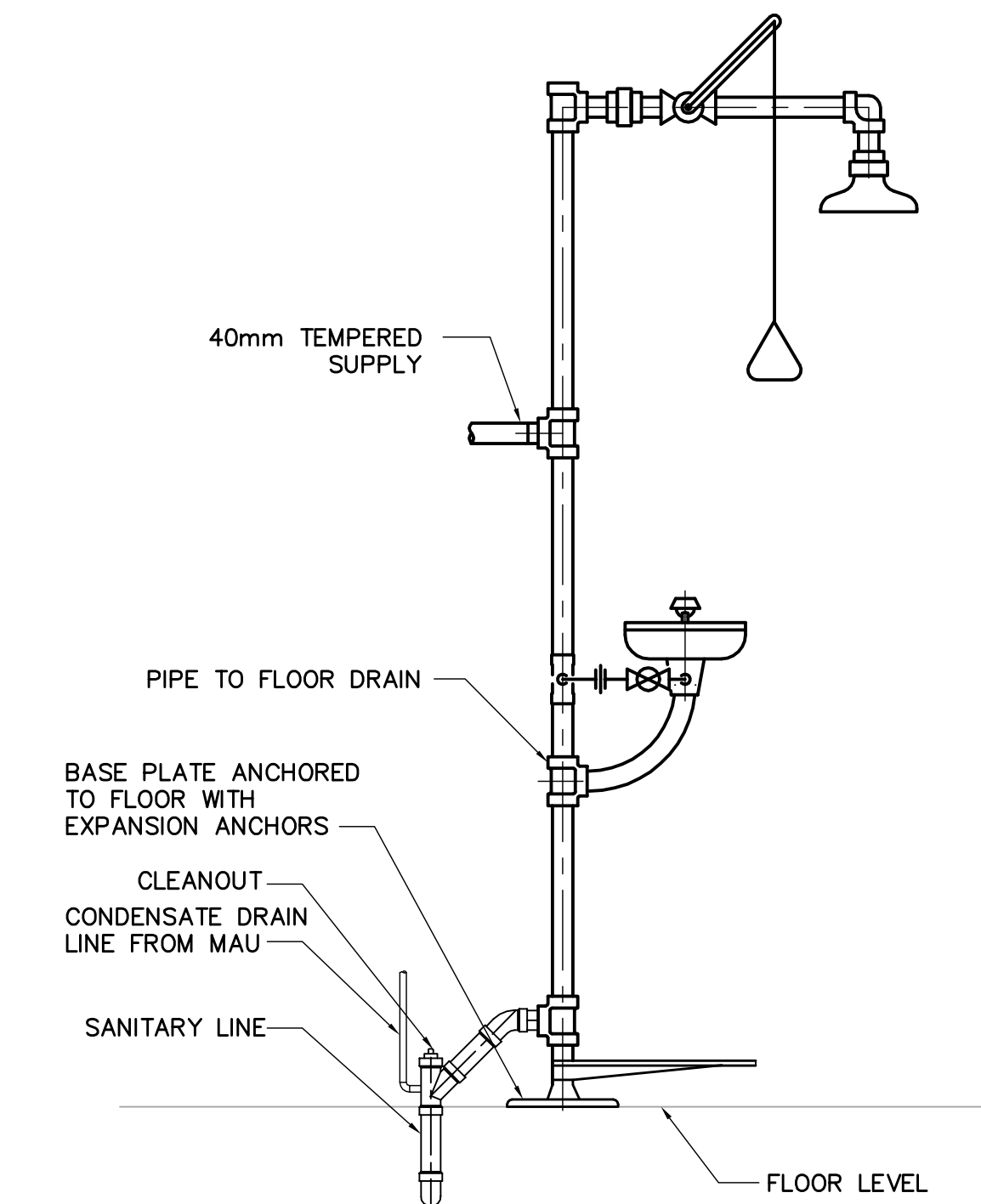
\* VALVE IS SELF-DRAINING, THUS PERMITS STANDING WATER TO DRAIN AFTER EACH USE PREVENTING FREEZE-UPS. PROPER PROVISIONS MUST BE MADE FOR DRAINAGE.

2 NON-FREEZE EYE WASH (EEW)  
N.T.S.



THESE DIMENSIONS MAY VARY +/- 1/2" (.013m).

3 NON-FREEZE SHOWER (ES)  
N.T.S.



4 EMERGENCY EYEWASH/SAFETY SHOWER (EES)  
N.T.S.

 Certificate of Authorization Earth Tech Canada Inc. No. 730 Expiry: April 30, 2007	B.M. ELEV.	 Frederickson Cooper ARCHITECTS	 A Tyco International Ltd. Company	ENGINEER'S SEAL	 THE CITY OF WINNIPEG WATER AND WASTE DEPARTMENT ENGINEERING DIVISION		
				DESIGNED BY BW		CHECKED BY PVL/AMA	ORIGINAL SIGNED BY A. M. AFTANAS
				DRAWN BY LAE		APPROVED BY AHL	2007/01/31
				SCALE: NTS		RELEASED FOR CONSTRUCTION BY: R. SOROKOWSKI	CONSULTANT DRAWING NO. WS-H0411
	00 ISSUED FOR TENDER 07/01/31 DL	DATE 2006/10/25	DATE 2007/01/31		WATER TREATMENT PLANT BULK CHEMICAL STORAGE SODIUM HYPOCHLORITE AND CHEMICAL STORAGE BUILDING		
	NO. REVISIONS	DATE	BY		MECHANICAL STANDARD DETAILS		
					CITY FILE NUMBER SHEET OF CITY DRAWING NUMBER 1-0601S-D-H0411-001-000		