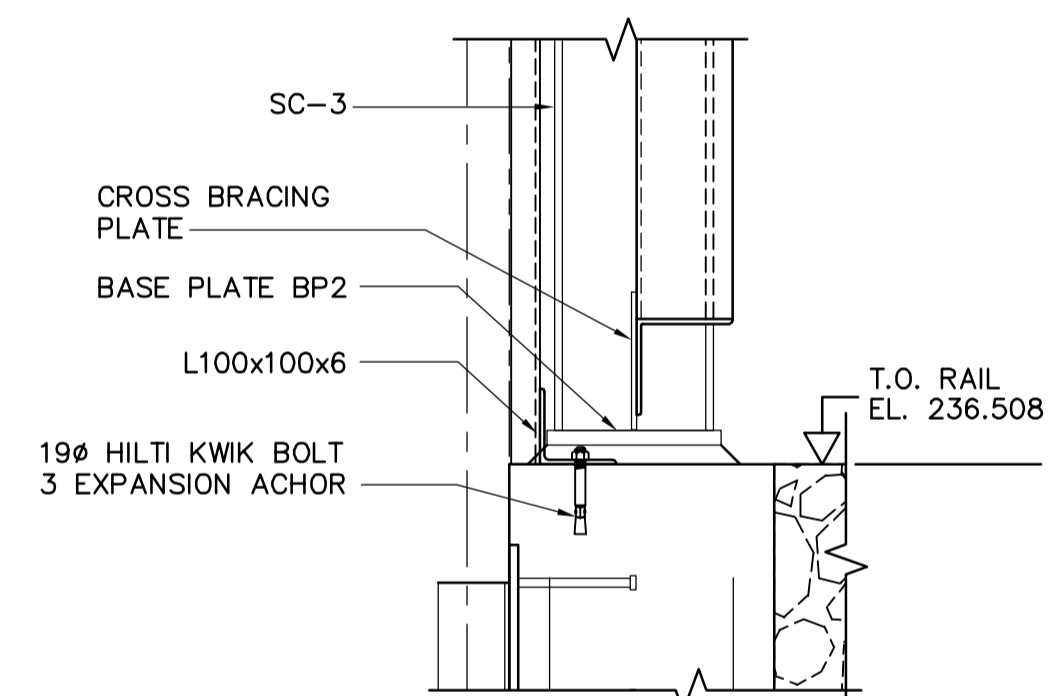
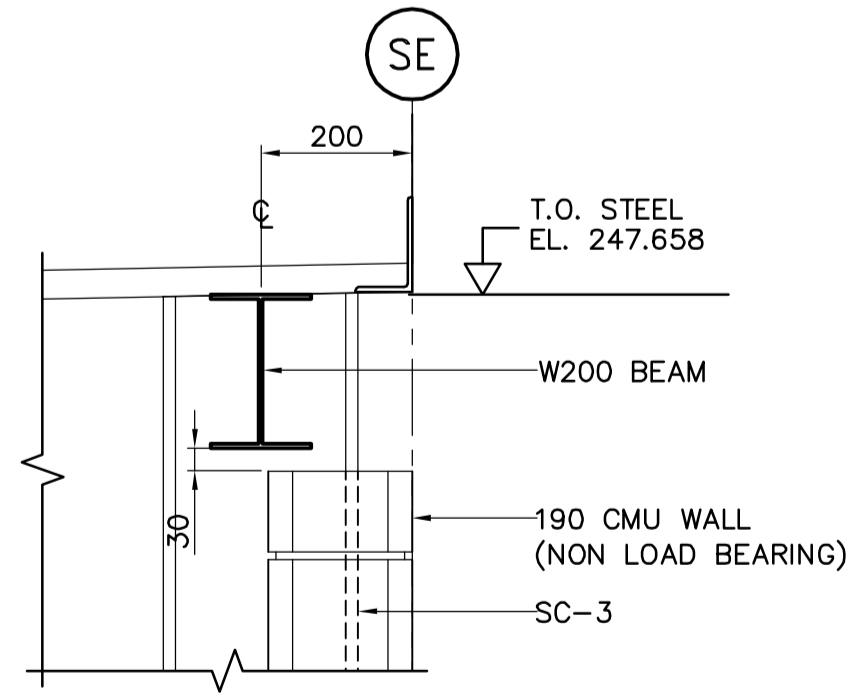


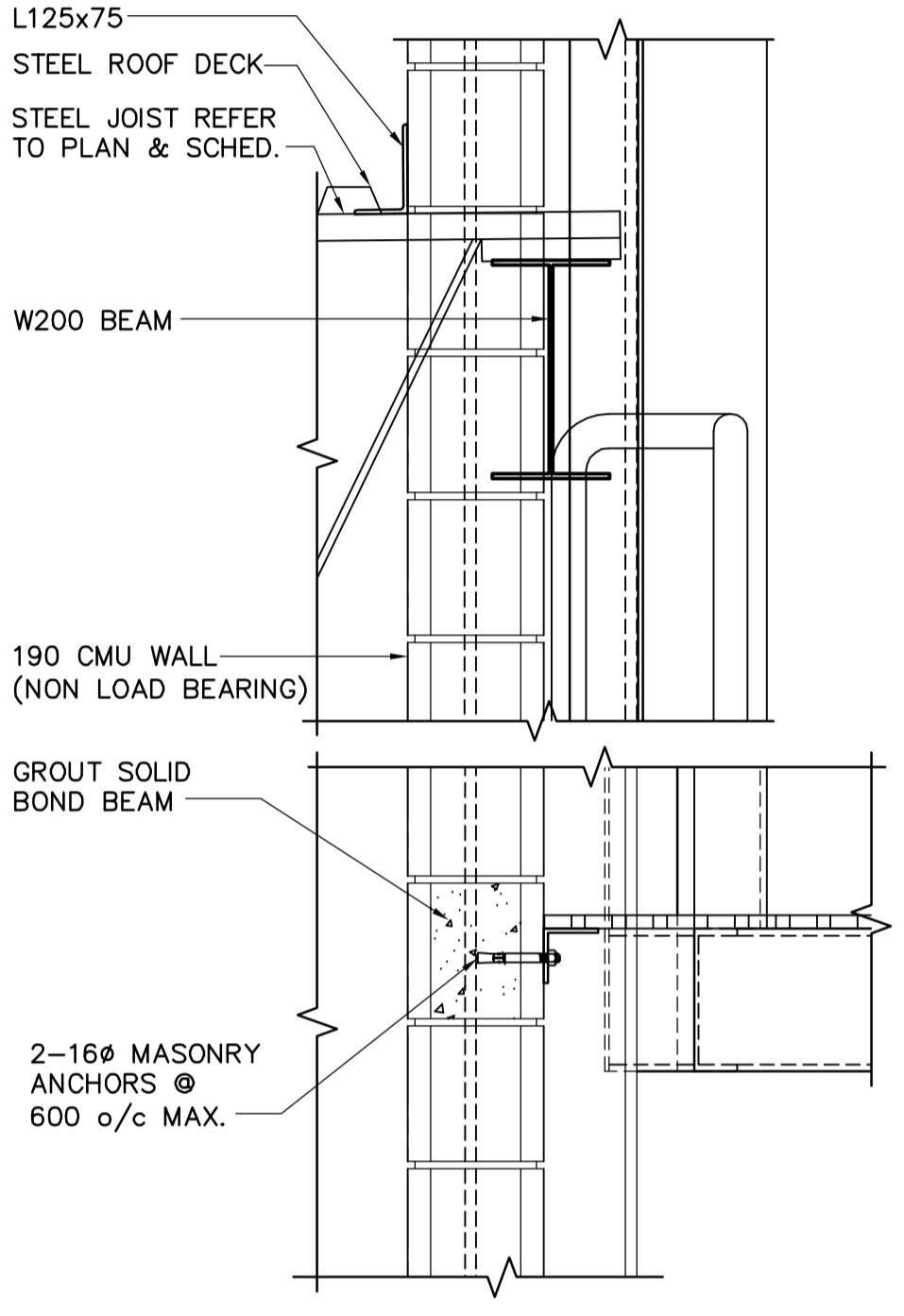
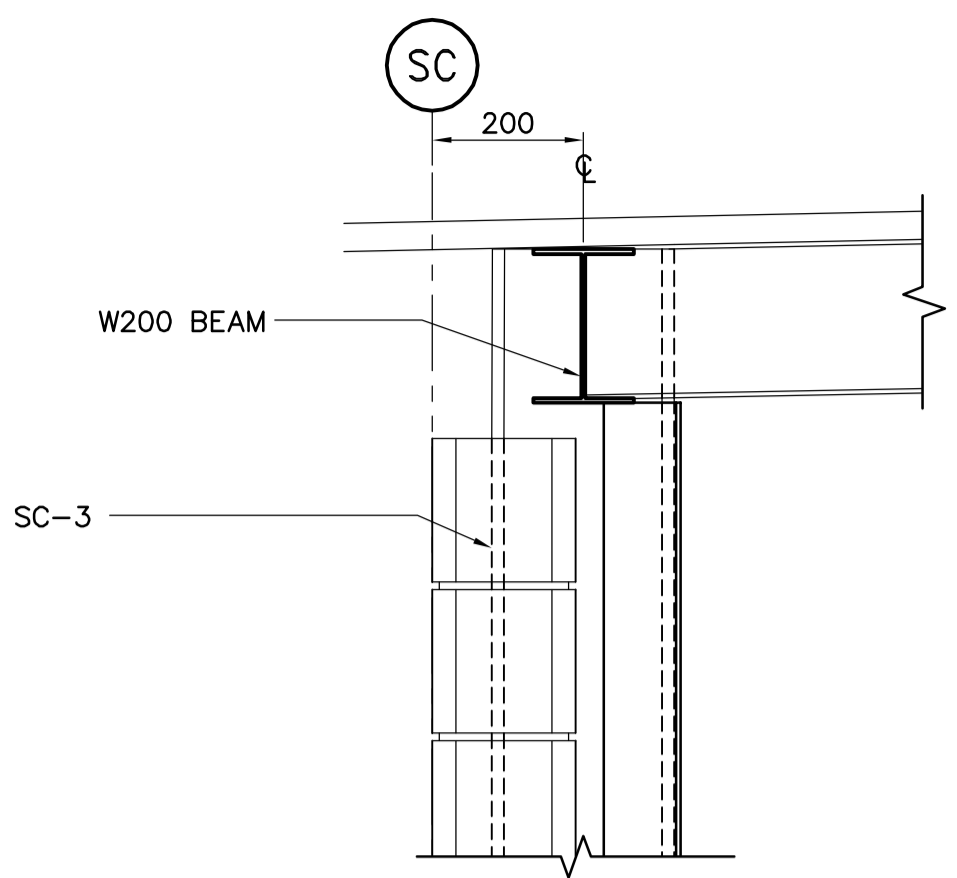
**A SECTION DETAIL**  
WS-S0407 1:10



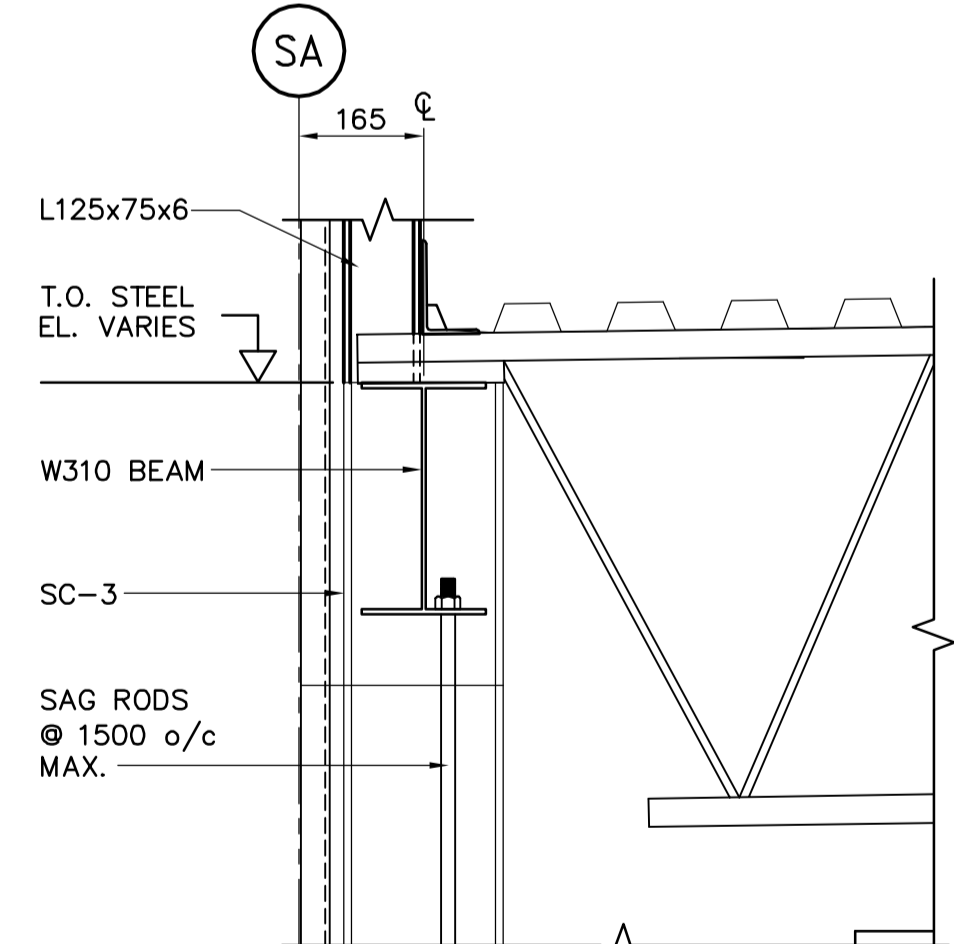
**B SECTION DETAIL**  
WS-S0407 1:10



**D SECTION DETAIL**  
WS-S0407 1:10

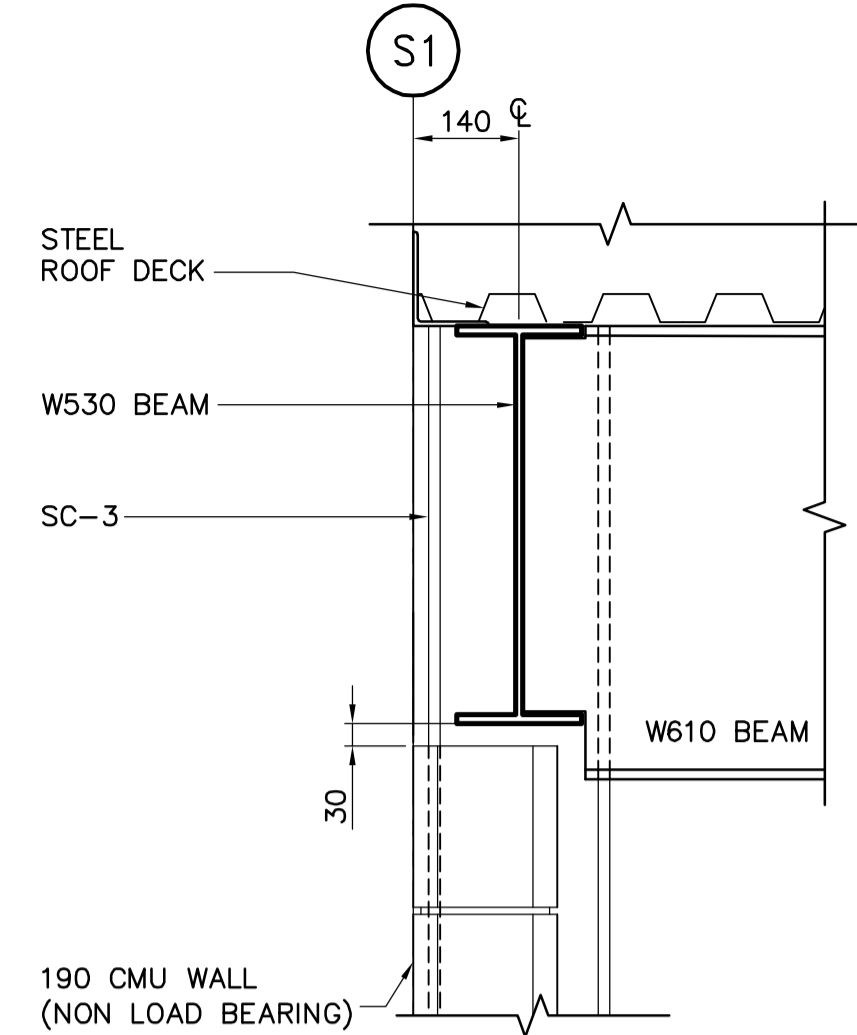


**C SECTION DETAIL**  
WS-S0407 1:10

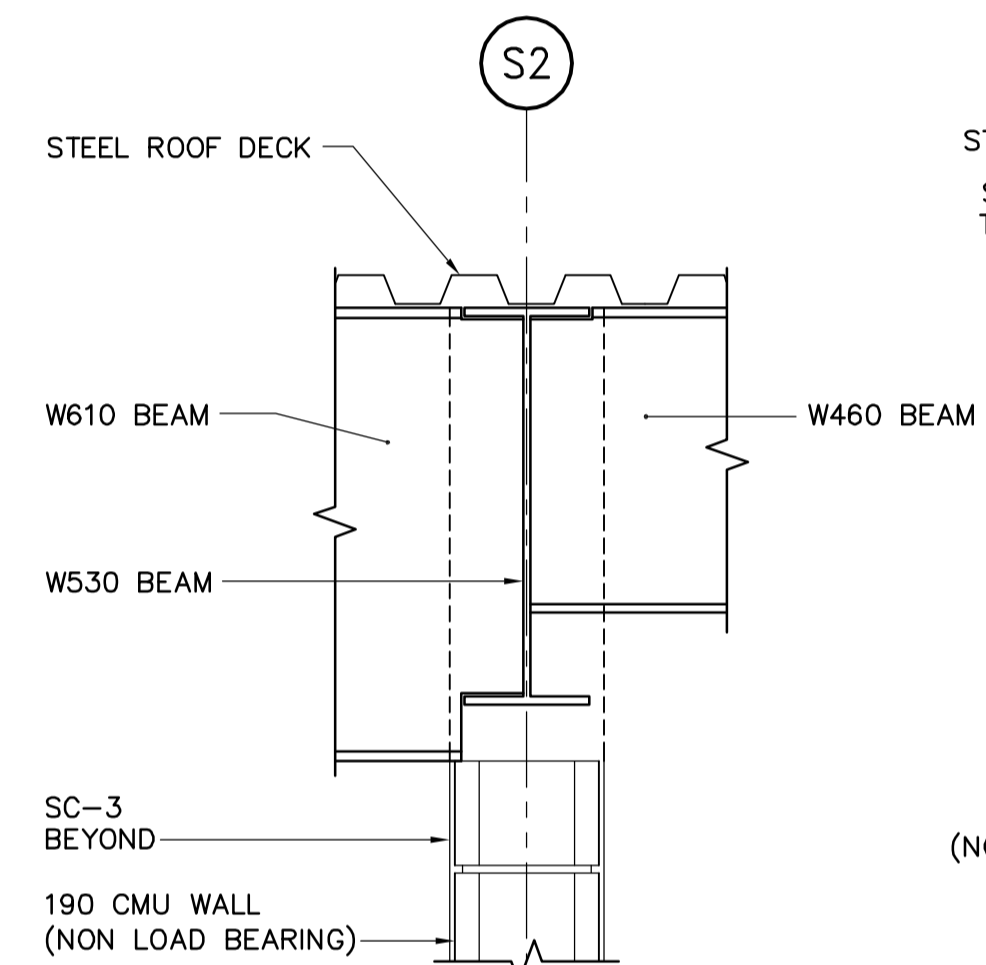


**F SECTION DETAIL**  
WS-S0408 1:10

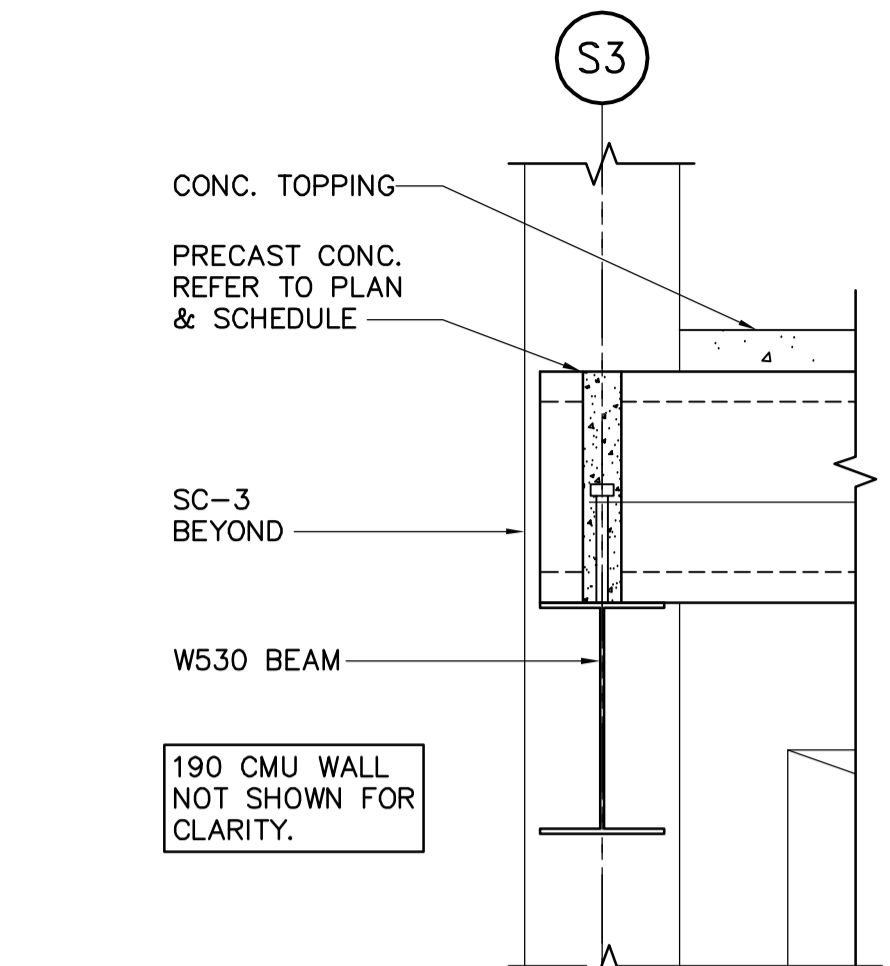
DETAIL 'E' DELETED



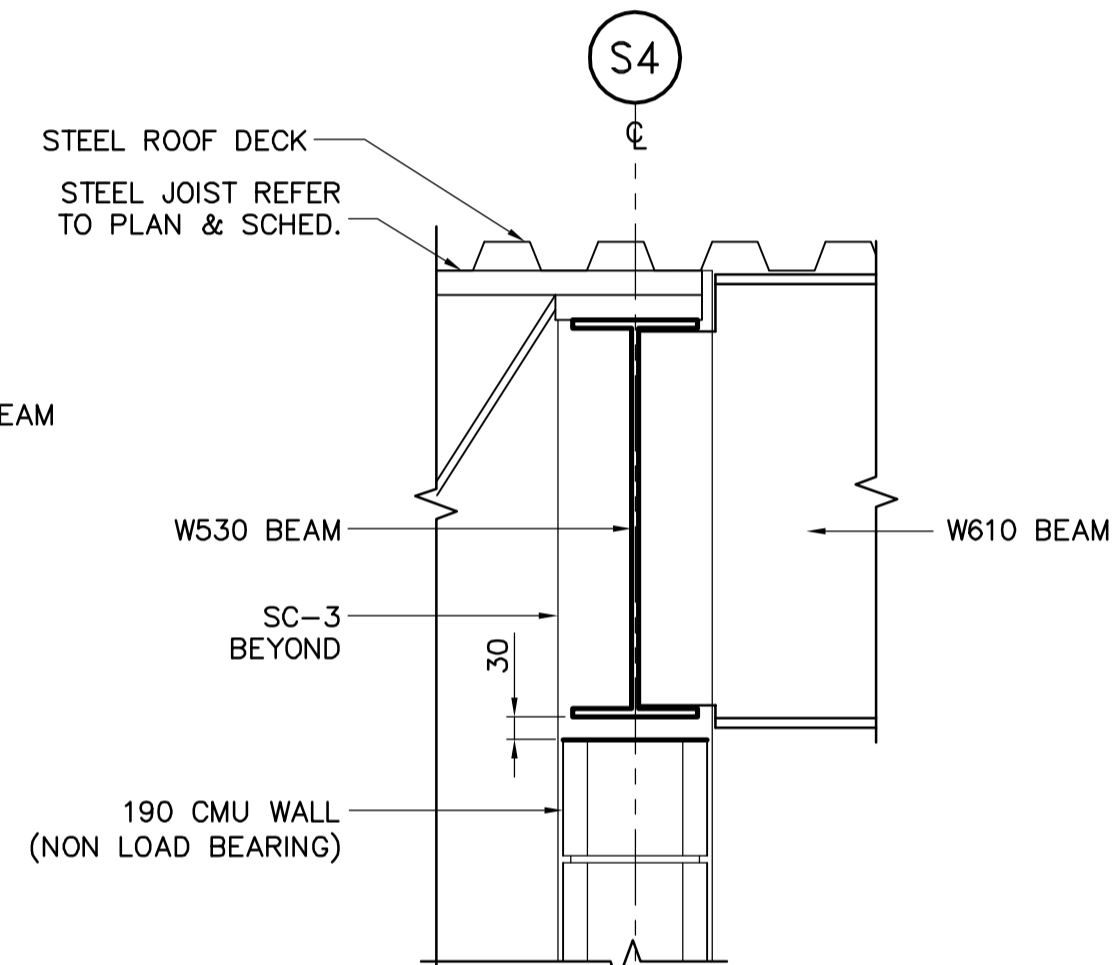
**H SECTION DETAIL**  
WS-S0408 1:10



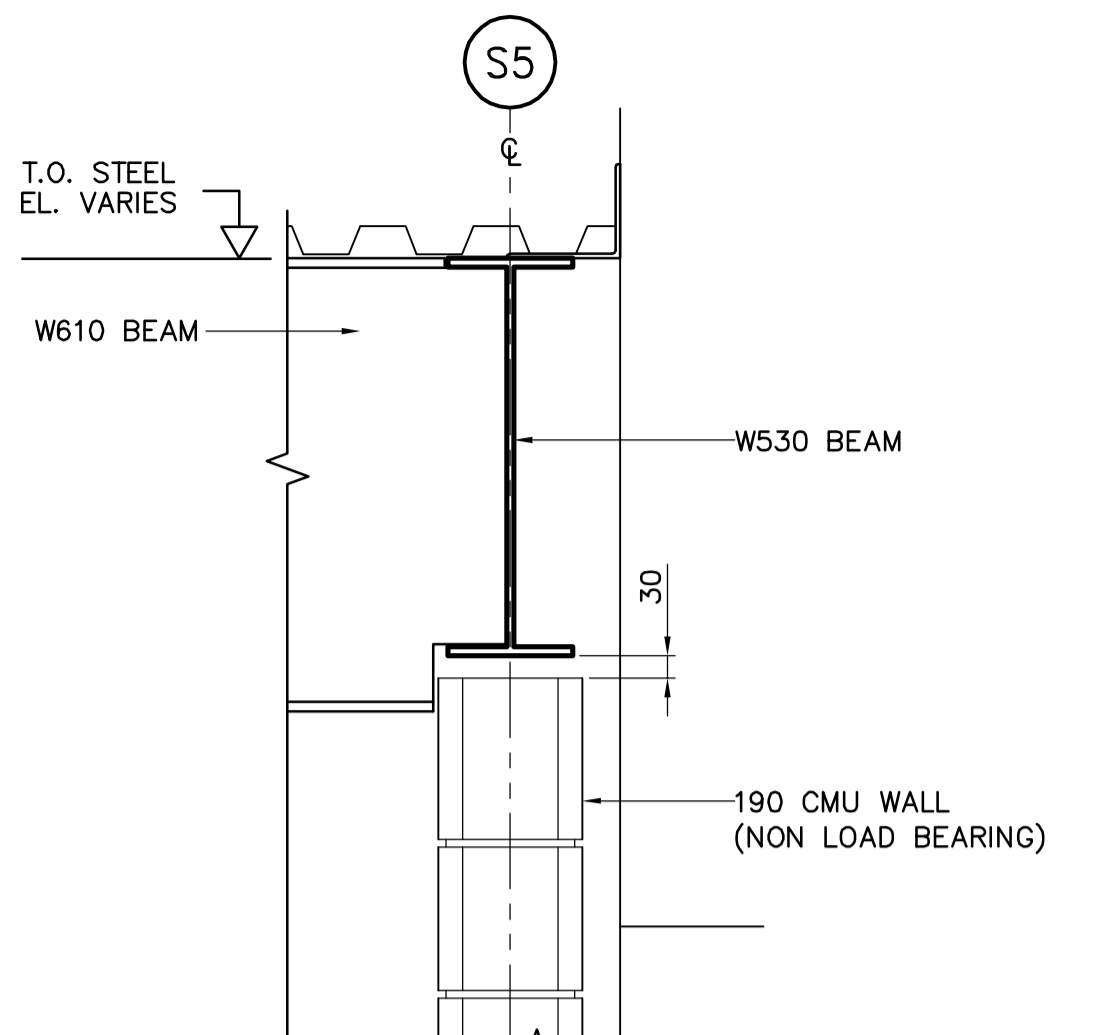
**J SECTION DETAIL**  
WS-S0409 1:10



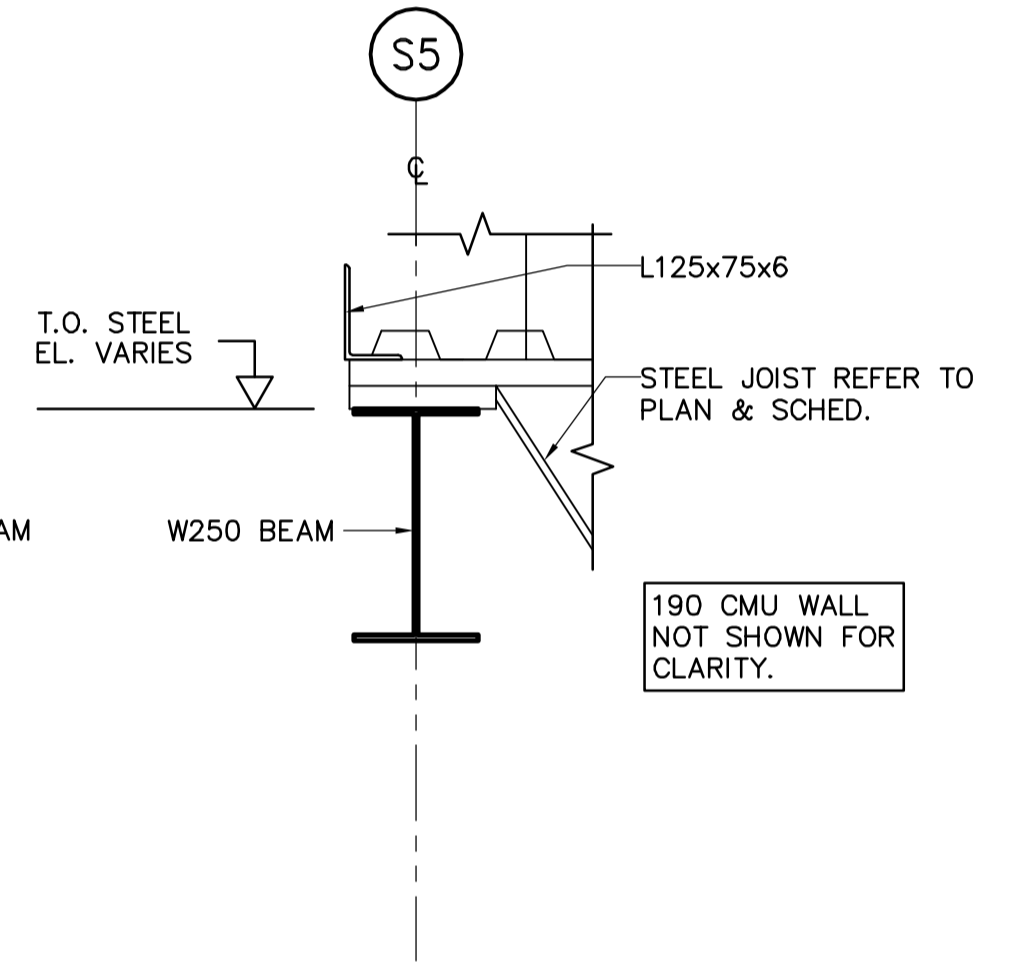
**L SECTION DETAIL**  
WS-S0409 1:10



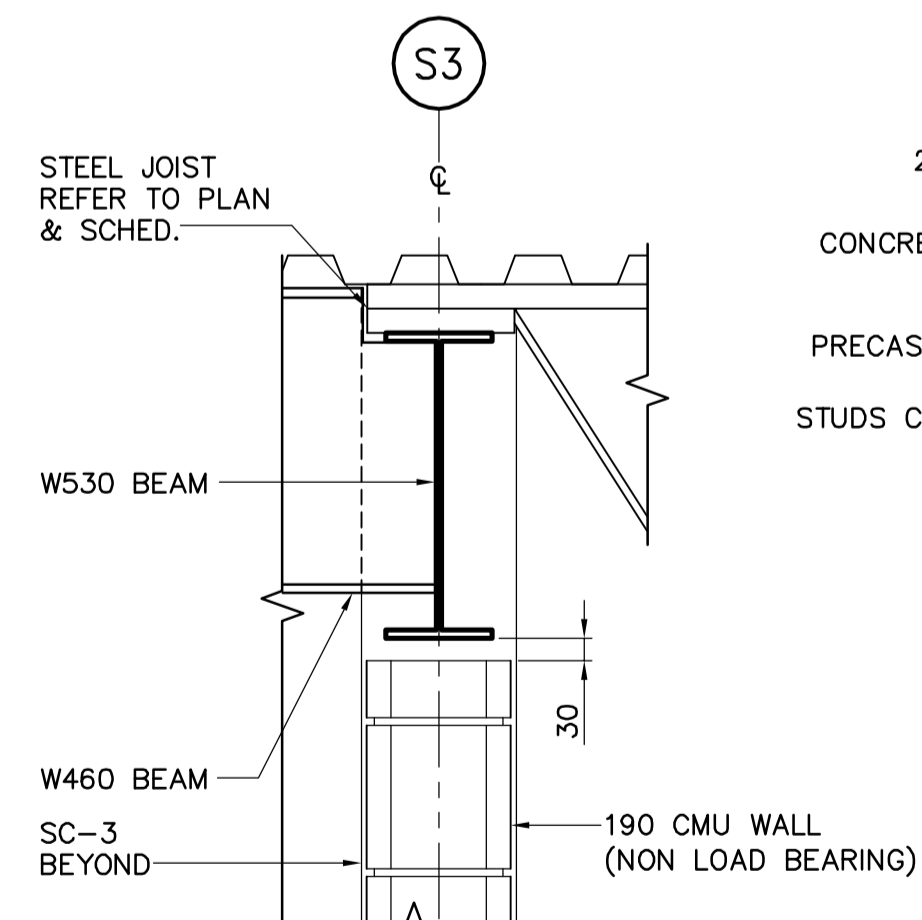
**M SECTION DETAIL**  
WS-S0409 1:10



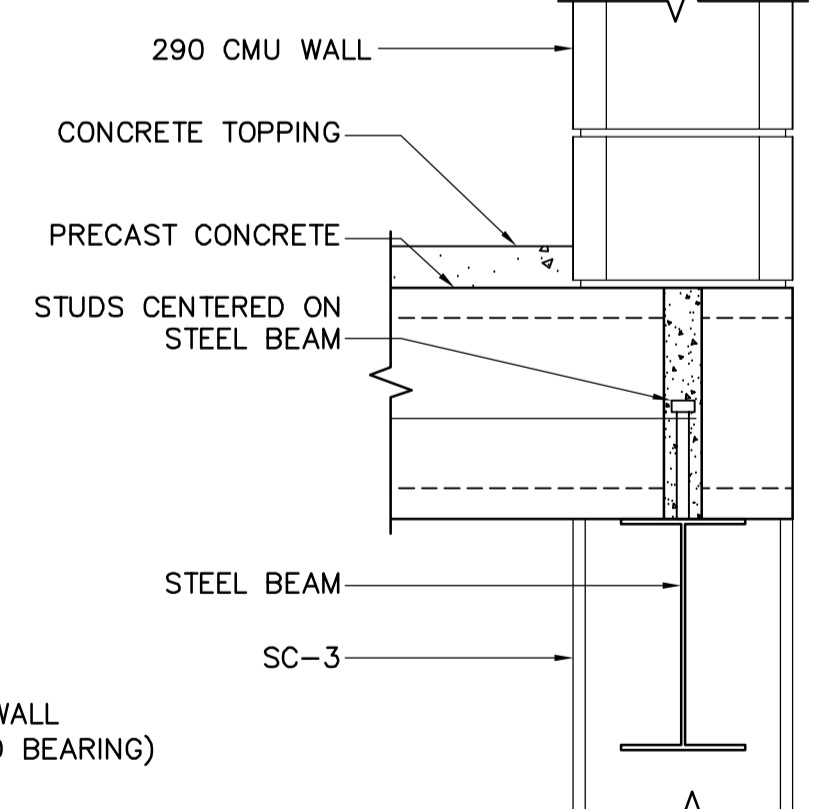
**P SECTION DETAIL**  
WS-S0409 1:10



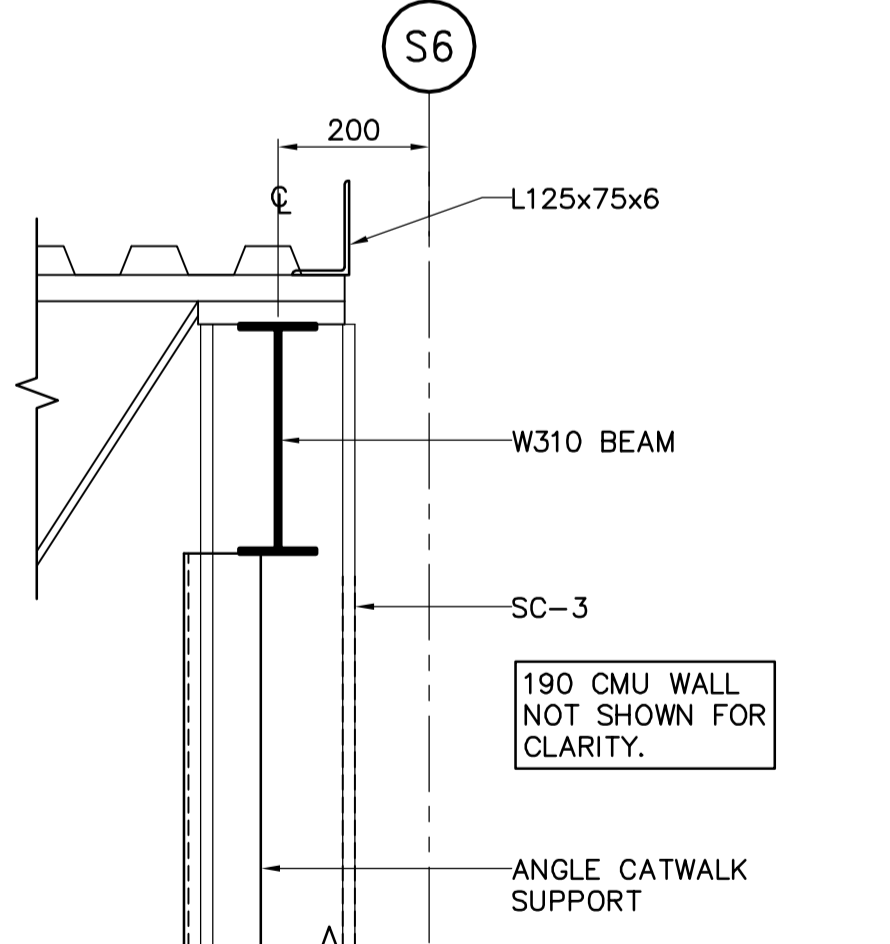
**R SECTION DETAIL**  
WS-S0409 1:10



**K SECTION DETAIL**  
WS-S0409 1:10



**N SECTION DETAIL**  
WS-S0409 1:10



**S SECTION DETAIL**  
WS-S0409 1:10

**APEGM**  
Certificate of Authorization  
Earth Tech Canada Inc.  
No. 730 Expiry: April 30, 2007

B.M. ELEV.	NO.	ISSUED FOR TENDER	DATE	BY
	00	ISSUED FOR TENDER	07/01/31	WDB
		REVISIONS	DATE	BY

<b>CH2M HILL</b> Frederickson Cooper ARCHITECTS		<b>EarthTech</b> A Tech International Ltd. Company	
DESIGNED BY	ARA	CHECKED BY	
DRAWN BY	WDB	APPROVED BY	AHL
SCALE:	AS NOTED	RELEASED FOR CONSTRUCTION BY:	R. SOROKOWSKI
		DATE	2007/01/31

ENGINEER'S SEAL
ORIGINAL SIGNED BY
A. POCHANART
2007/01/31
CONSULTANT DRAWING NO.
WS-S0410

<b>THE CITY OF WINNIPEG</b> WATER AND WASTE DEPARTMENT ENGINEERING DIVISION	
WATER TREATMENT PLANT BULK CHEMICAL BUILDING SODIUM HYPOCHLORITE AND CHEMICAL STORAGE BUILDING	
CITY FILE NUMBER	
SHEET OF	
CITY DRAWING NUMBER	1-0608-A-50410-001-00D
STRUCTURAL BUILDING SECTIONS AND DETAILS	