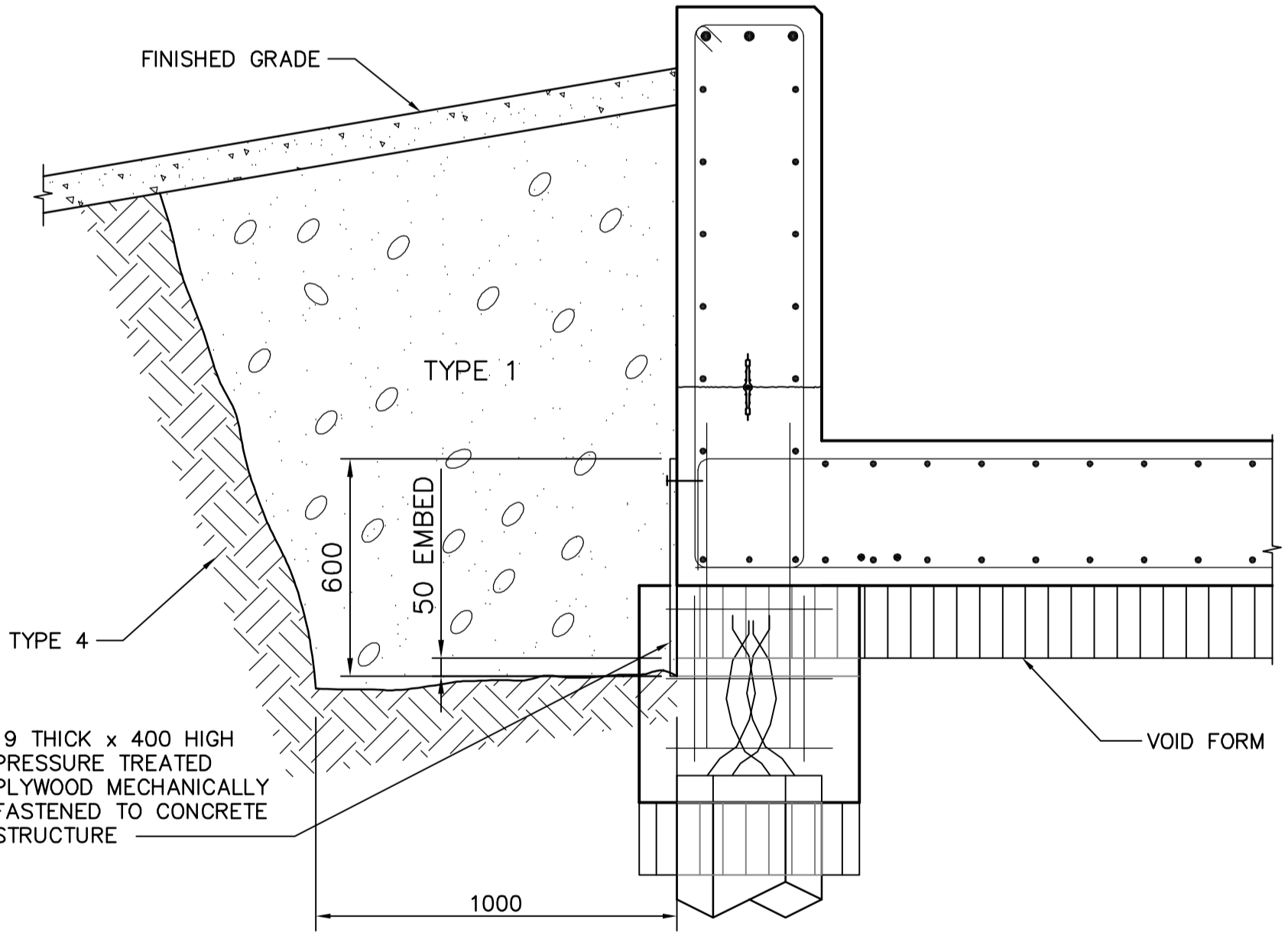
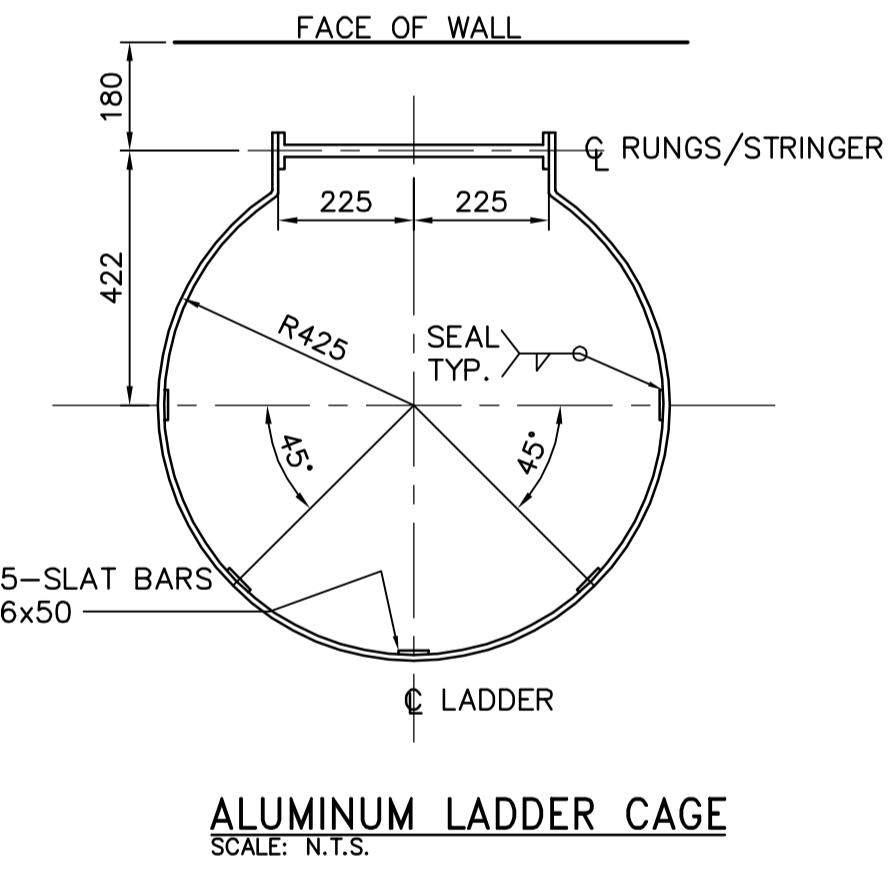
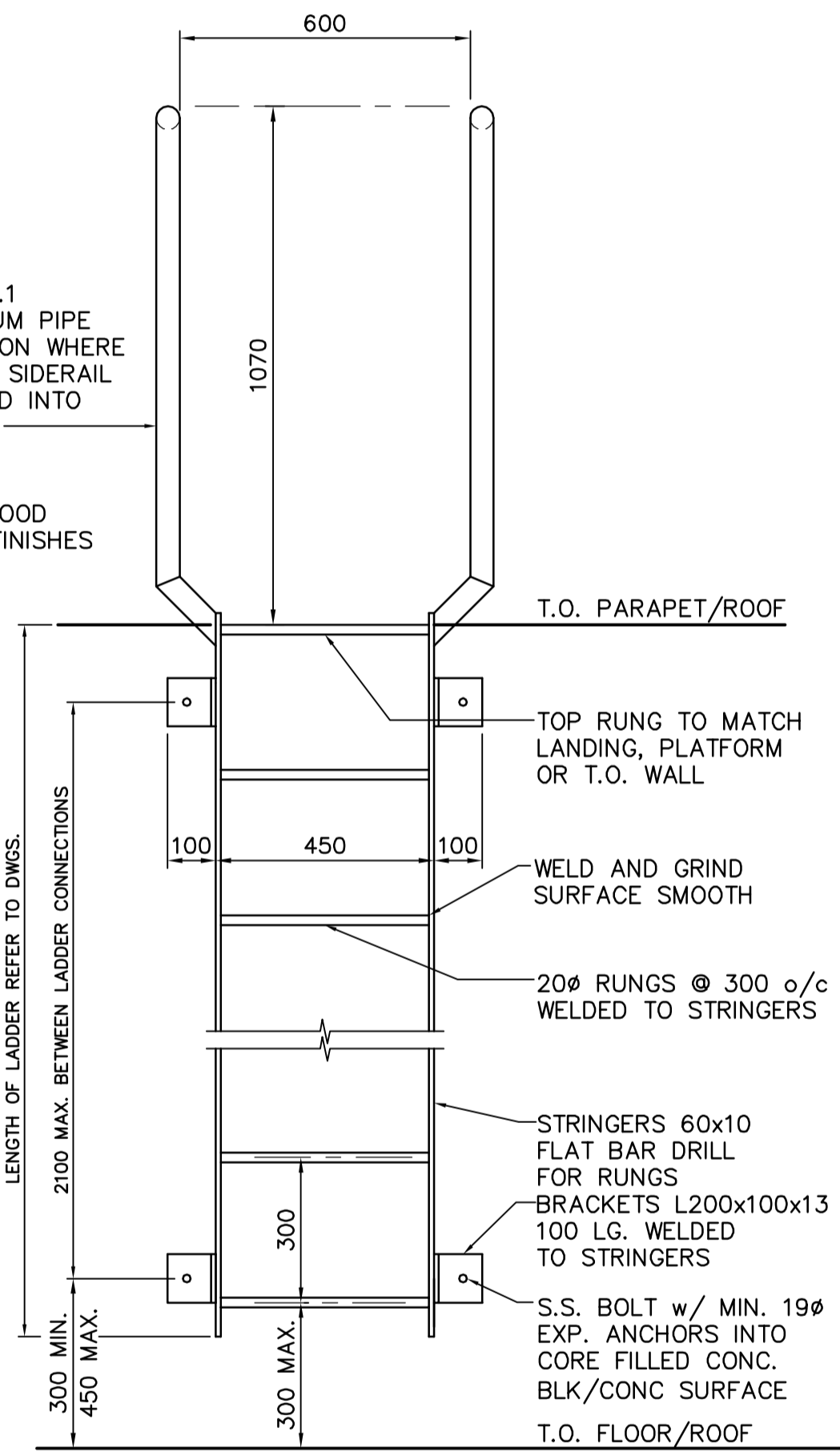
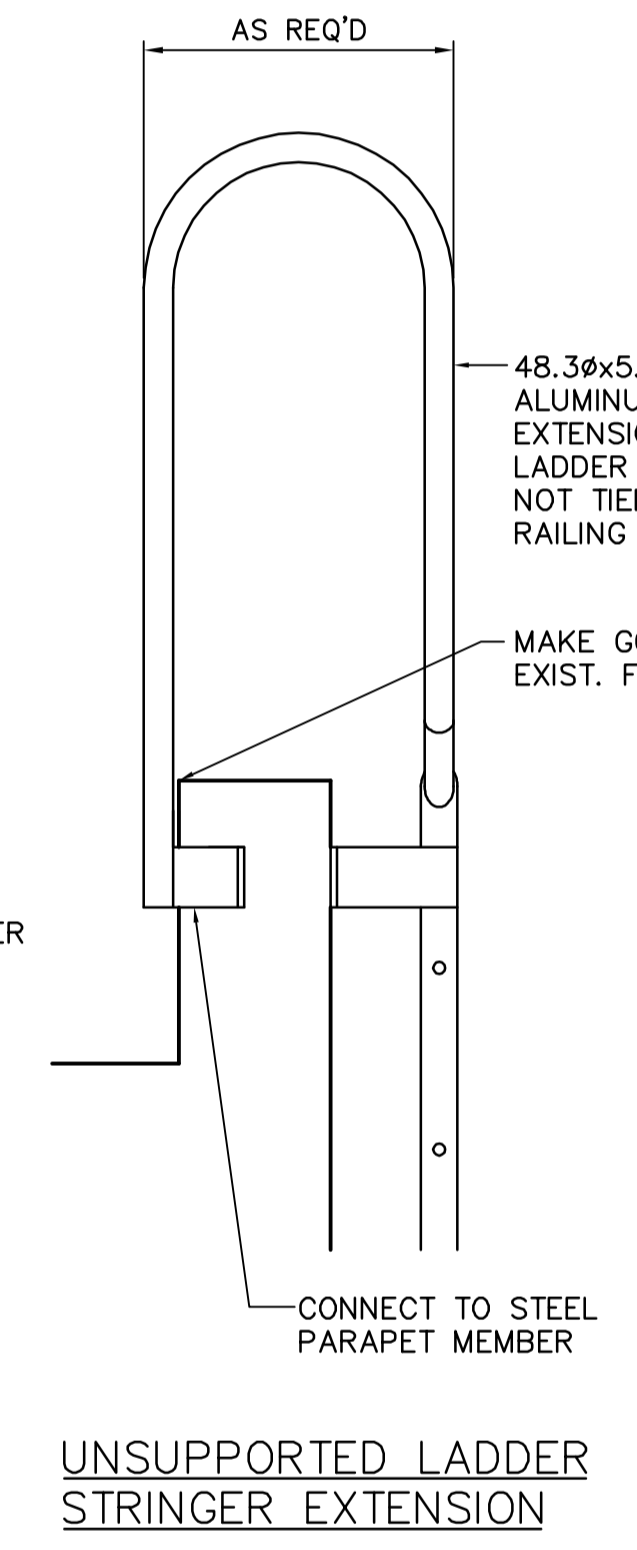
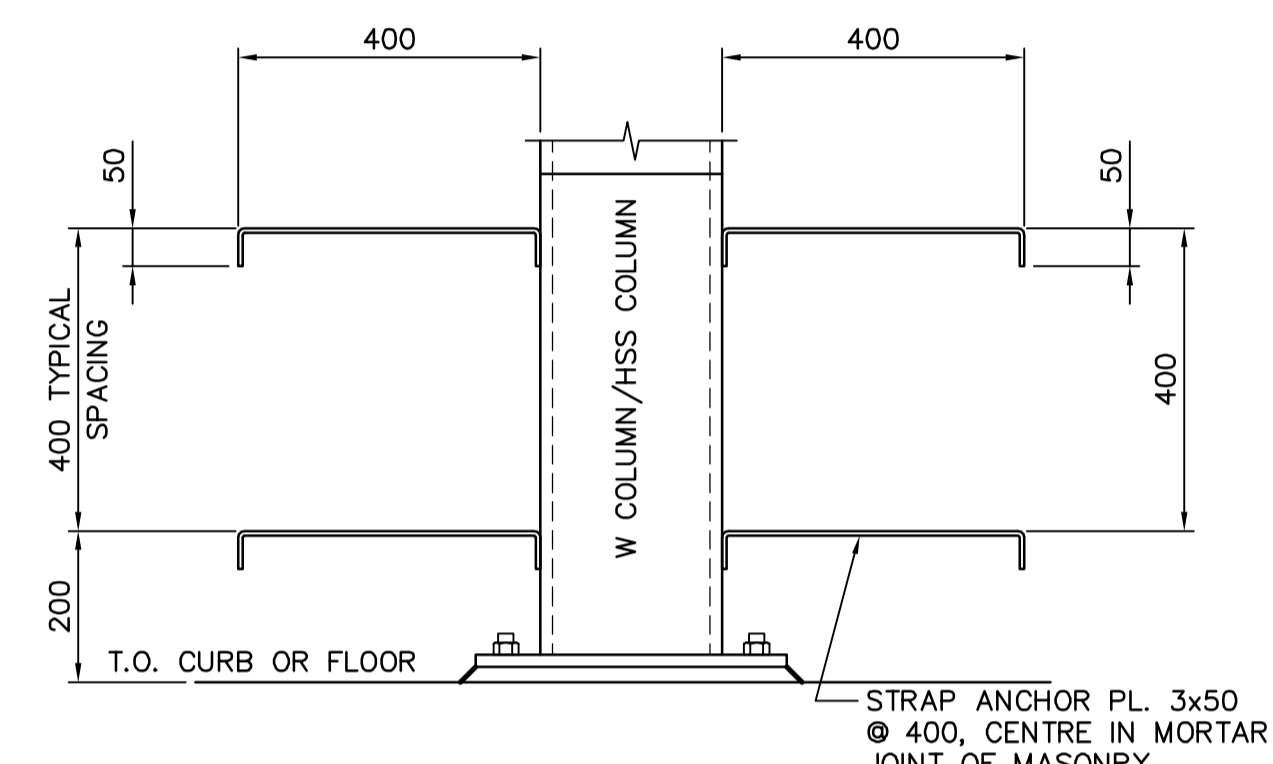
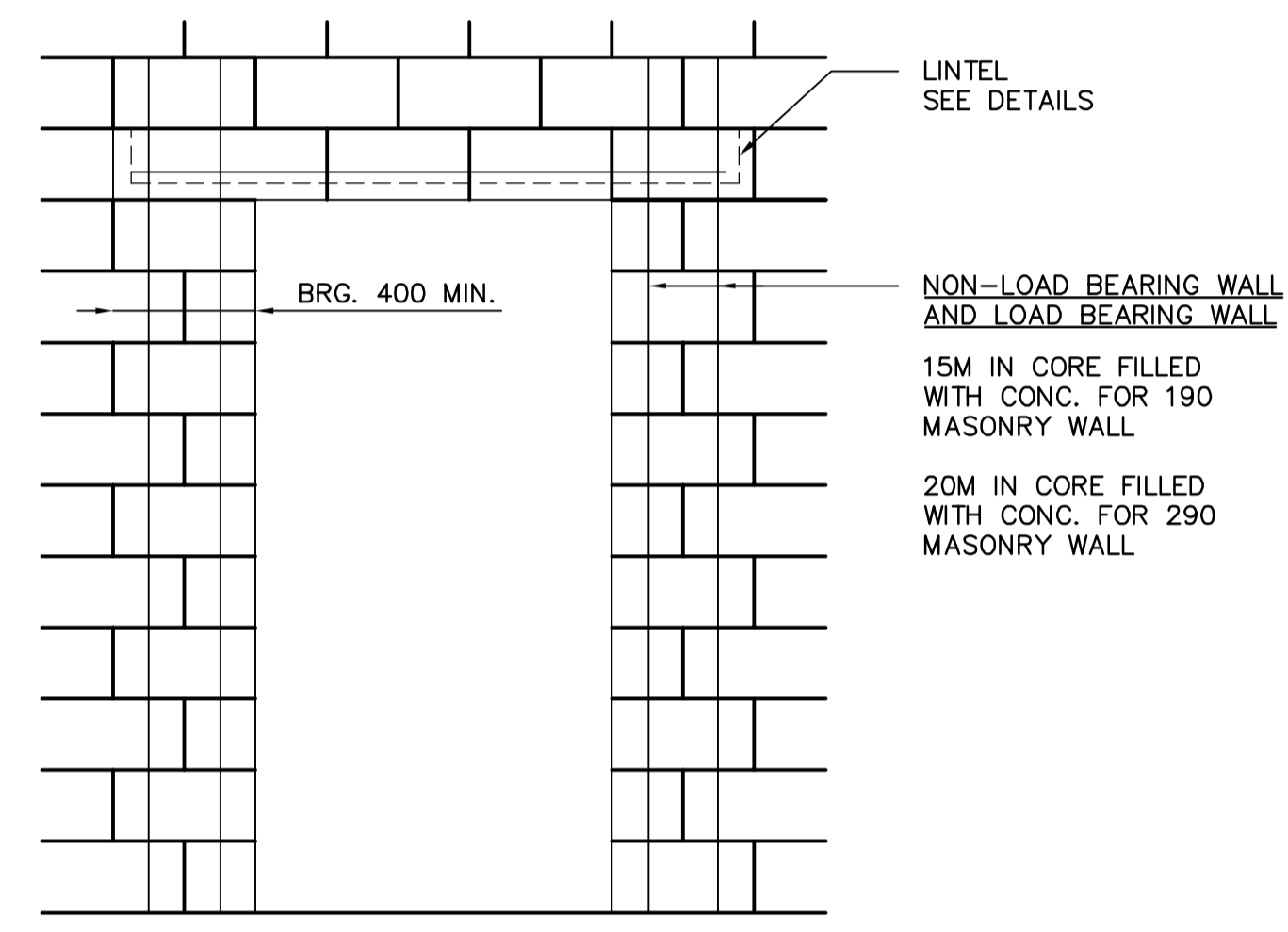
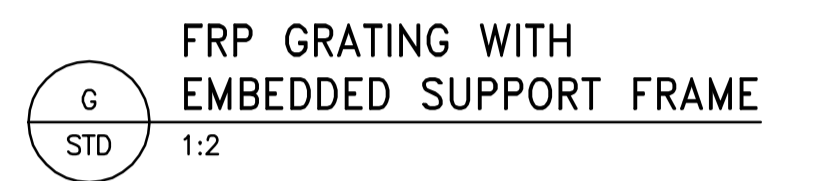
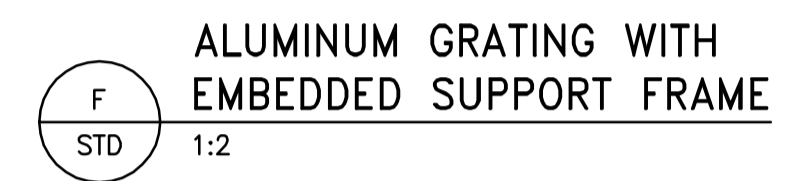
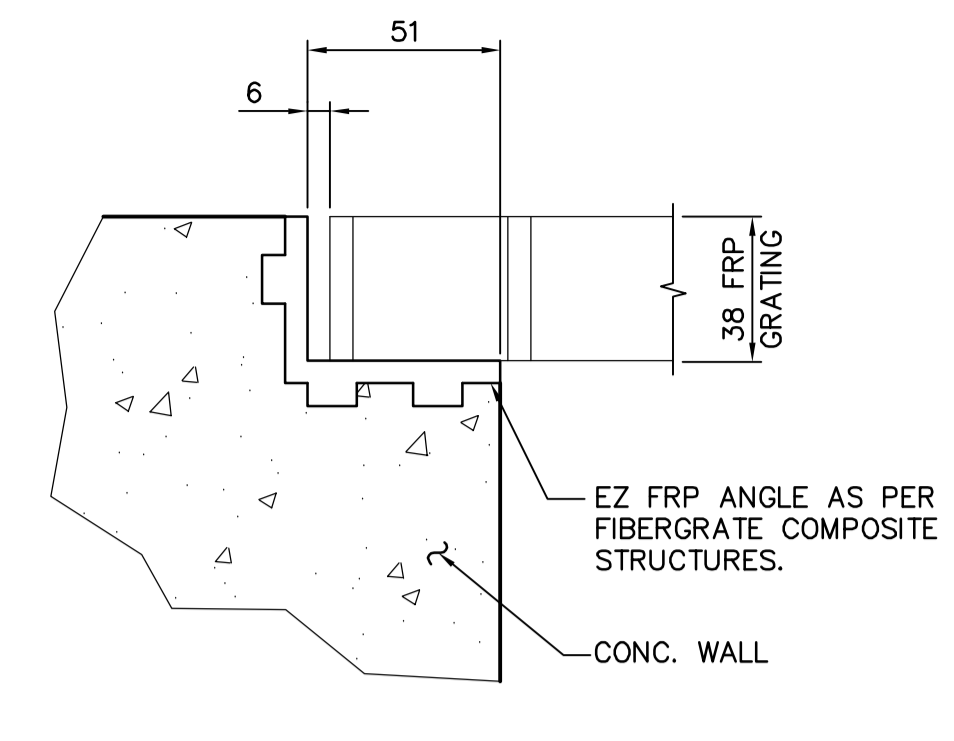
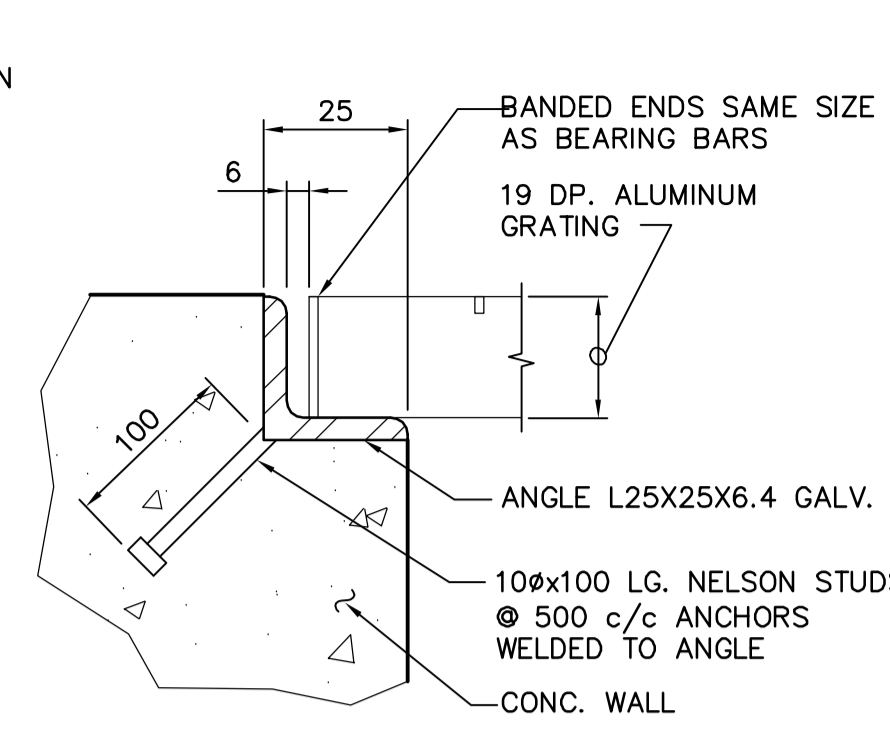
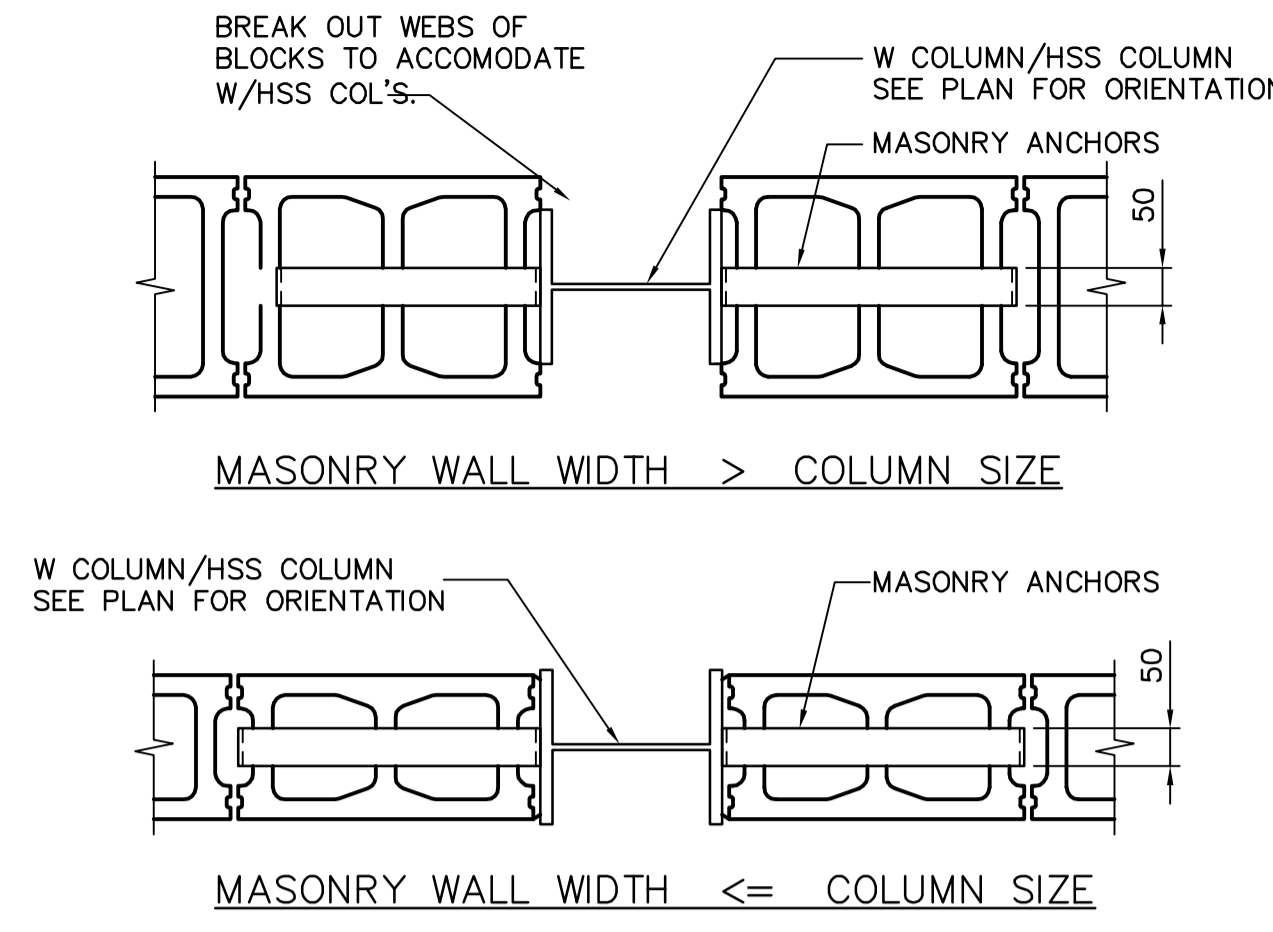
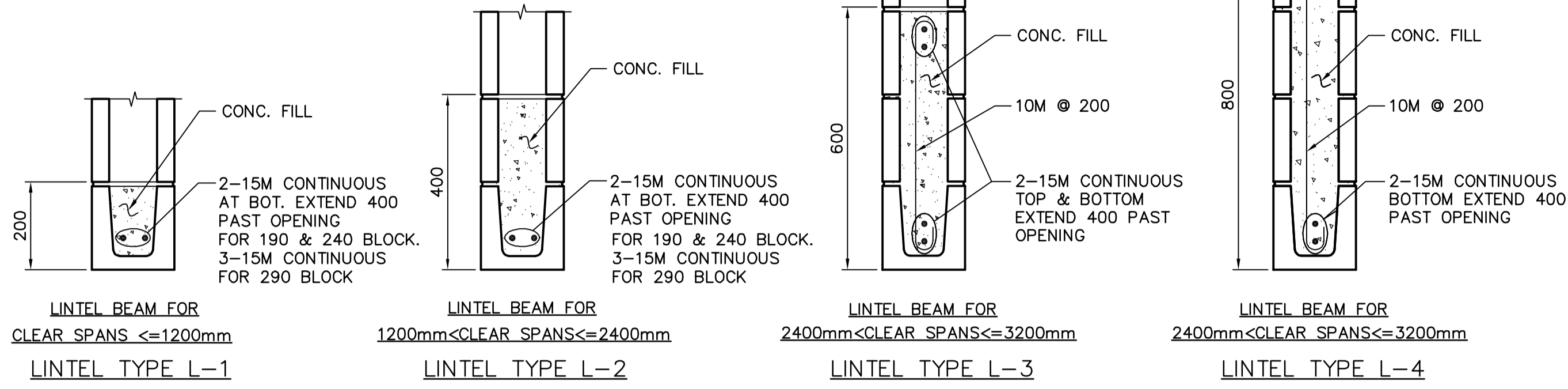
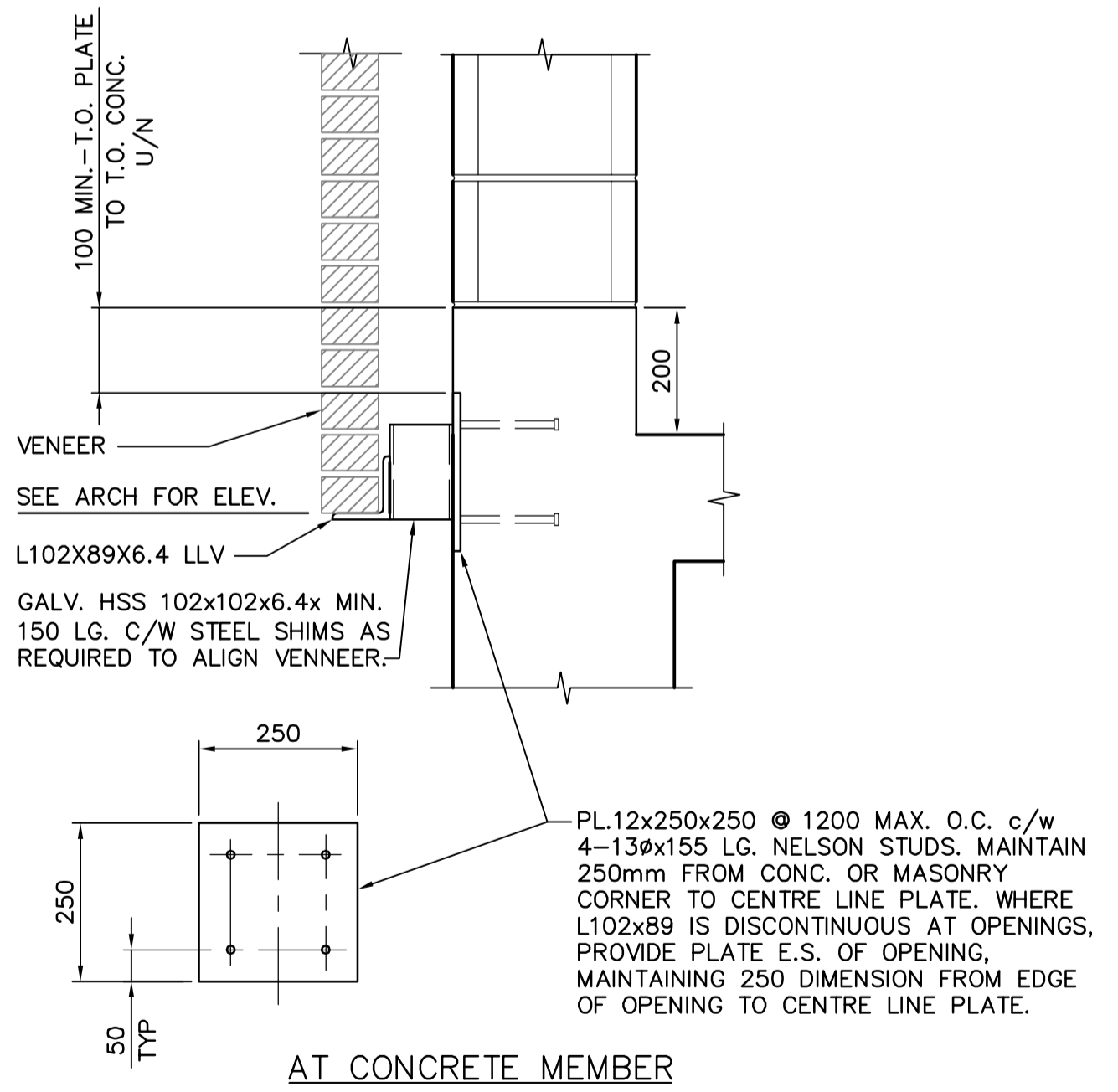


NOTE:
K.O. TYPE BLOCKS MAY BE USED FOR LINTELS AT LOCATIONS WHERE UNDERSIDE OF BLOCK WILL NOT BE VISIBLE.



- NOTES:
 1. PROVIDE AT ALL SIDES OF GRADE BEAMS & WALLS BELOW GRADE WHERE TREATED PAPER FACED VOID FORM IS USED.
 2. PROVIDE AT PERIMETER OF SLABS BELOW GRADE WHERE PRESSURE TREATED PAPER FACED VOID FORM IS USED.



- NOTE:
 1. ALL STEEL TO BE GALVANIZED.
 2. REFER TO ARCH. FOR ANGLE ELEVATION.



B.M. ELEV.					
DESIGNED BY	ARA	CHECKED BY	AP	ENGINEER'S SEAL	
DRAWN BY	CMF	APPROVED BY	AHL	ORIGINAL SIGNED BY	A. POCHANART
SCALE:	AS NOTED	RELEASED FOR CONSTRUCTION BY:	R. SOROKOWSKI	DATE	2007/01/31
00 ISSUED FOR TENDER	07/01/31	DATE	2006/08/30	DATE	2007/01/31
NO. REVISIONS	DATE	BY		CONSULTANT DRAWING NO.	WS-S0404

THE CITY OF WINNIPEG
 WATER AND WASTE DEPARTMENT
 ENGINEERING DIVISION

WATER TREATMENT PLANT
 BULK CHEMICAL BUILDING
 SODIUM HYPOCHLORITE AND CHEMICAL STORAGE BUILDING

STRUCTURAL
 STANDARD DETAILS

CITY FILE NUMBER
 SHEET OF
 CITY DRAWING NUMBER
1-06018-A-80404-001-00D