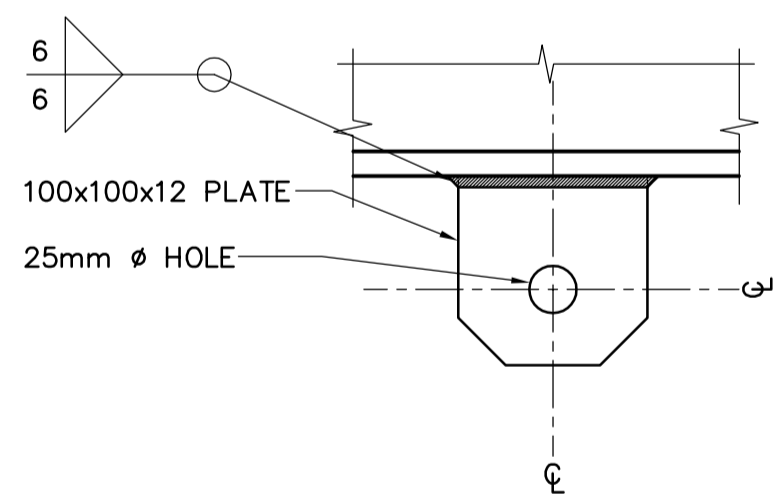
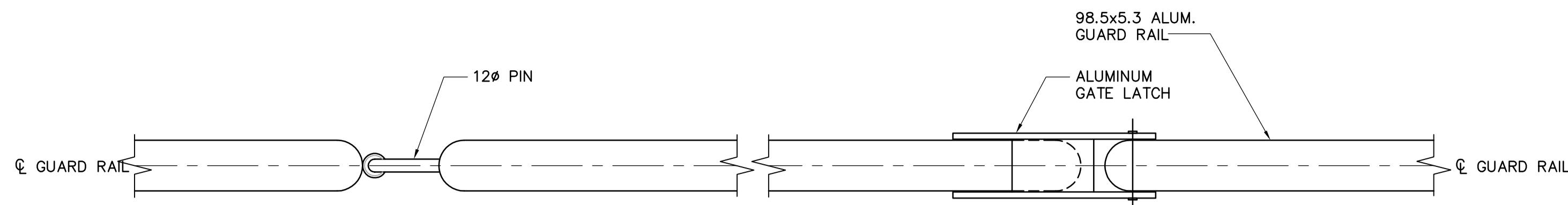


SERVICE GATE LOCATION - TYP.
1:20

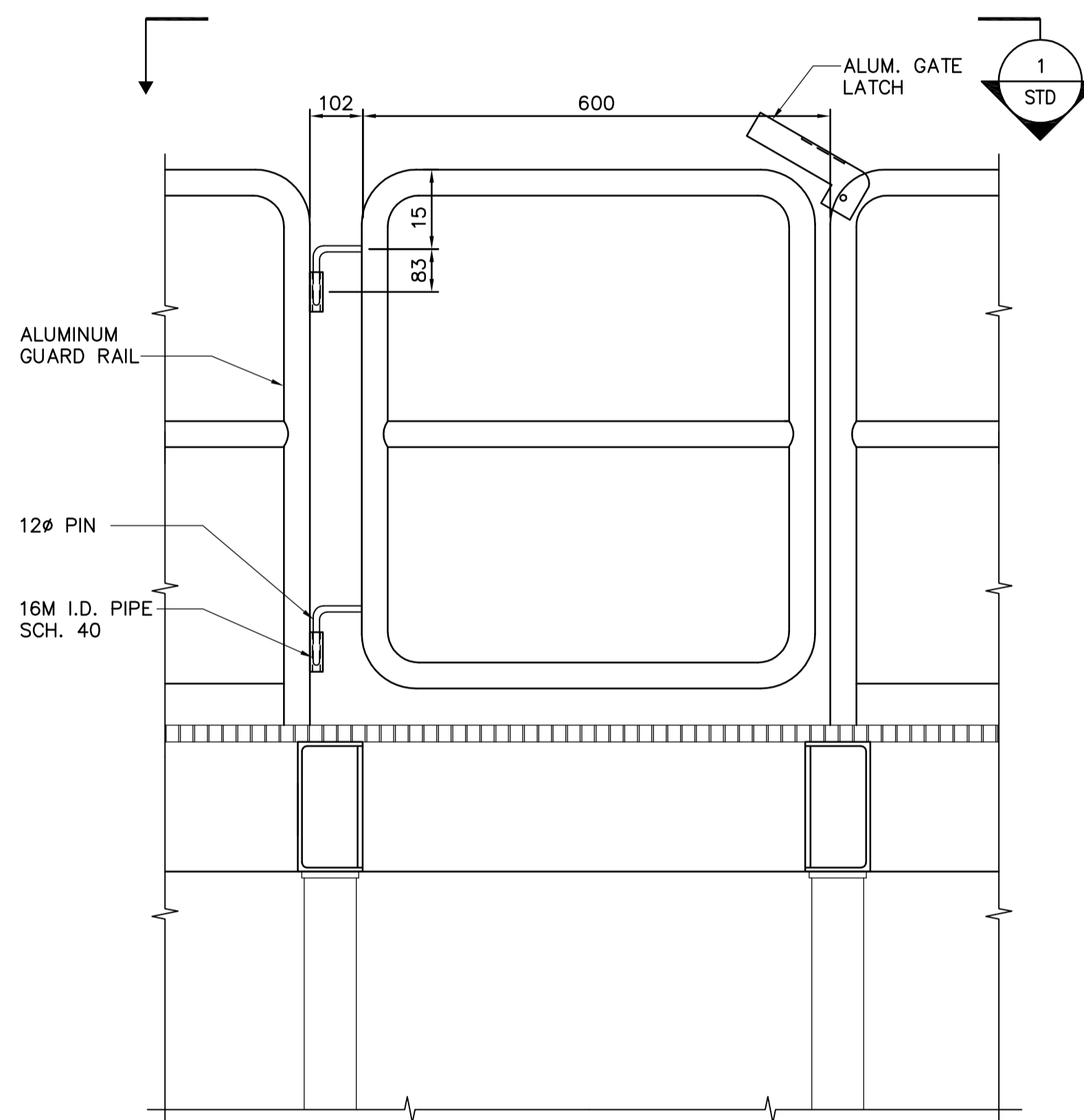


LANDYARD TIE-OFF DETAIL
1:10

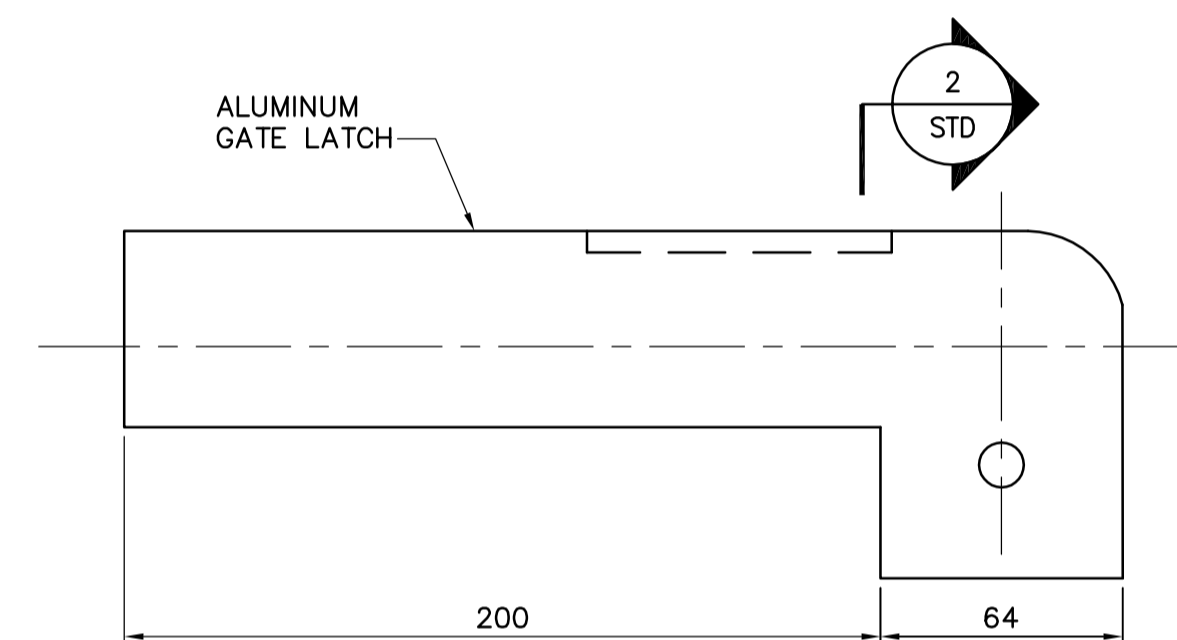
LANDYARD TIE OFF DETAIL RATED TO 22.24 KN (MIN.)



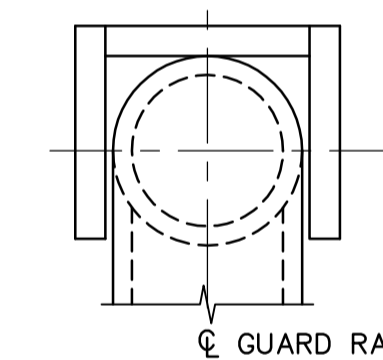
1 PLAN VIEW - SERVICE GATE
STD N.T.S.



A ELEVATION - SERVICE GATE
STD N.T.S.



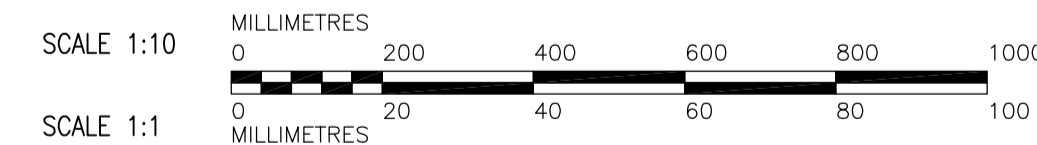
ELEVATION



2 SECTION
STD 1:2

A GATE LATCH
STD 1:10

NOTE:
COORDINATE GATE LOCATION w/MECHANICAL.
GATE TO ALIGN w/MECHANICAL UNIT TO ALLOW
FOR FILTER REMOVAL



B.M. ELEV.	CH2M HILL Frederickson Cooper ARCHITECTS		EarthTech A Tyco International Ltd. Company		ENGINEER'S SEAL	THE CITY OF WINNIPEG WATER AND WASTE DEPARTMENT ENGINEERING DIVISION	CITY FILE NUMBER	
	DESIGNED BY	ARA	CHECKED BY	AP	ORIGINAL SIGNED BY			SHEET OF
	DRAWN BY	CMF	APPROVED BY	AHL	A. POCHANART			
	SCALE:	AS NOTED	RELEASED FOR CONSTRUCTION BY:	R. SOROKOWSKI	2007/01/31			WATER TREATMENT PLANT BULK CHEMICAL BUILDING SODIUM HYPOCHLORITE AND CHEMICAL STORAGE BUILDING
00 ISSUED FOR TENDER	07/01/31	WDB			CONSULTANT DRAWING NO.	STRUCTURAL STANDARD DETAILS	CITY DRAWING NUMBER	
NO. REVISIONS	DATE	BY	DATE	DATE	WS-S0402		1-06019-A-S0402-001-000	