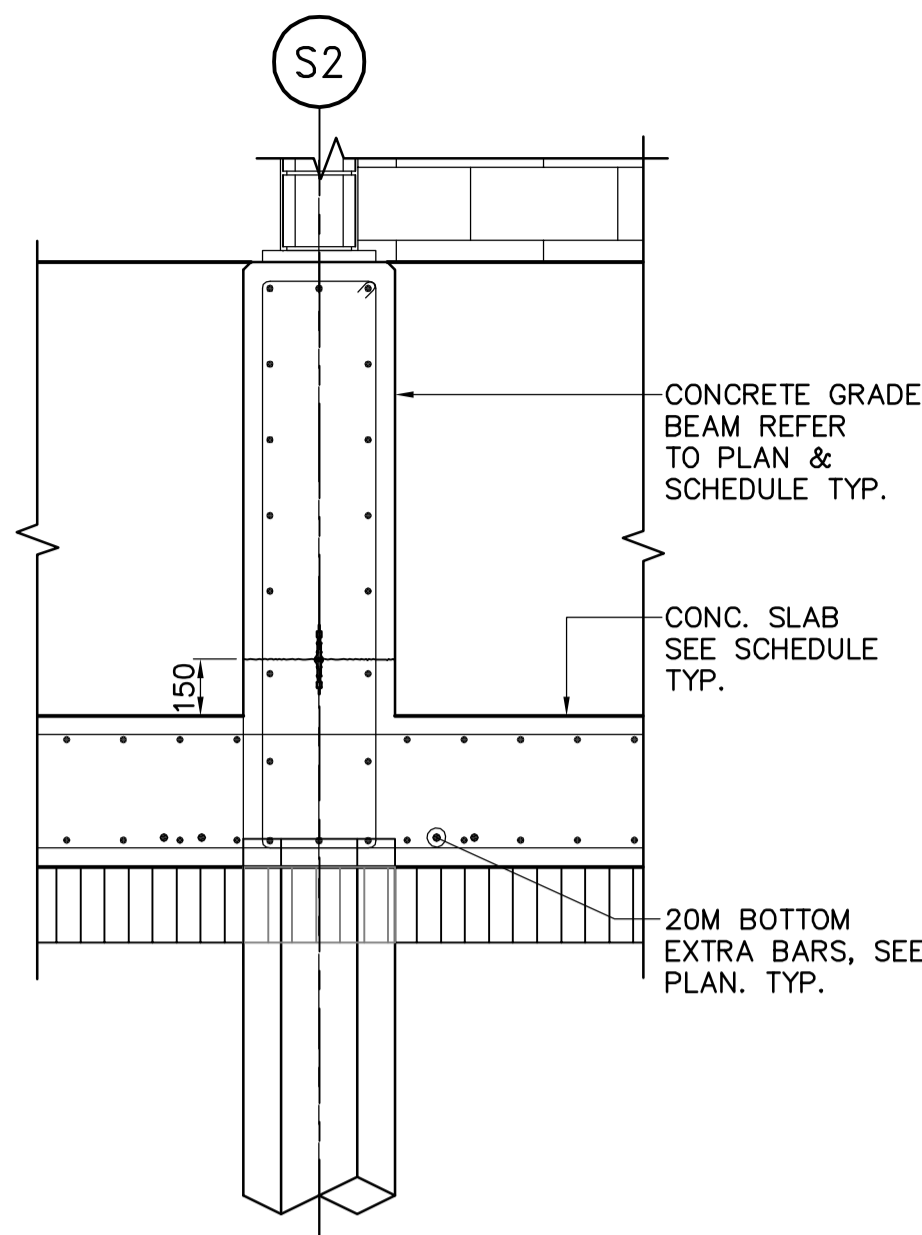
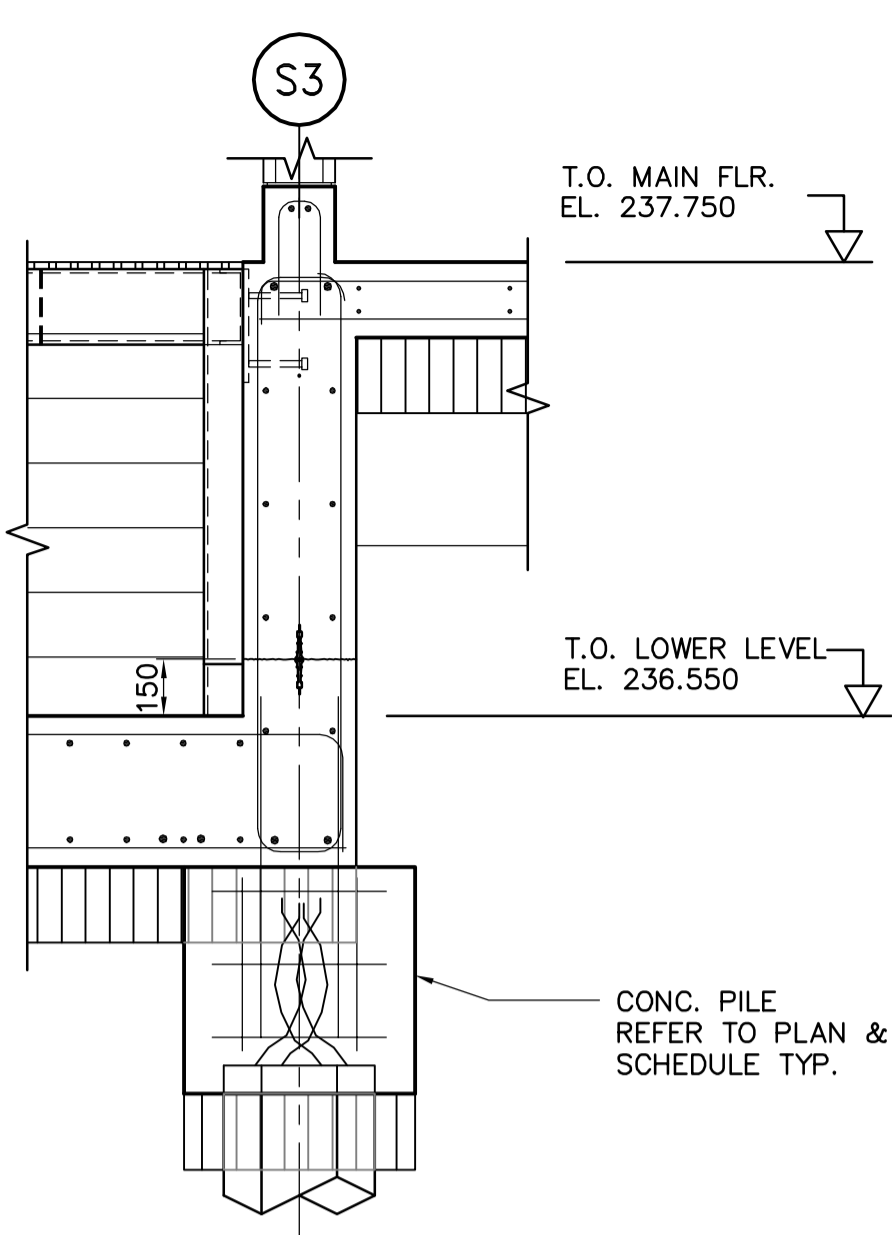


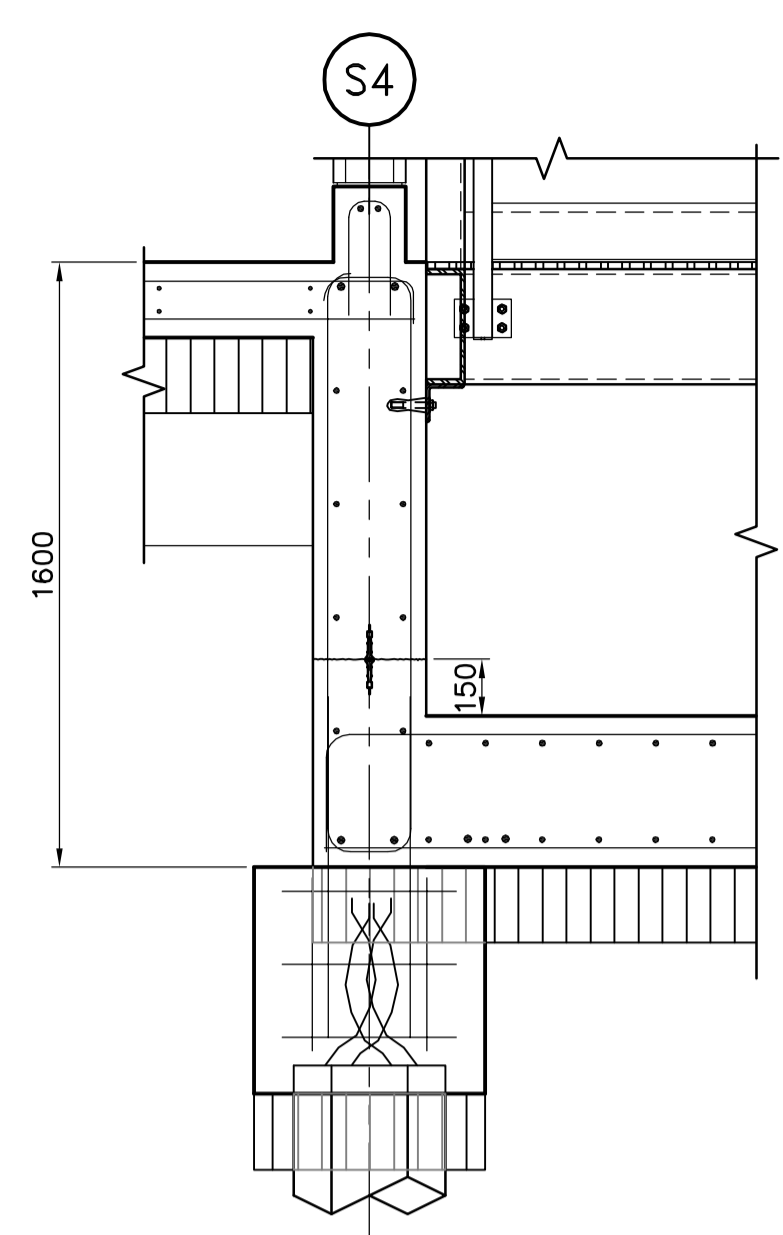
A SECTION DETAIL
WS-S0408 1:10



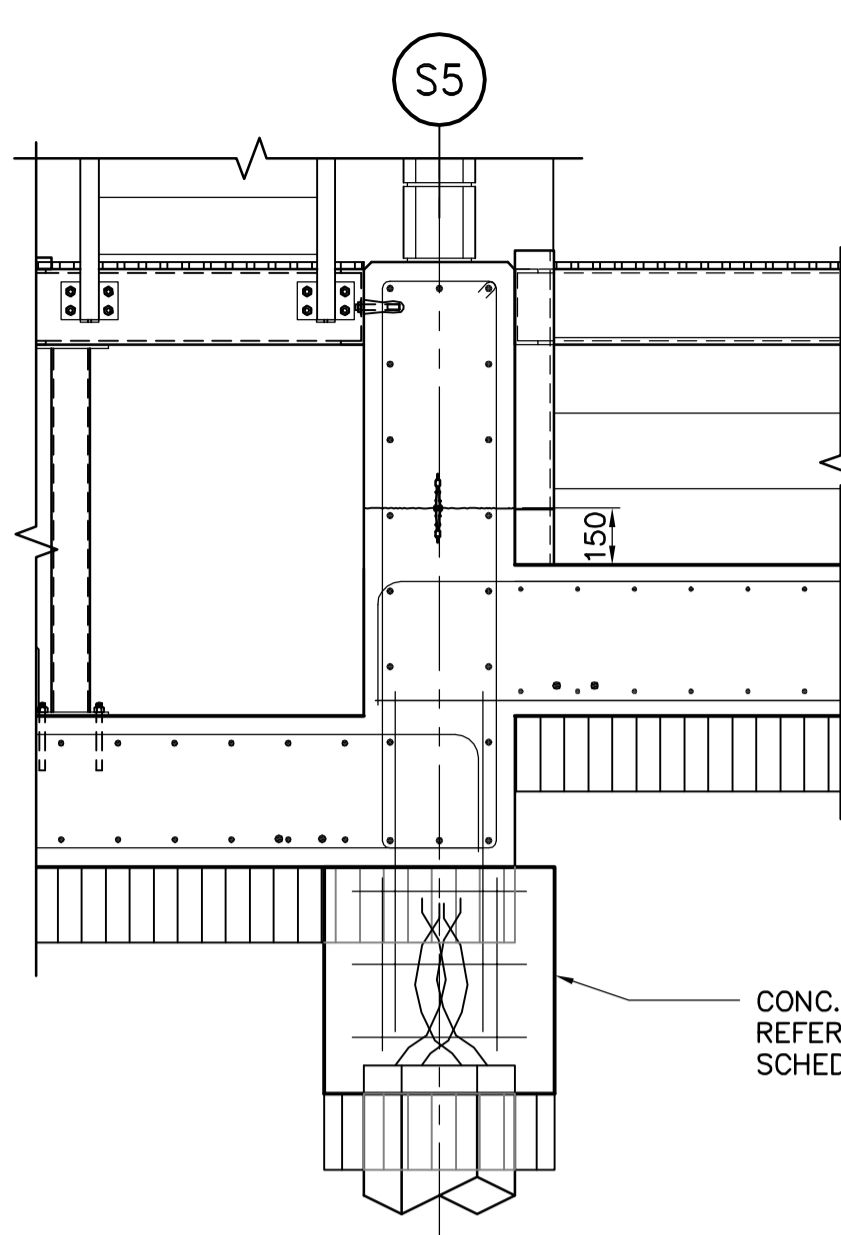
B SECTION DETAIL
WS-S0409 1:10



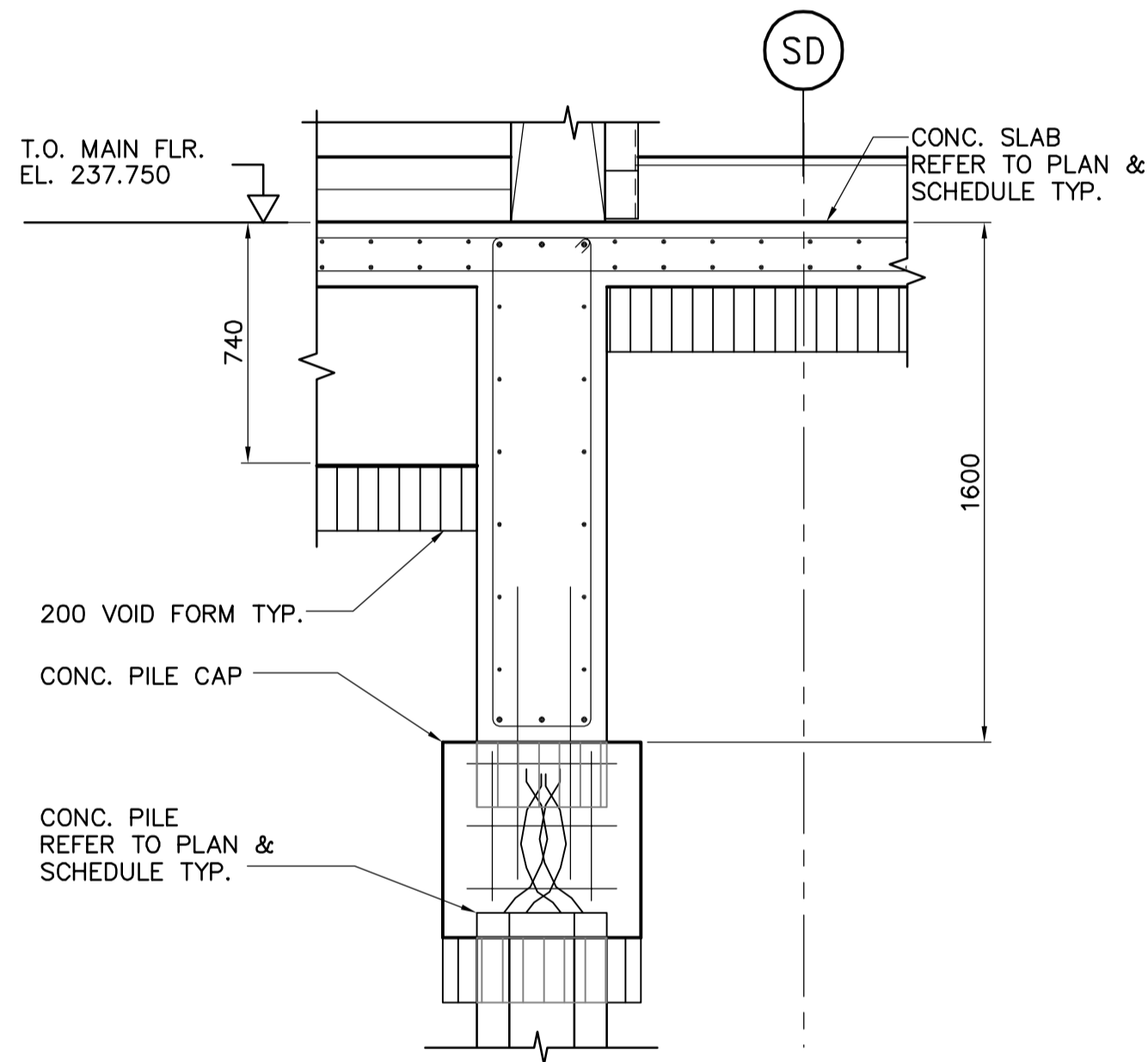
C SECTION DETAIL
WS-S0409 1:10



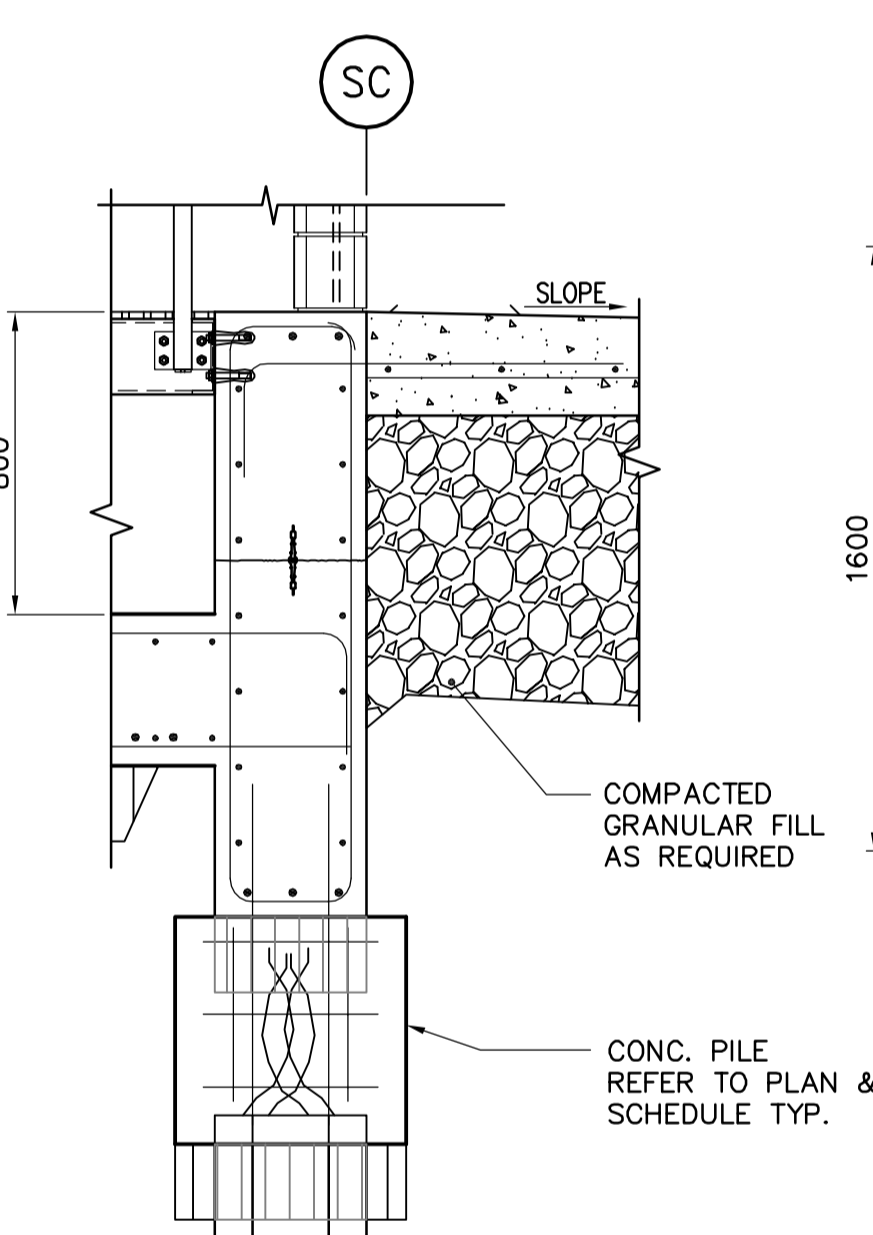
D SECTION DETAIL
WS-S0409 1:10



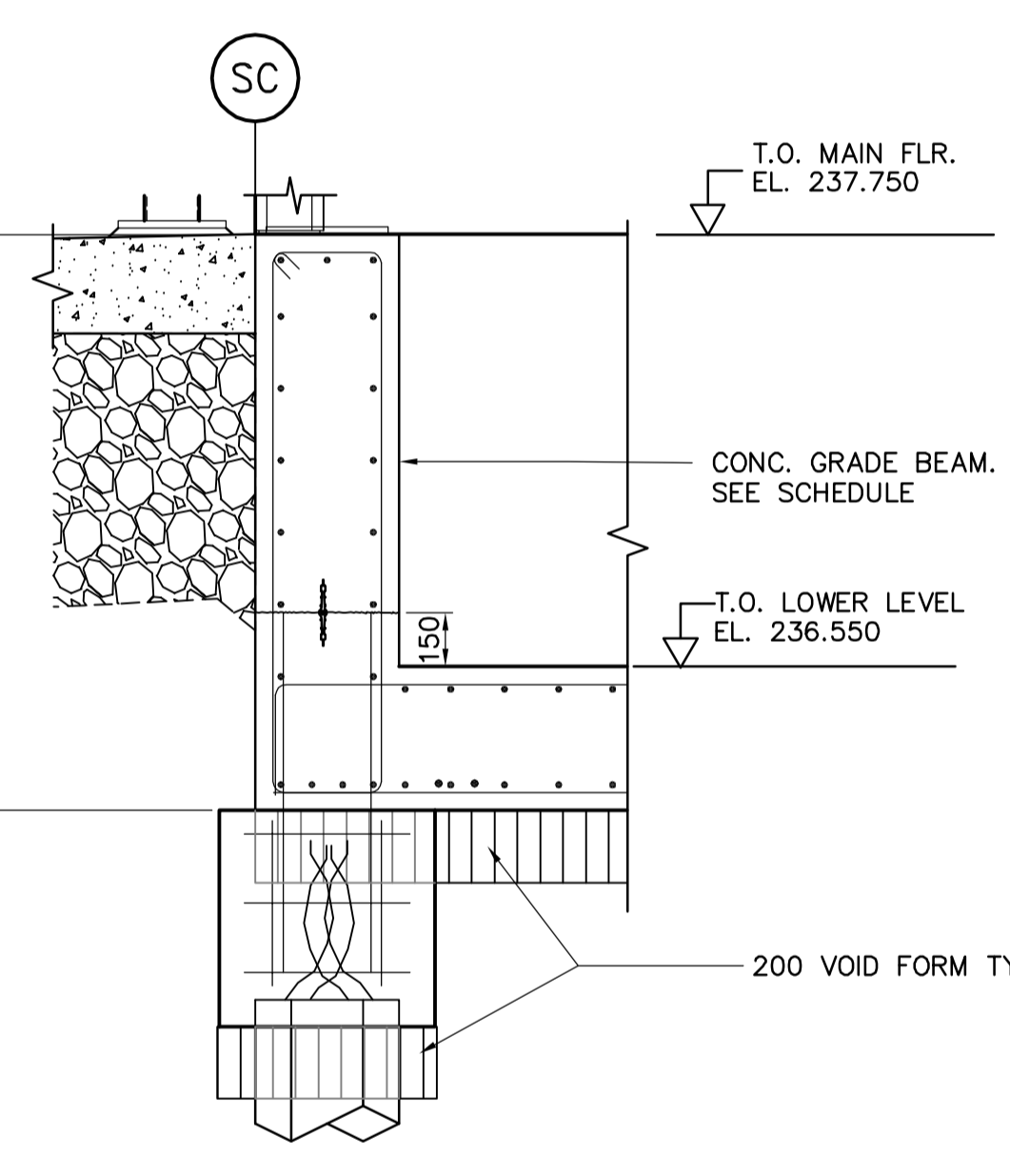
E SECTION DETAIL
WS-S0409 1:10



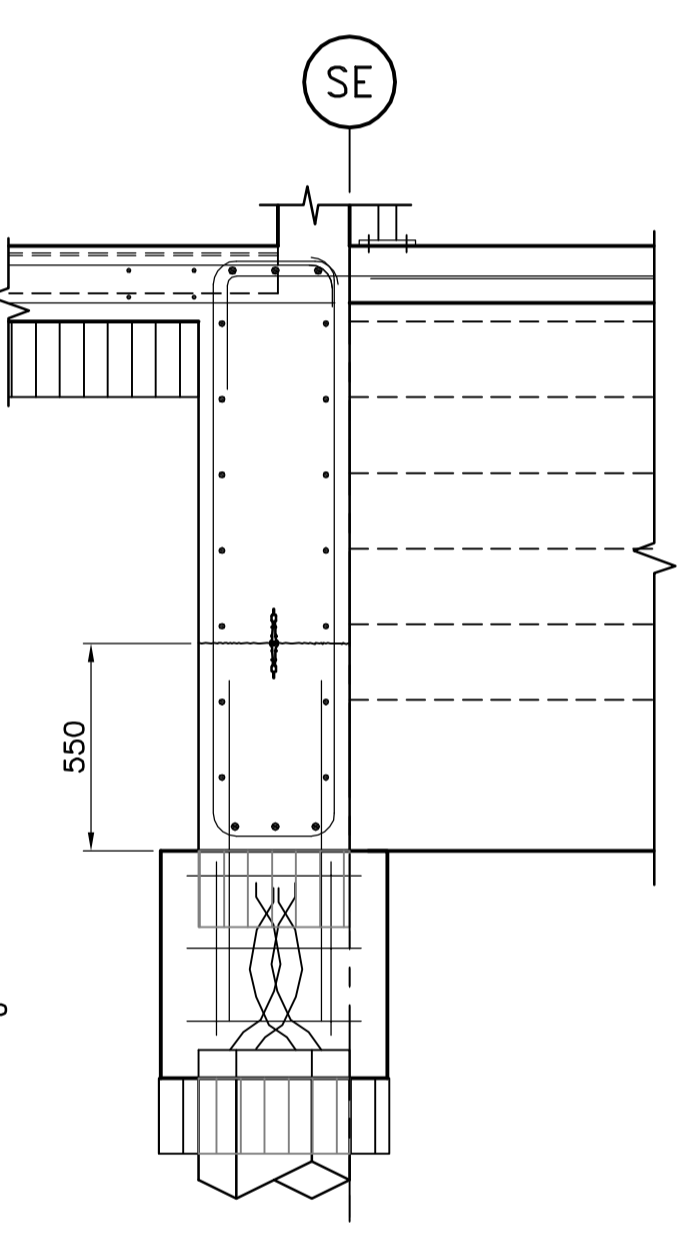
F SECTION DETAIL
WS-S0202 1:10



G SECTION DETAIL
WS-S0407 1:10

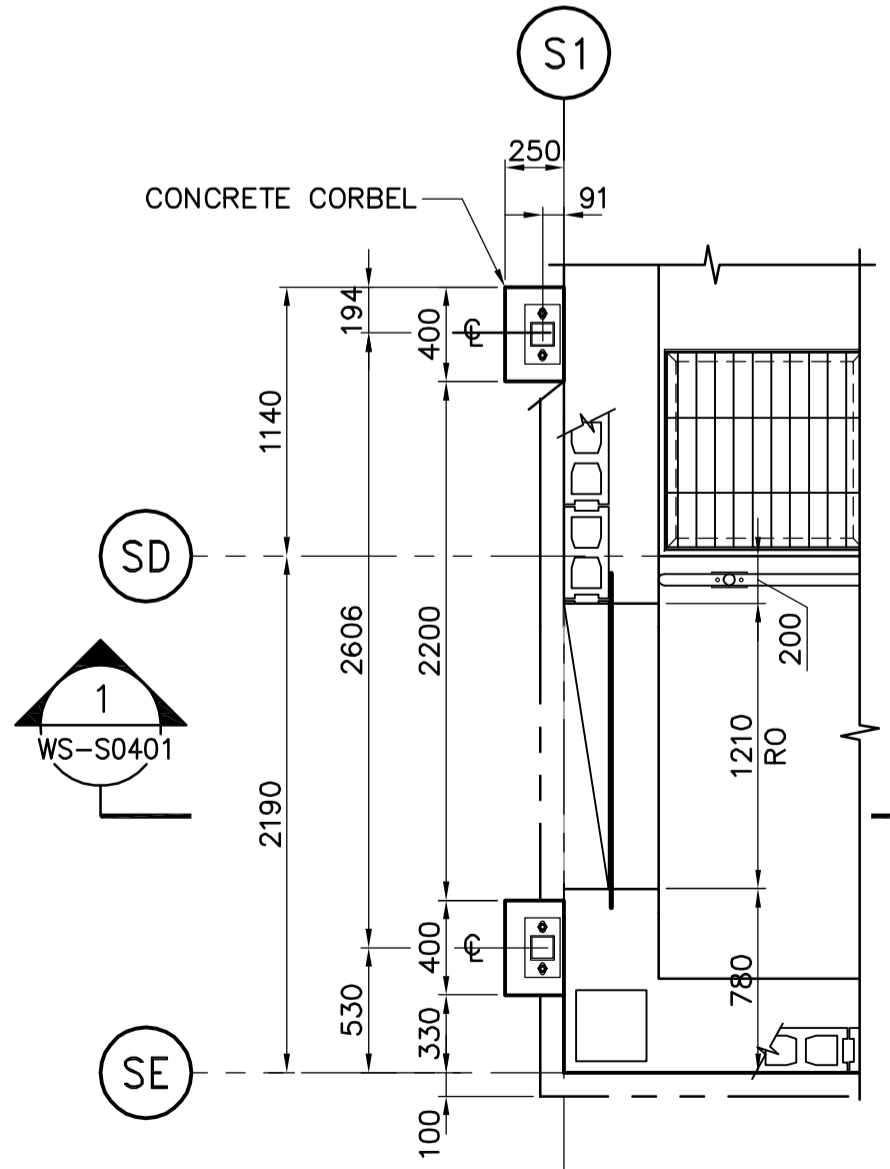


H SECTION DETAIL
WS-S0407 1:10



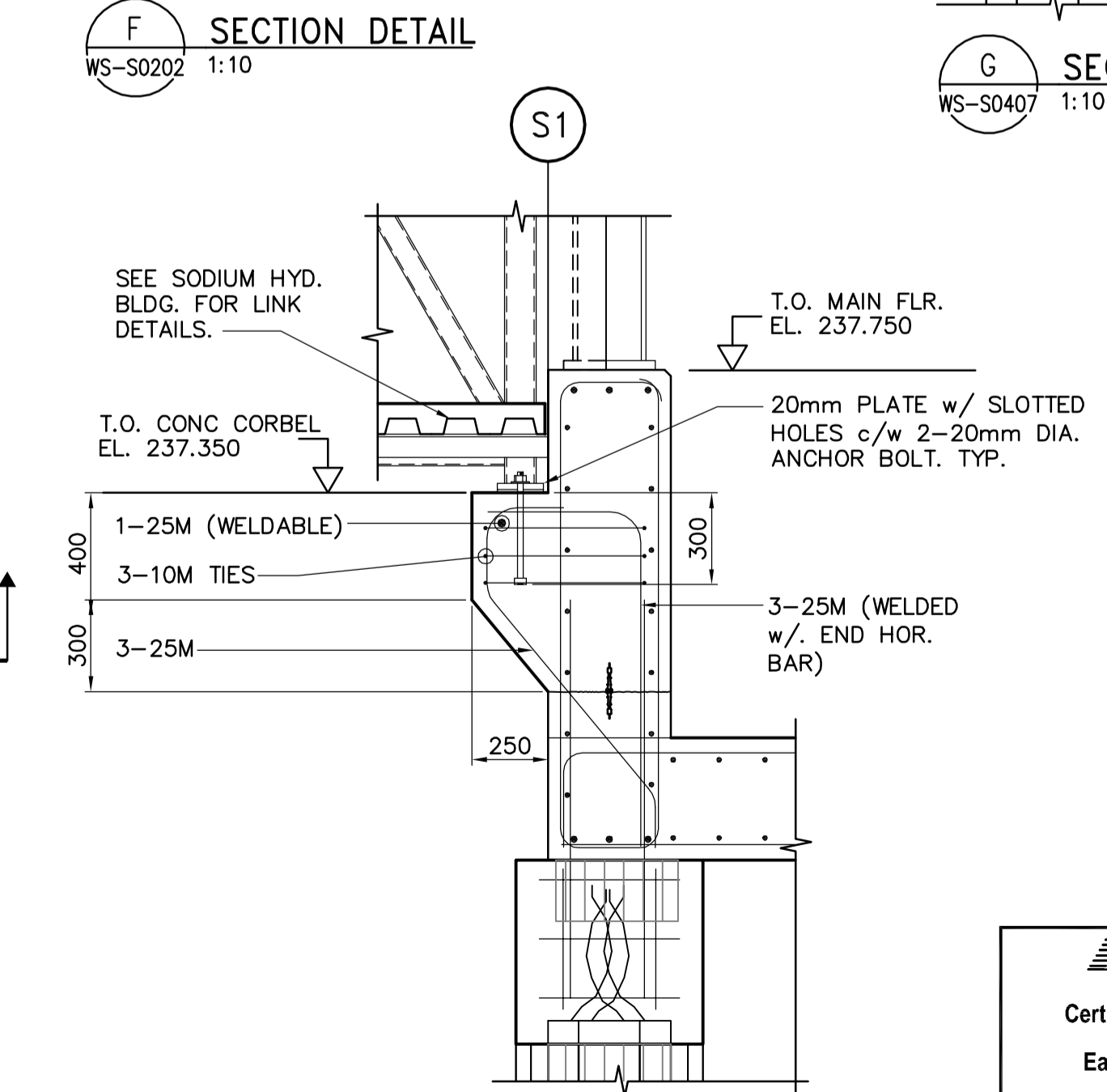
J SECTION DETAIL
WS-S0407 1:10

NOTE:
FOR REINFORCING DISCRPTION SEE SCHEDULES.

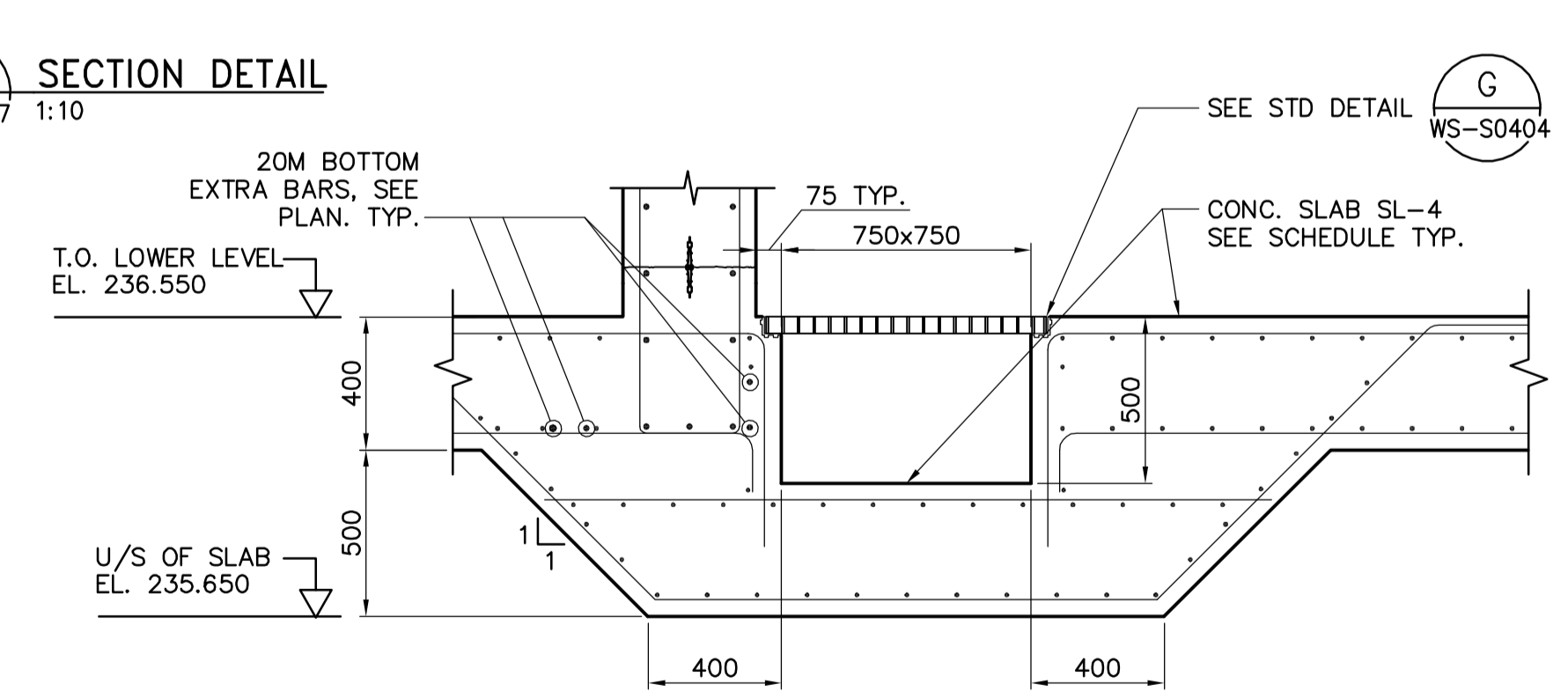
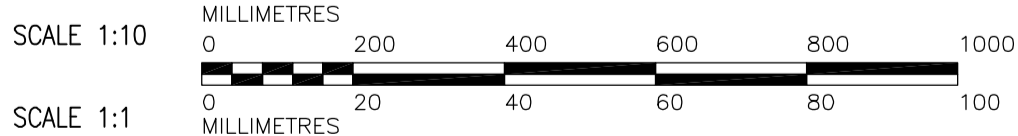


K DETAIL AT LINK
WS-S0110 1:10

*AT EACH CORBEL BEARING LOCATION:
DEAD LOAD = 25 KN
LIVE LOAD = 20 KN



1 SECTION
WS-S0401 1:20



2 SECTION DETAIL
WS-S0110 1:10

APEGM
Certificate of Authorization
Earth Tech Canada Inc.
No. 730 Expiry: April 30, 2007

B.M. ELEV.					
DESIGNED BY	ARA	CHECKED BY		ENGINEER'S SEAL	
DRAWN BY	CMF	APPROVED BY	AHL	ORIGINAL SIGNED BY	A. POCHANART
SCALE:	AS NOTED	RELEASED FOR CONSTRUCTION BY:	R. SOROKOWSKI	DATE	2007/01/31
00 ISSUED FOR TENDER	07/01/31	DATE	2006/10/04	CONSULTANT DRAWING NO.	WS-S0401
NO. REVISIONS		DATE			

THE CITY OF WINNIPEG
WATER AND WASTE DEPARTMENT
ENGINEERING DIVISION

WATER TREATMENT PLANT
BULK CHEMICAL BUILDING
SODIUM HYPOCHLORITE AND CHEMICAL STORAGE BUILDING

STRUCTURAL
BUILDING SECTIONS AND DETAILS

CITY FILE NUMBER
SHEET OF
CITY DRAWING NUMBER
1-0608-A-50401-001-00D