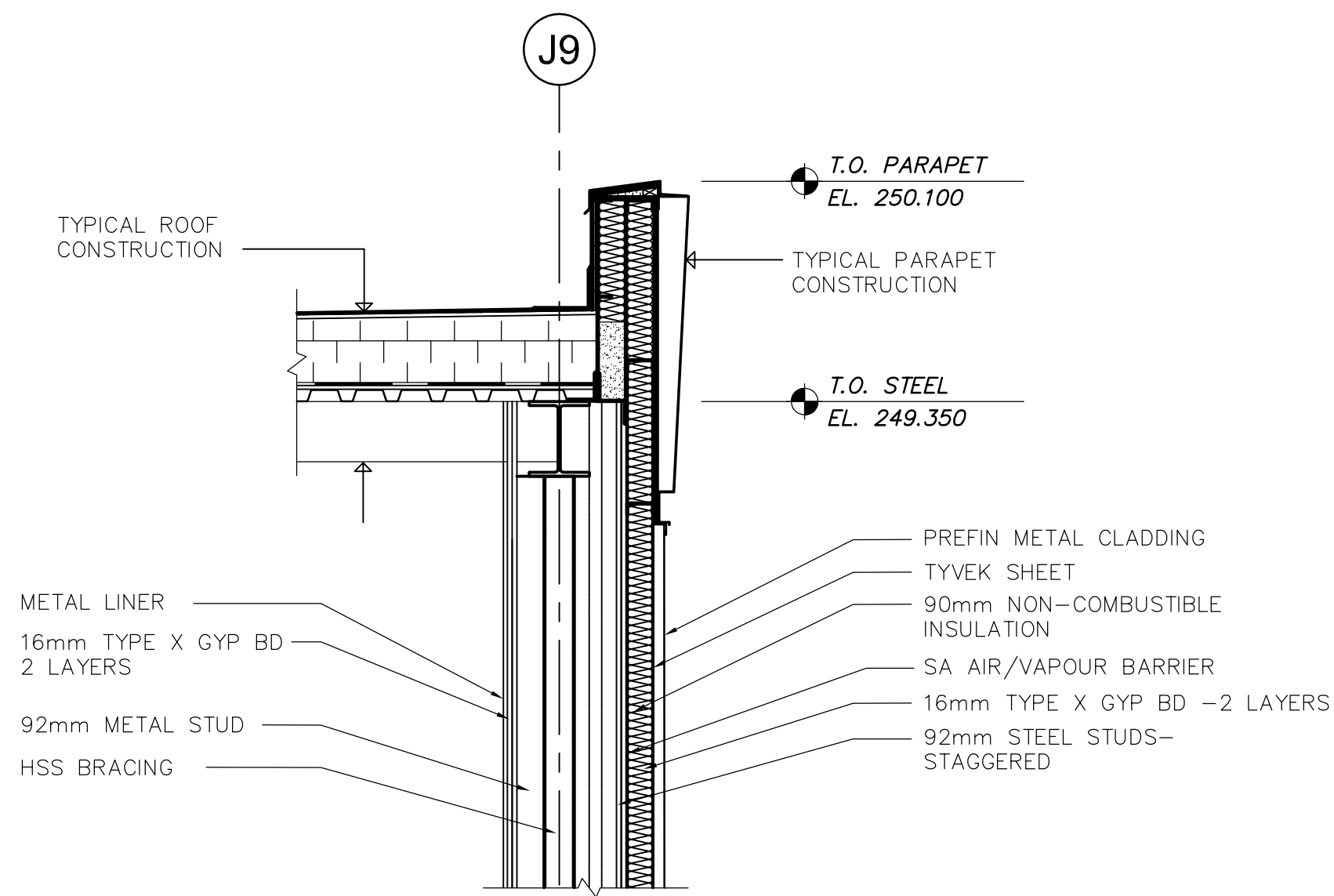
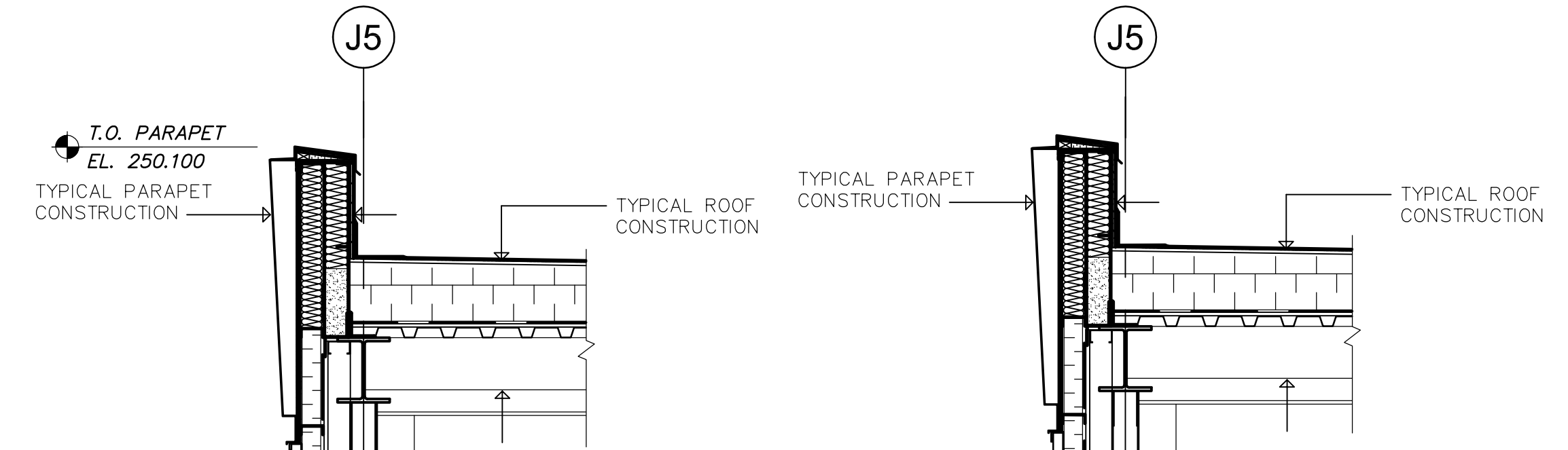


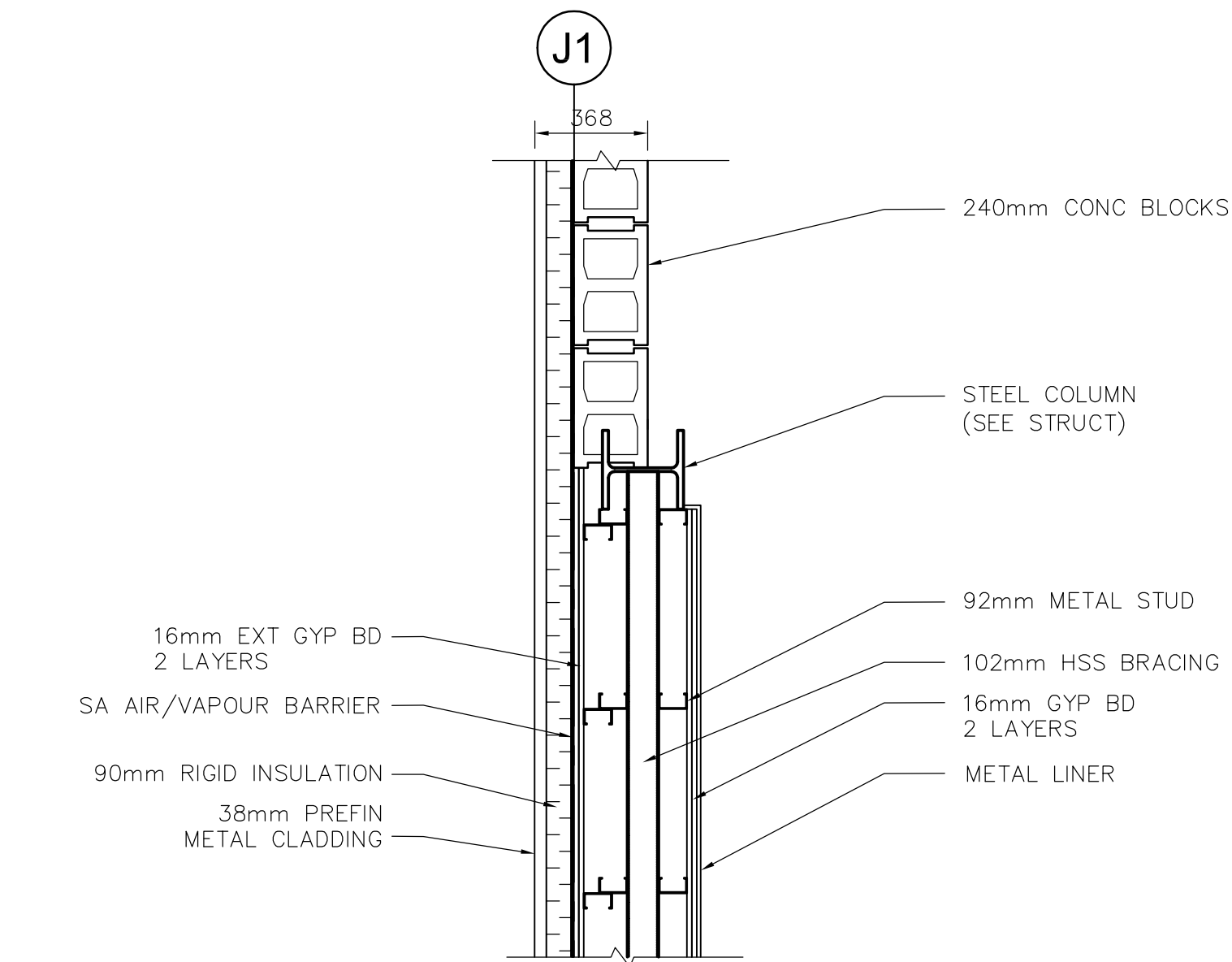
5 PARAPET DETAIL @ LOWER ROOF BRACING BAY
WJ-B0130 1:20



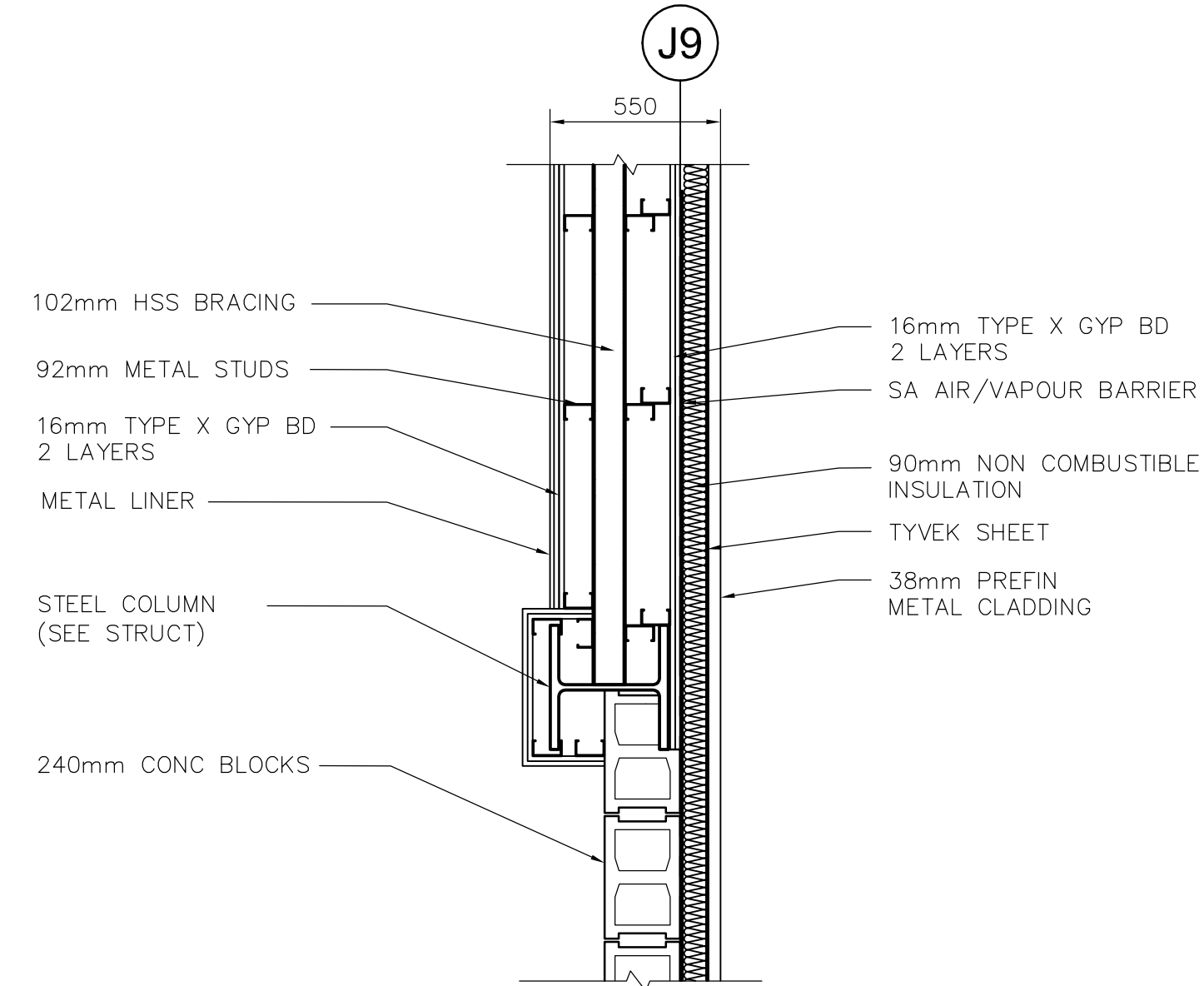
6 PARAPET DETAIL @ HIGHER ROOF BRACING BAY
WJ-B0130 1:20



3 WALL SECTION
WJ-B0130 1:20



1 PLAN DETAIL @ EXT WALL AND BRACING
WJ-B0110 1:20



2 PLAN DETAIL @ EXT RATED WALL AND BRACING
WJ-B0110 1:20

		B.M. ELEV.	
DESIGNED BY	NC	CHECKED BY	LK
DRAWN BY	AL	APPROVED BY	AHL
SCALE:	AS SHOWN	RELEASED FOR CONSTRUCTION BY:	R. SOROKOWSKI
00 ISSUED FOR TENDER	07/01/31	AL	
NO. REVISIONS	DATE	BY	DATE
			2006/10/02
			2007/01/31

		ENGINEER'S SEAL
WATER TREATMENT PLANT SODIUM HYPOCHLORITE GENERATION BUILDING SODIUM HYPOCHLORITE AND CHEMICAL STORAGE BUILDING		ORIGINAL SIGNED BY NEIL COOPER 2007/01/31
ARCHITECTURAL WALL SECTION DETAILS		CONSULTANT DRAWING NO. WJ-B0402
CITY FILE NUMBER		
SHEET OF		
CITY DRAWING NUMBER		
1-0601J-A-B0402-01-000		