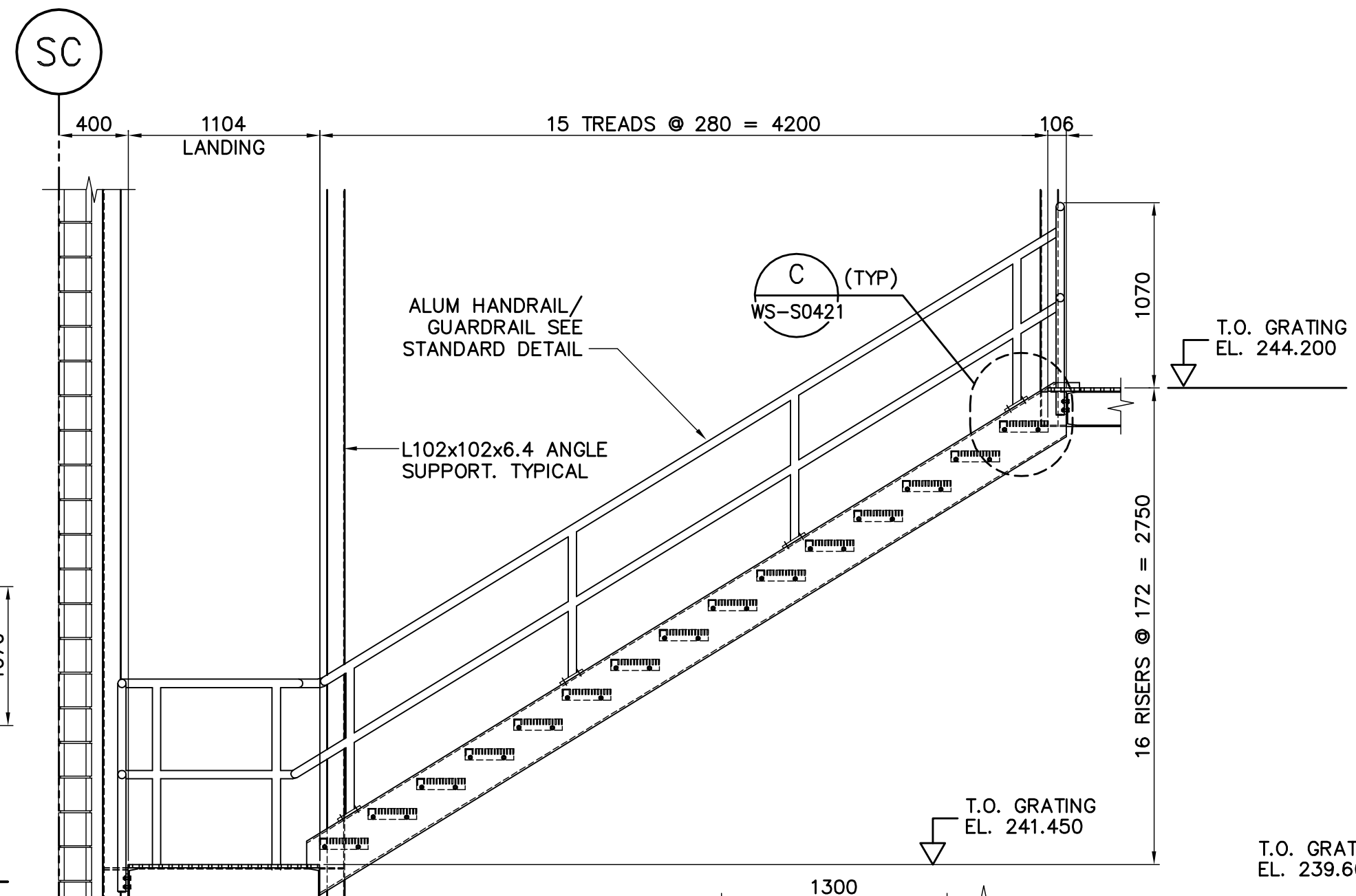
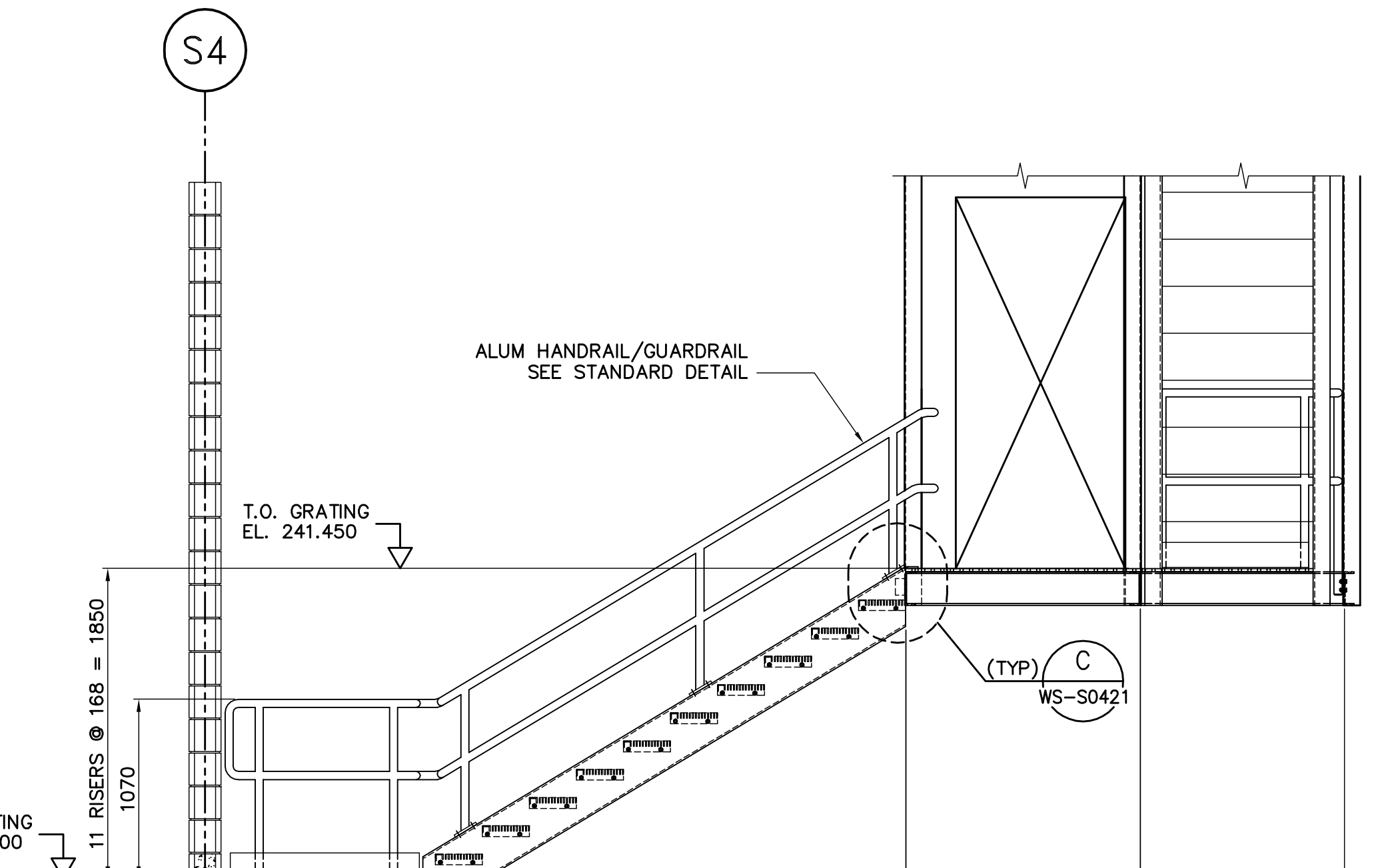


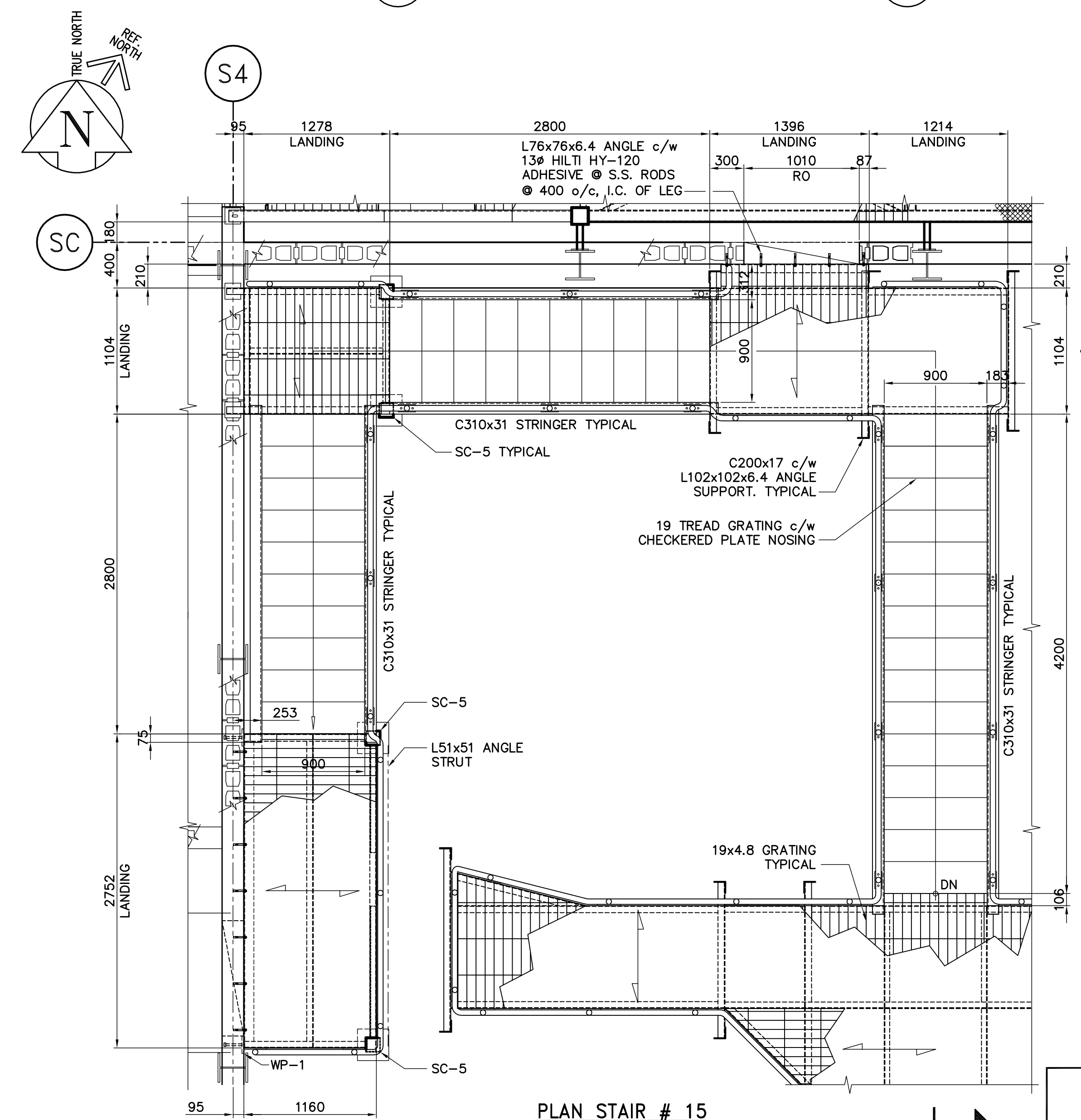
8 SECTION @ STAIR # 15
WS-S0426 1:40



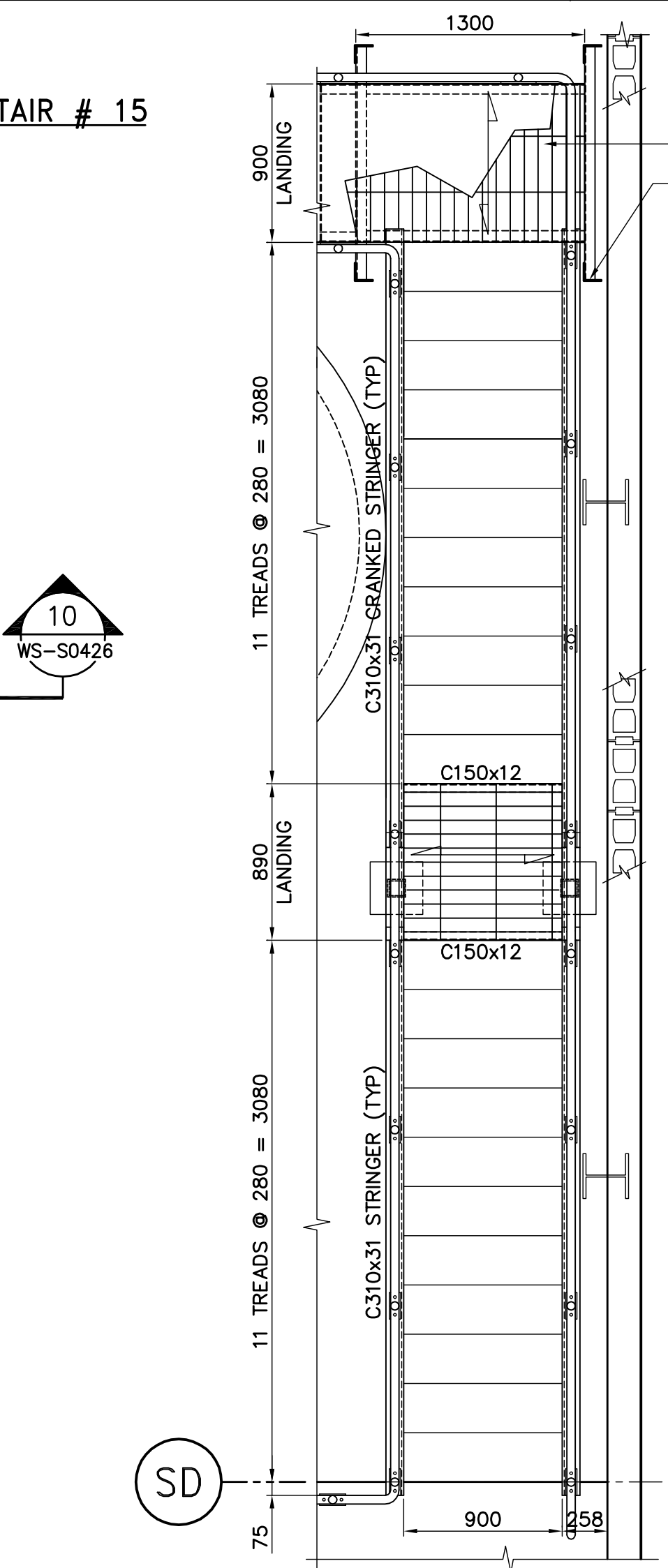
9 SECTION @ STAIR # 15
WS-S0426 1:30



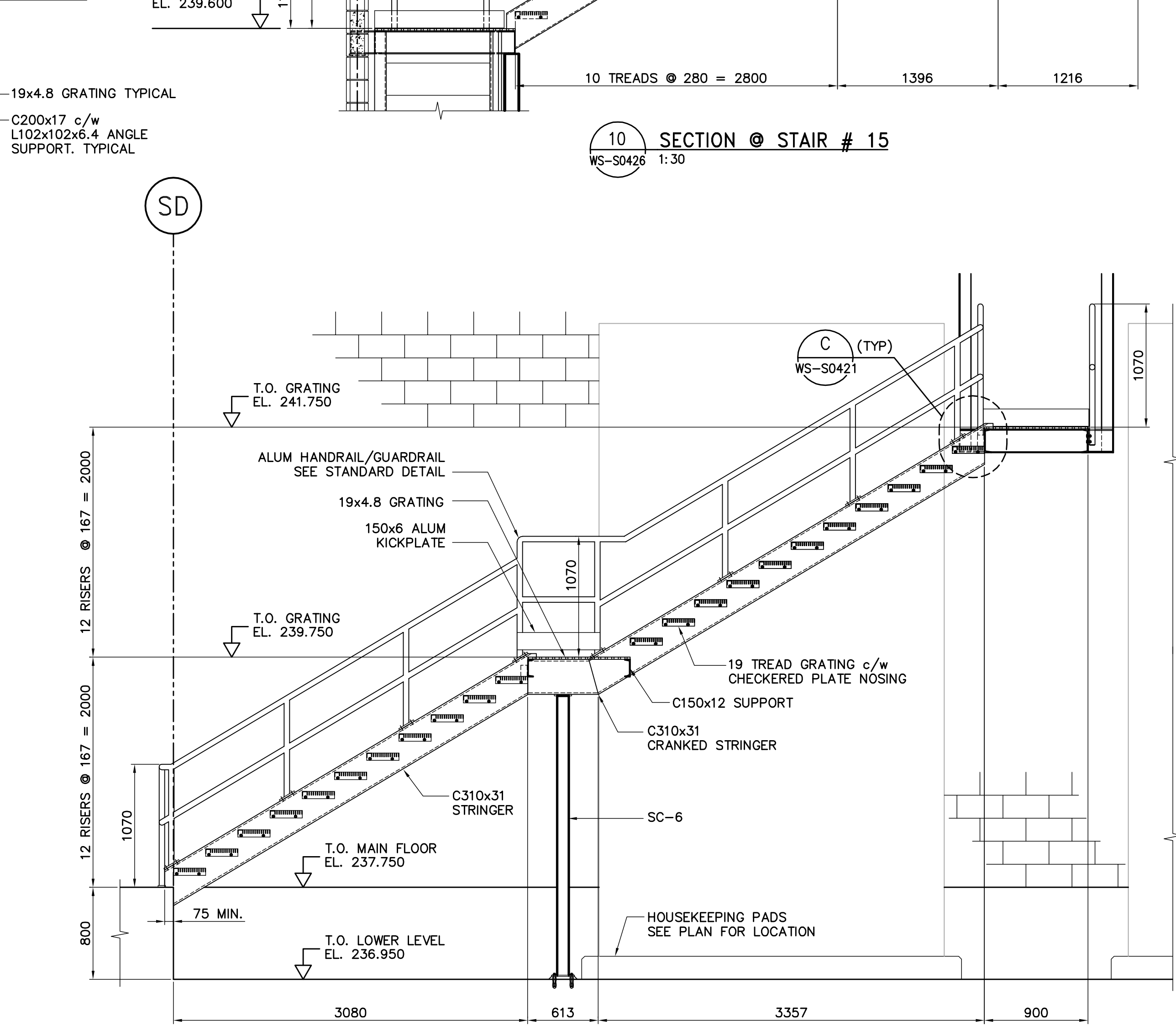
10 SECTION @ STAIR # 15
WS-S0426 1:30



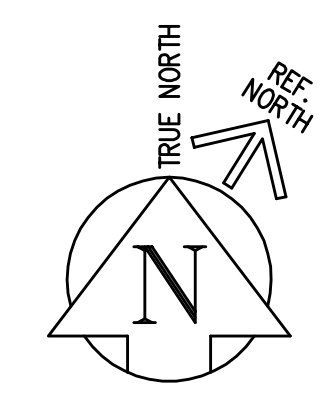
PLAN STAIR # 15
1:30



11 PLAN STAIR # 16
WS-S0426 1:30



11 SECTION
WS-S0426 1:30



B.M. ELEV.		 		ENGINEER'S SEAL		 THE CITY OF WINNIPEG WATER AND WASTE DEPARTMENT ENGINEERING DIVISION	
DESIGNED BY: ARA		CHECKED BY: AP		ORIGINAL SIGNED BY: A. POCHANART		CITY FILE NUMBER	
DRAWN BY: WDB		APPROVED BY: AHL		2007/01/31		SHEET OF	
SCALE: AS NOTED		RELEASED FOR CONSTRUCTION BY: R. SOROKOWSKI		CONSULTANT DRAWING NO. WS-S0426		CITY DRAWING NUMBER	
NO. REVISIONS		DATE		DATE		1-0601S-A-S0426-01-0D	
01	792-2006 ADDENDUM 3	07/03/30	WDB	2006/09/17	2007/01/31	STRUCTURAL CATWALK STAIRS AND PLATFORM DETAILS	
00	ISSUED FOR TENDER	07/01/31	WDB				