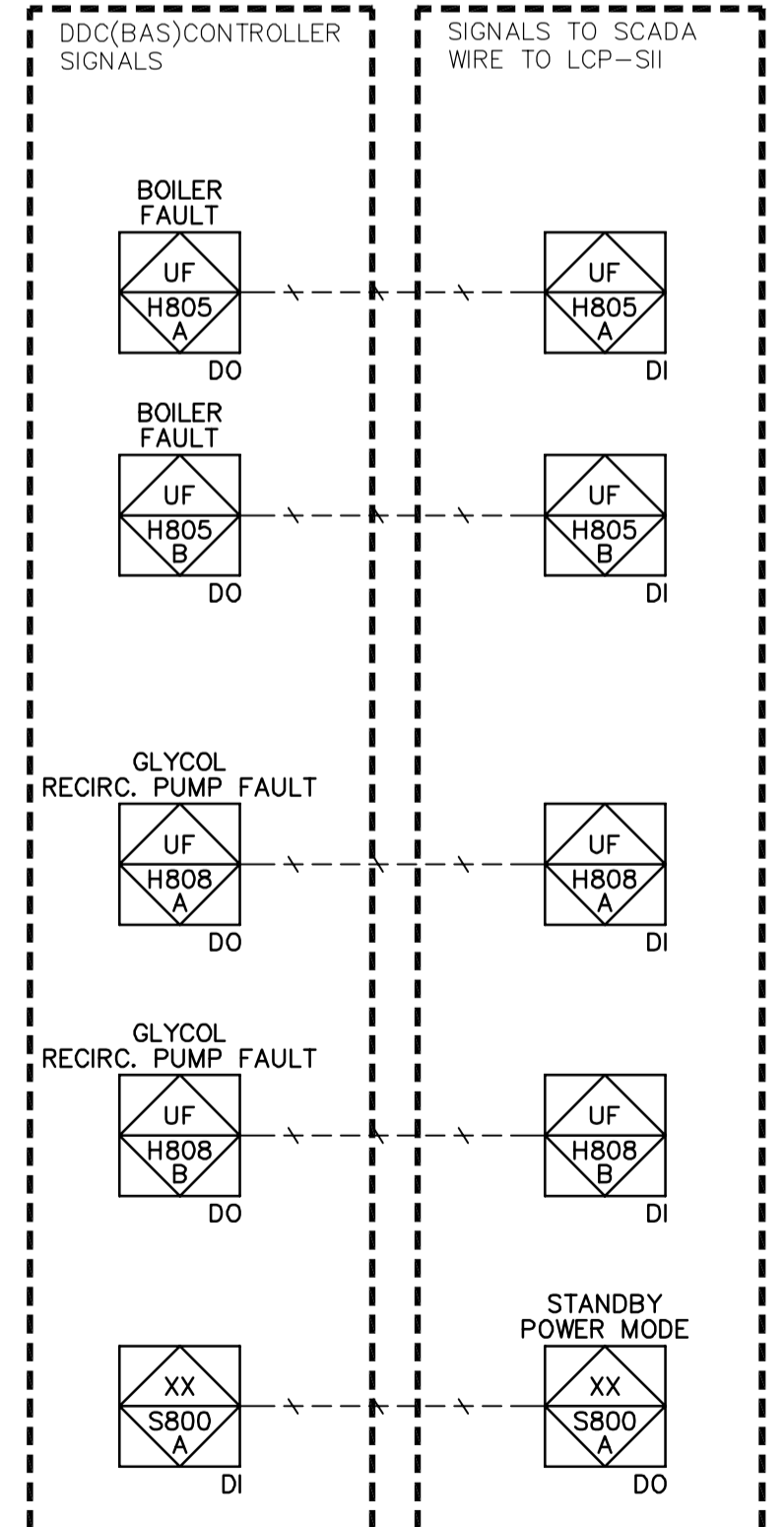


1 HEATING SCHEMATIC - HOT WATER BOILERS
N.T.S.



<p>Certificate of Authorization Earth Tech Canada Inc. No. 730 Expiry: April 30, 2007</p>	B.M. ELEV.	<p>Frederickson Cooper ARCHITECTS</p>	<p>A Tech International Ltd. Company</p>	ENGINEER'S SEAL	<p>THE CITY OF WINNIPEG WATER AND WASTE DEPARTMENT ENGINEERING DIVISION</p>	
	DESIGNED BY AMA/LJW/GD			CHECKED BY GD		ORIGINAL SIGNED BY A. M. AFTANAS
	DRAWN BY LJW / DJP	APPROVED BY AHL	2007/01/31	WATER TREATMENT PLANT BULK CHEMICAL BUILDING SODIUM HYPOCHLORITE AND CHEMICAL STORAGE BUILDING		CITY FILE NUMBER
	SCALE: N.T.S.	RELEASED FOR CONSTRUCTION BY: R. SOROKOWSKI	CONSULTANT DRAWING NO. WS-H0508	MECHANICAL HEATING SCHEMATIC-HOT WATER BOILERS		SHEET OF
01 792-2006 ADDENDUM 2 07/03/20 LJW	00 ISSUED FOR TENDER 07/01/31 DL	DATE 2006/09/11	DATE 2007/01/31	CITY DRAWING NUMBER	1-0608-G-H0508-001-01D	