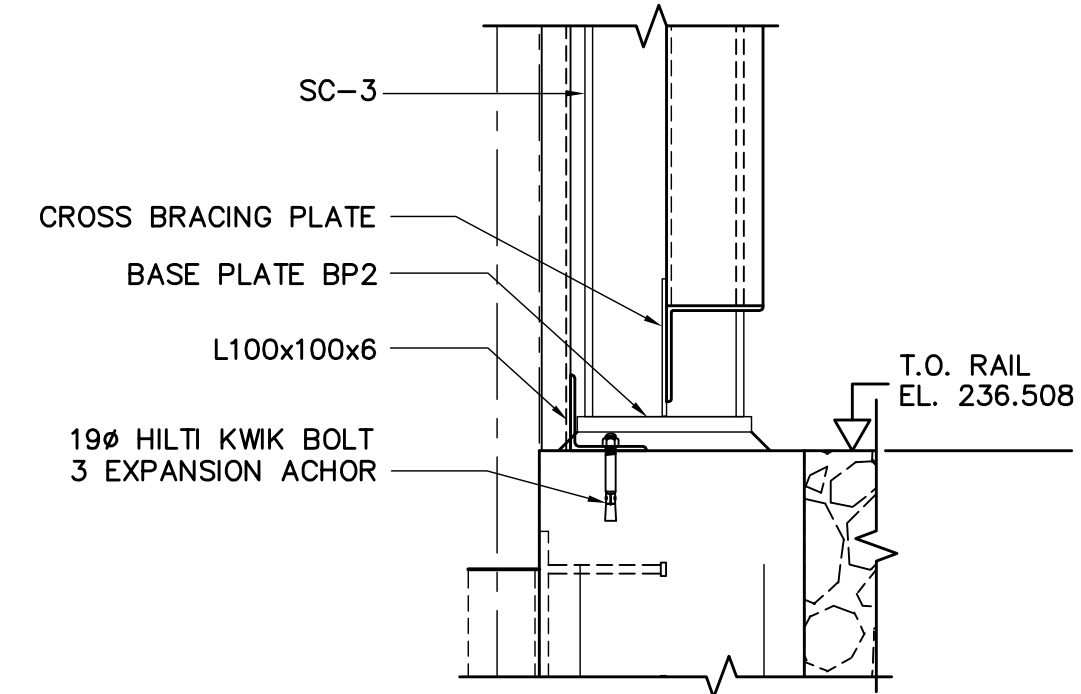
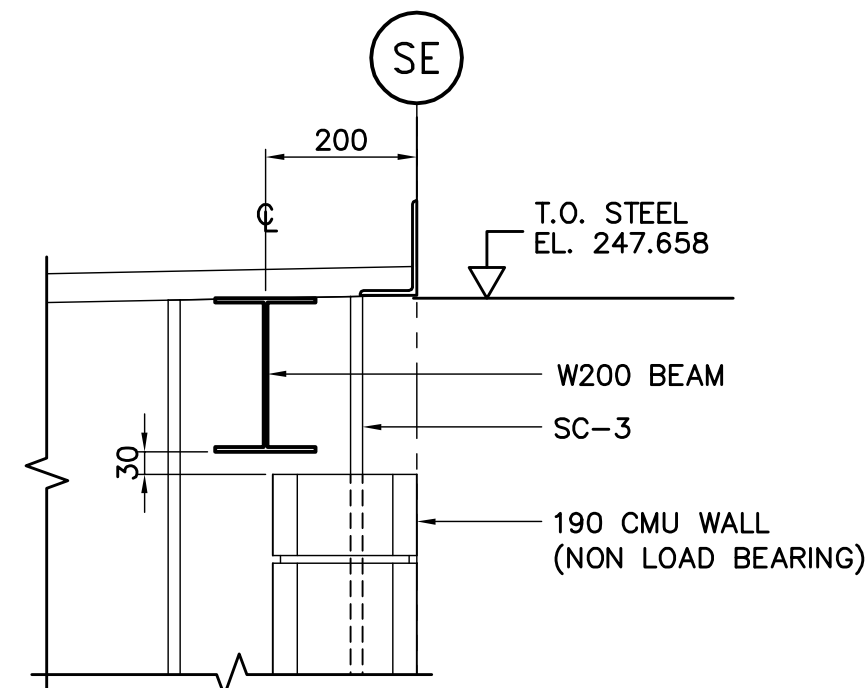


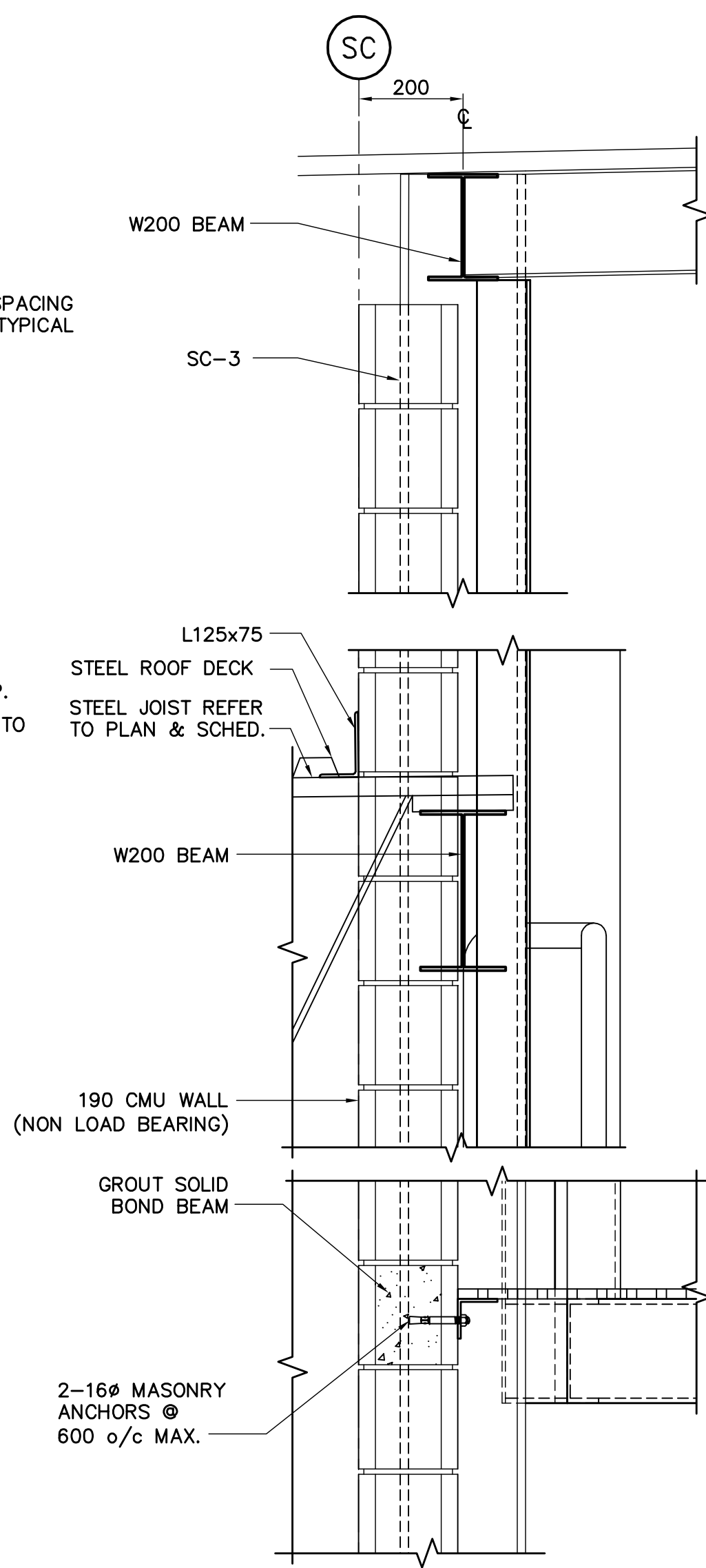
A SECTION DETAIL
WS-S0407 1:10



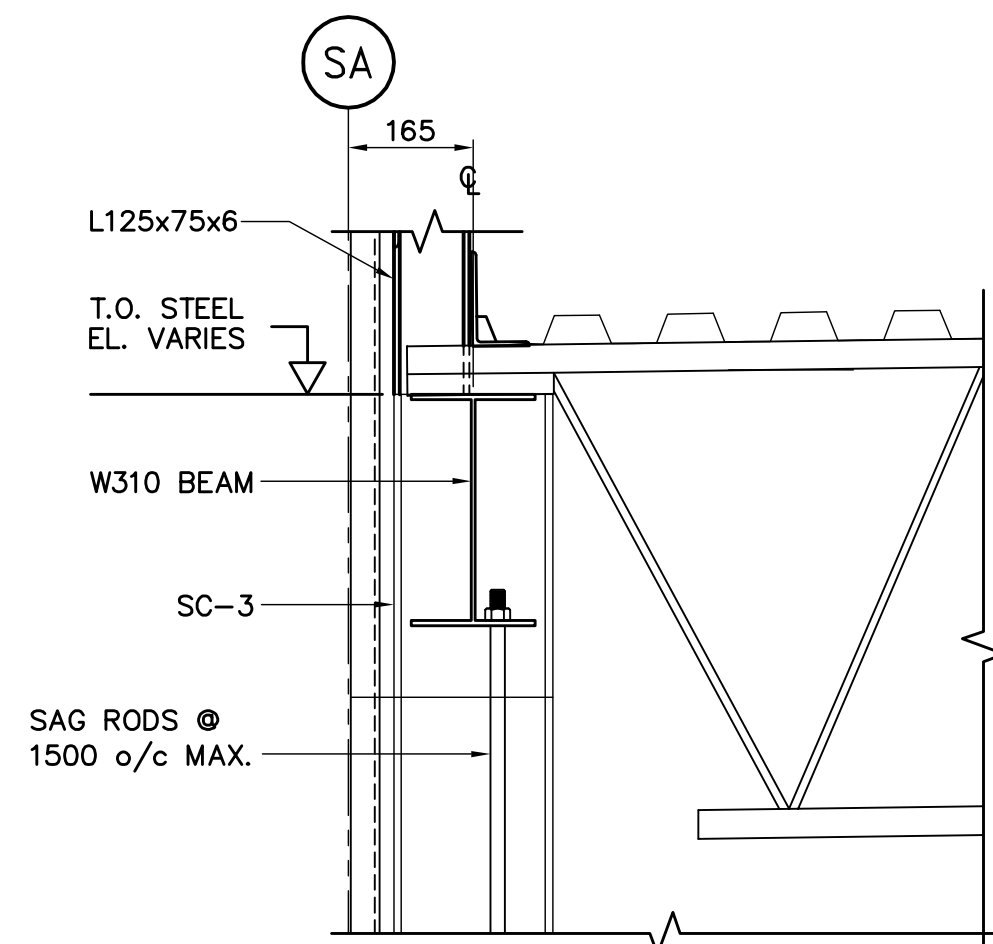
B SECTION DETAIL
WS-S0407 1:10



D SECTION DETAIL
WS-S0407 1:10

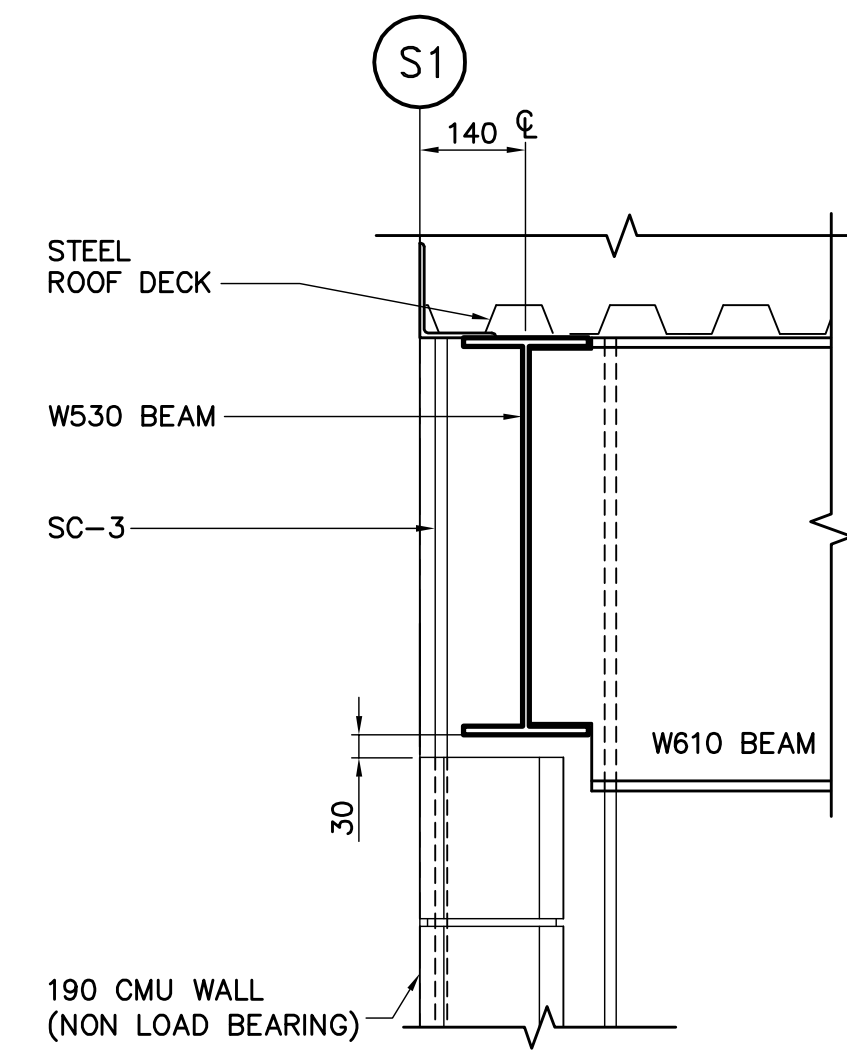


C SECTION DETAIL
WS-S0407 1:10

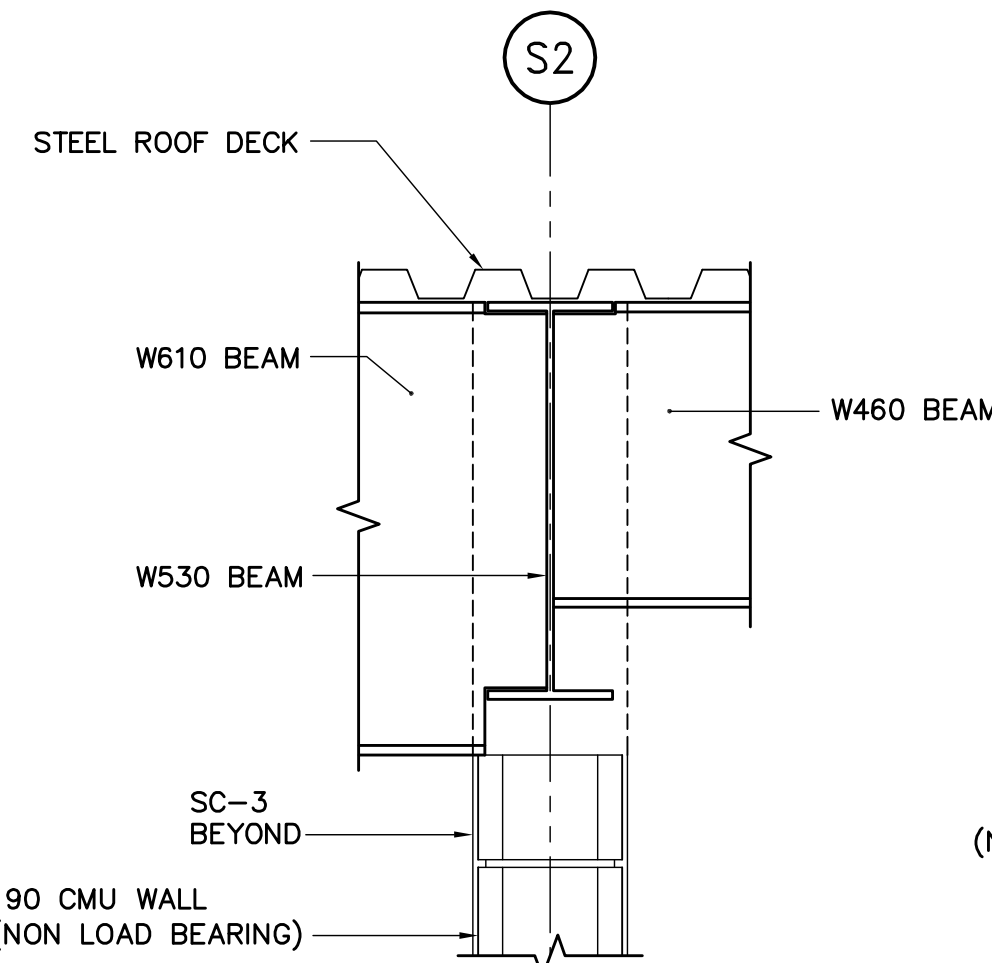


F SECTION DETAIL
WS-S0408 1:10

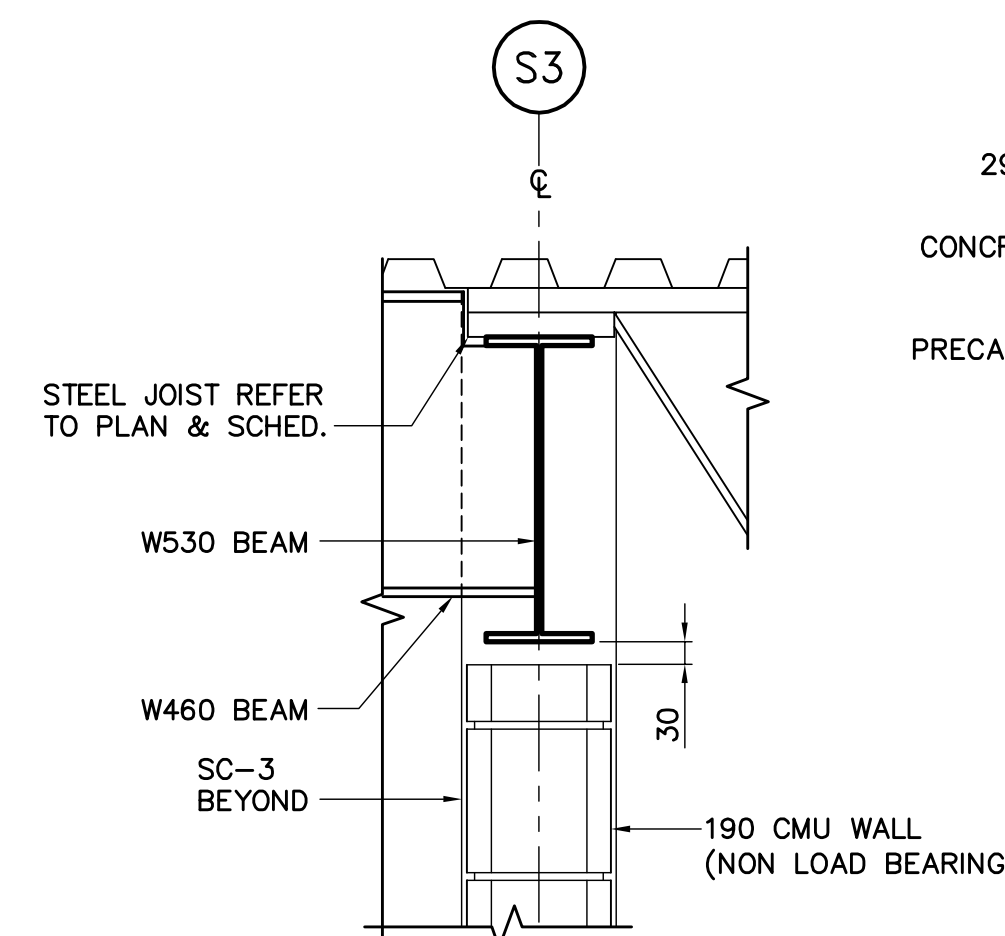
DETAIL 'E' DELETED



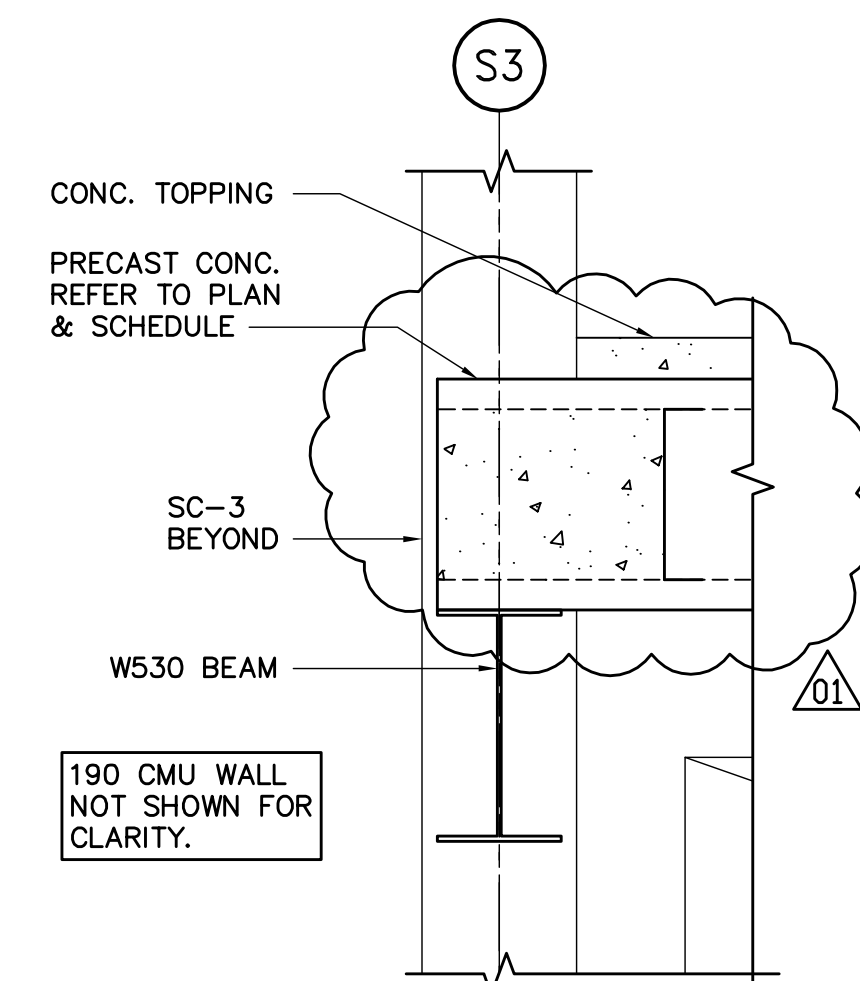
H SECTION DETAIL
WS-S0408 1:10



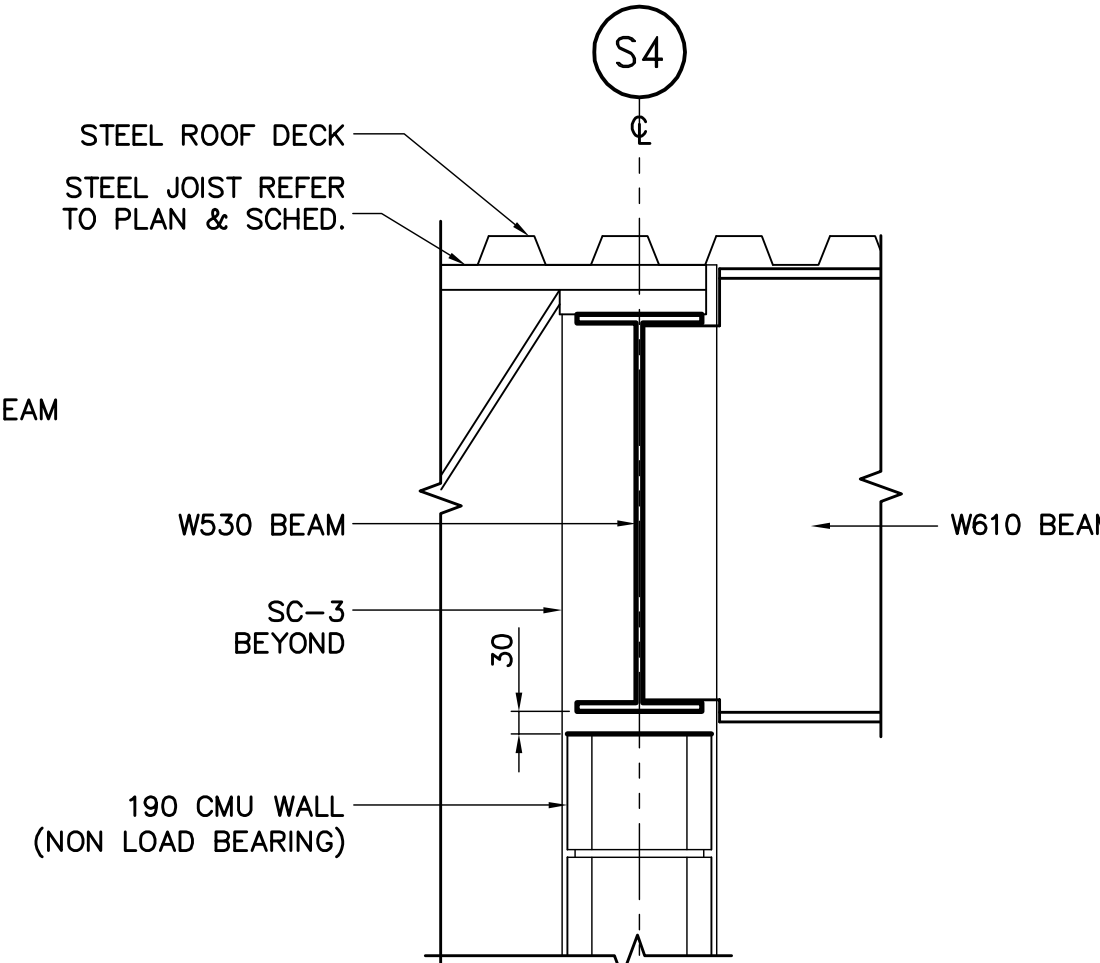
J SECTION DETAIL
WS-S0409 1:10



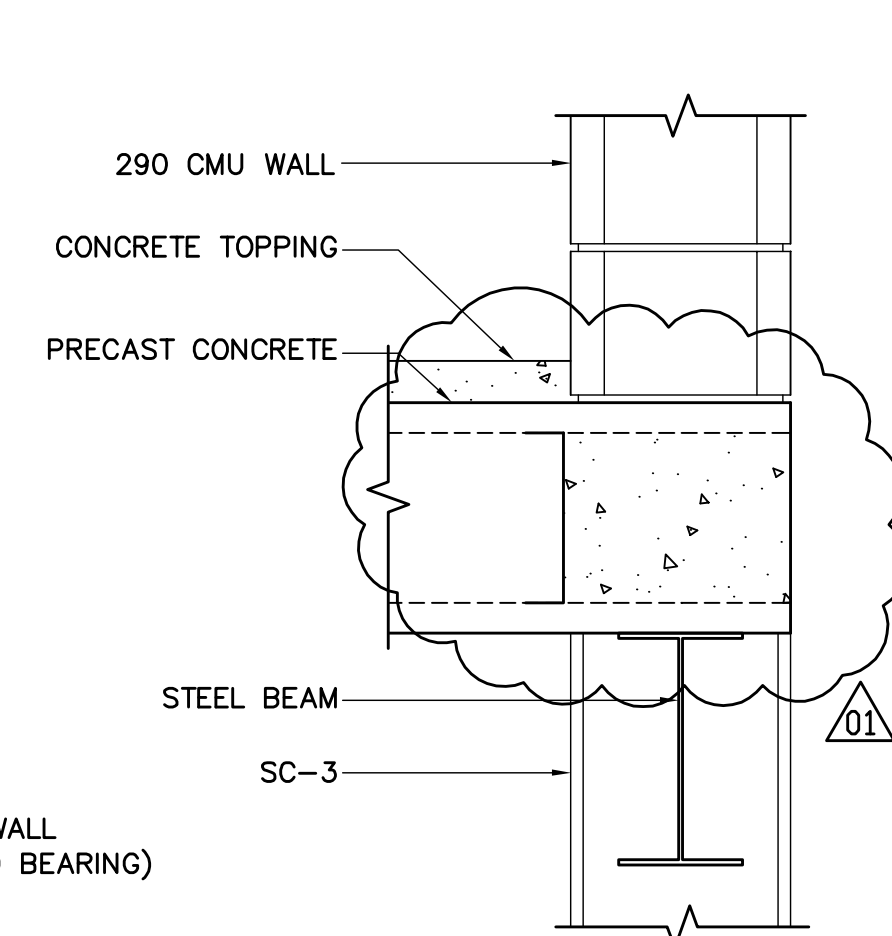
K SECTION DETAIL
WS-S0409 1:10



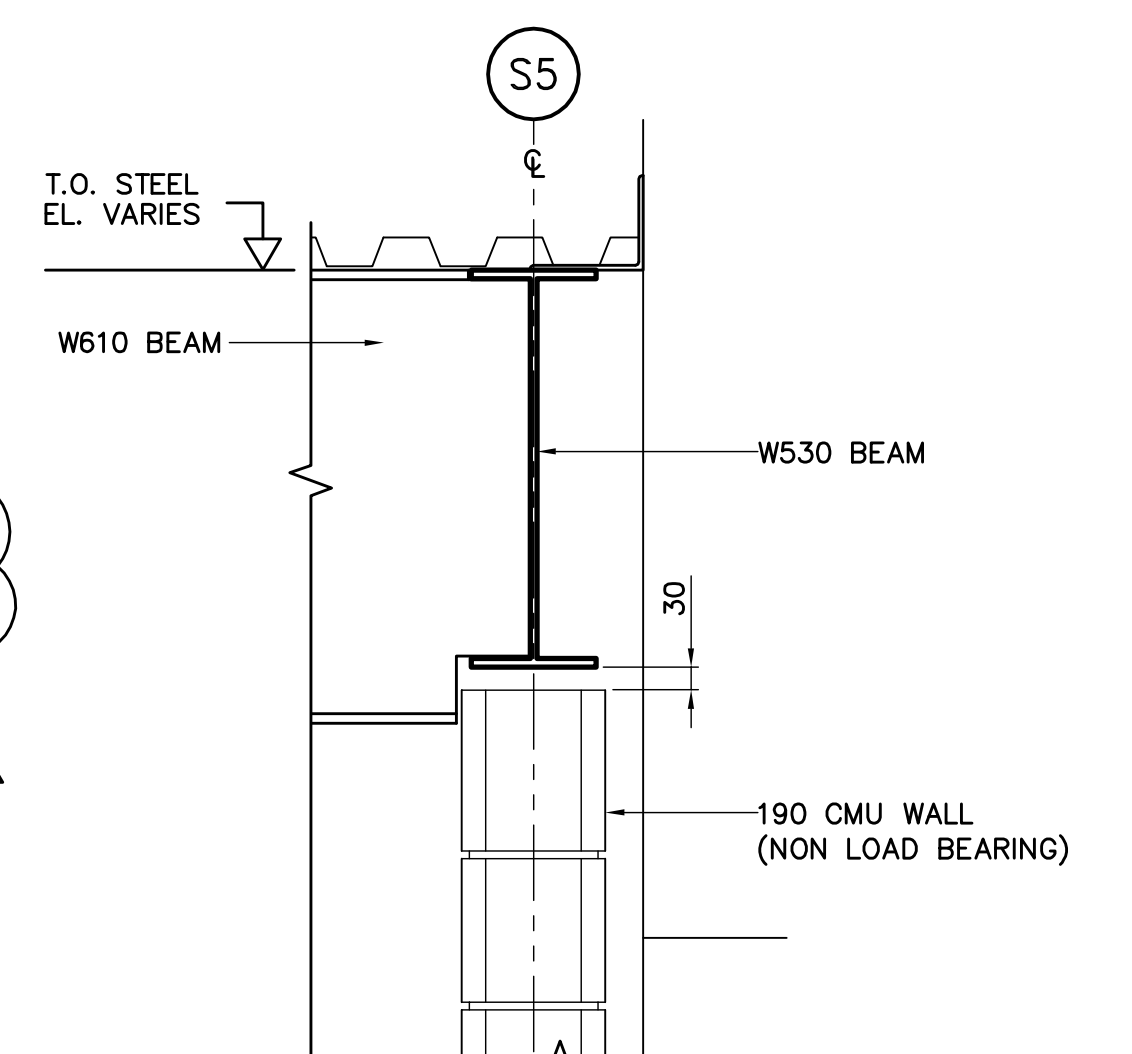
L SECTION DETAIL
WS-S0409 1:10



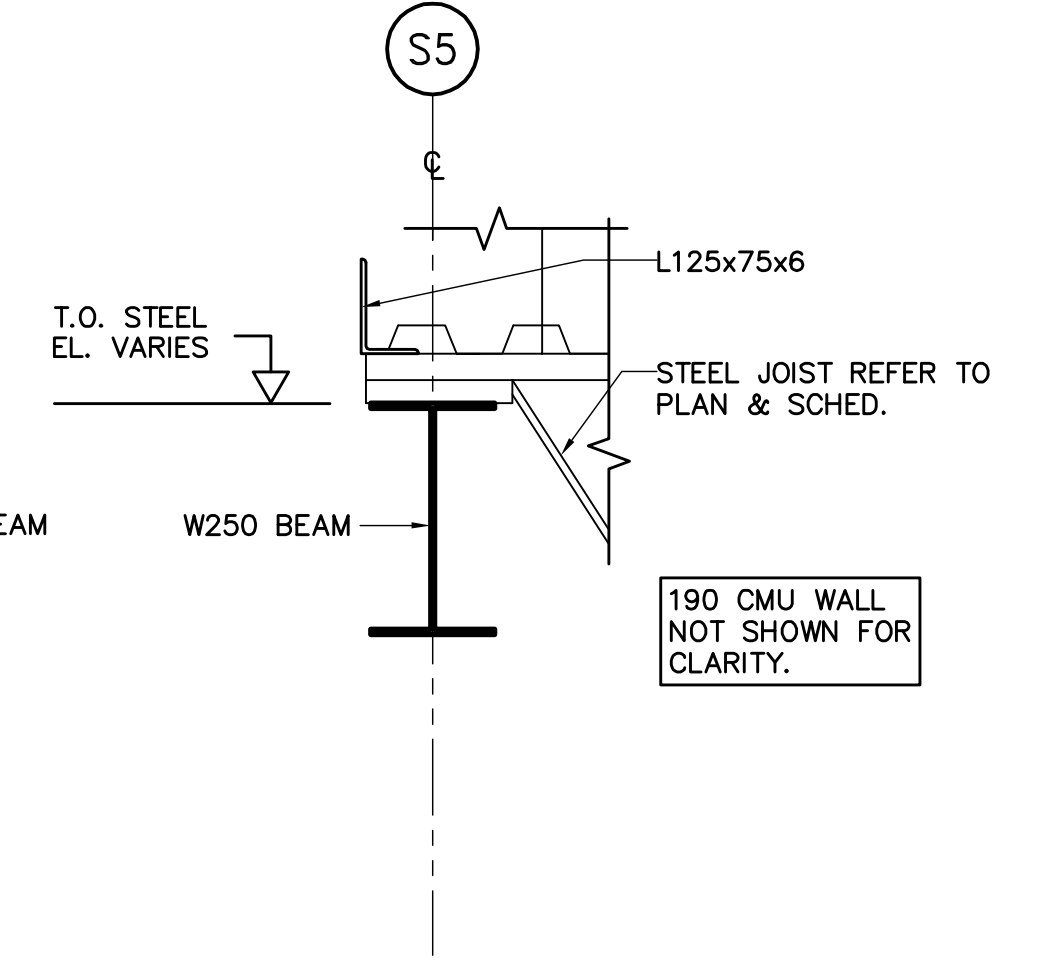
M SECTION DETAIL
WS-S0409 1:10



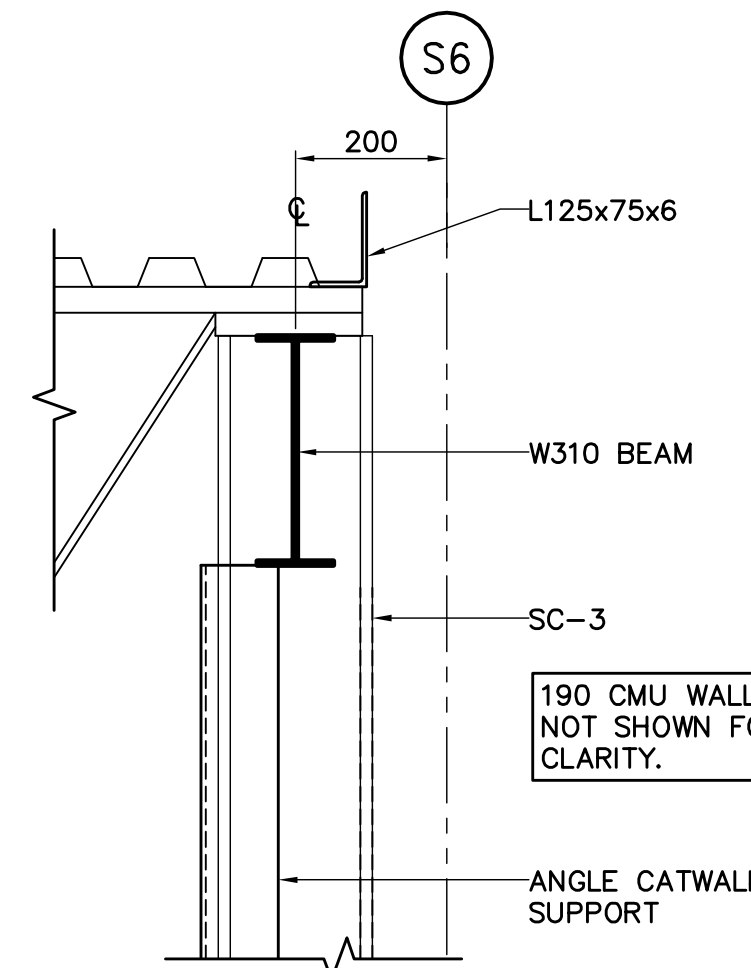
N SECTION DETAIL
WS-S0409 1:10



P SECTION DETAIL
WS-S0409 1:10



R SECTION DETAIL
WS-S0409 1:10



S SECTION DETAIL
WS-S0409 1:10



B.M. ELEV.	DATE	BY	DATE	DATE
	07/03/22	WDB	2006/10/04	
	07/01/31	WDB		
01	792-2006 ADDENDUM 2	07/03/22	WDB	
00	ISSUED FOR TENDER	07/01/31	WDB	
NO.	REVISIONS	DATE	BY	DATE



Frederickson Cooper ARCHITECTS



DESIGNED BY	ARA	CHECKED BY	
DRAWN BY	WDB	APPROVED BY	AHL
SCALE:	AS NOTED	RELEASED FOR CONSTRUCTION BY:	R. SOROKOWSKI
		DATE	2007/01/31

ENGINEER'S SEAL	
ORIGINAL SIGNED BY	A. POCHANART
	2007/01/31
CONSULTANT DRAWING NO.	WS-S0410

THE CITY OF WINNIPEG
WATER AND WASTE DEPARTMENT
ENGINEERING DIVISION

WATER TREATMENT PLANT BULK CHEMICAL BUILDING SODIUM HYPOCHLORITE AND CHEMICAL STORAGE BUILDING	CITY FILE NUMBER
STRUCTURAL BUILDING SECTIONS AND DETAILS	SHEET OF
	CITY DRAWING NUMBER
	1-06018-A-S0410-001-0D