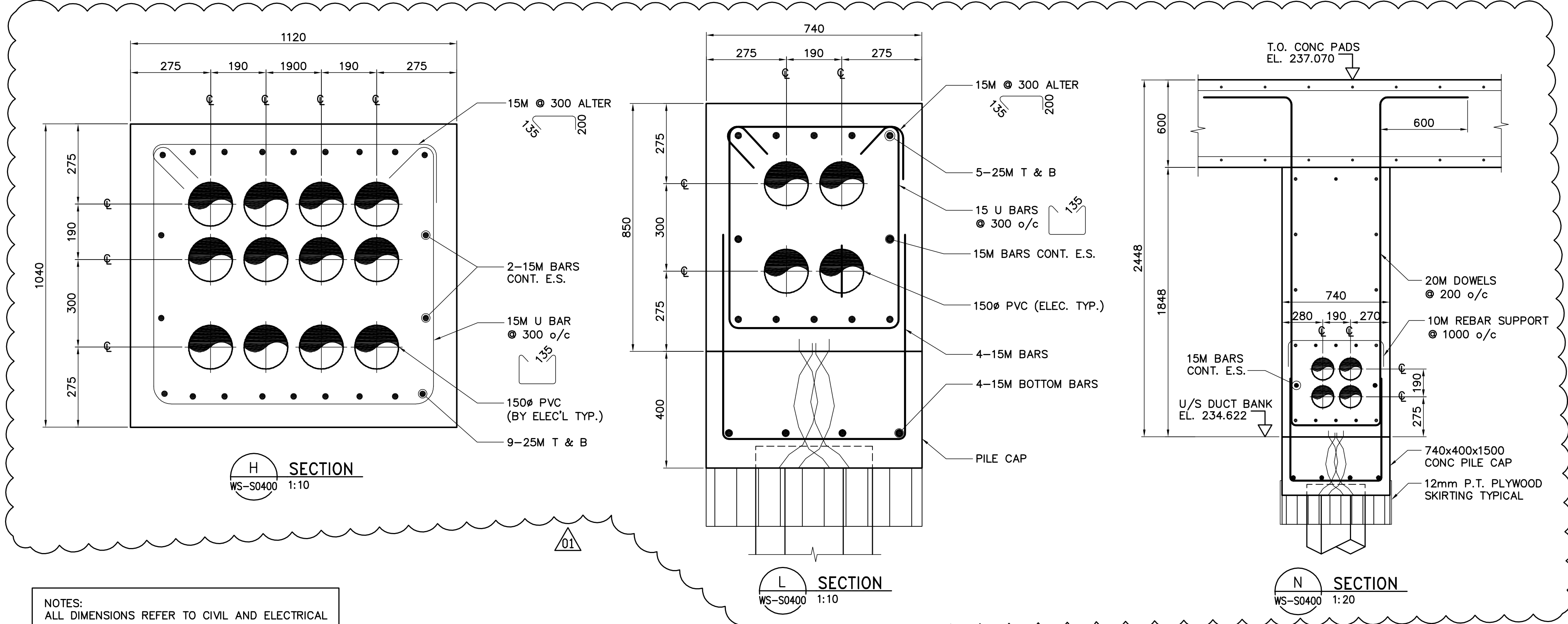
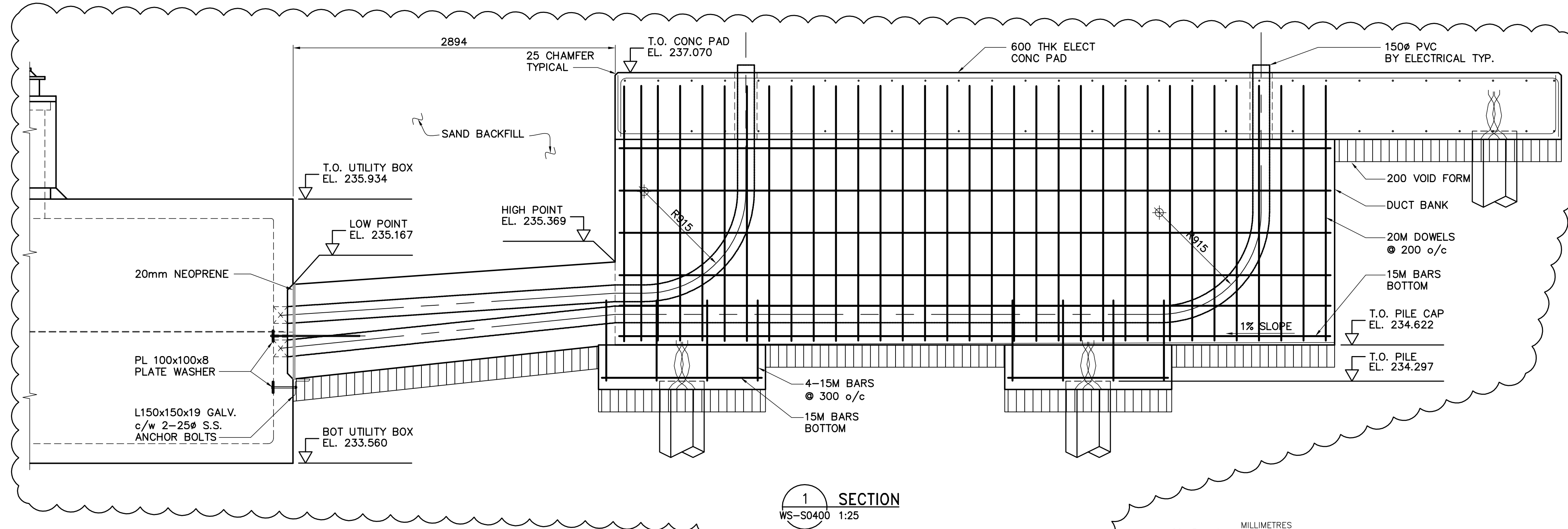


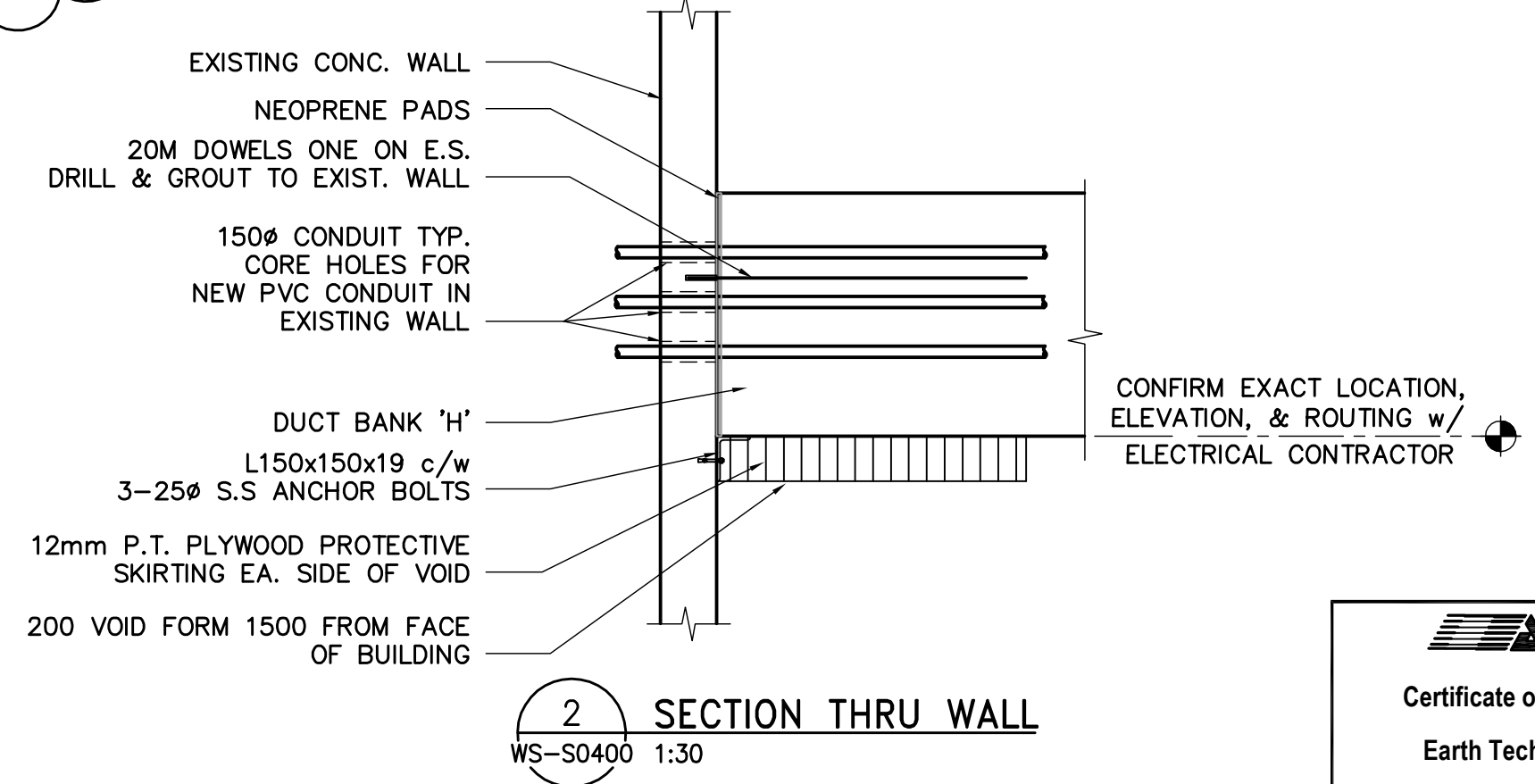
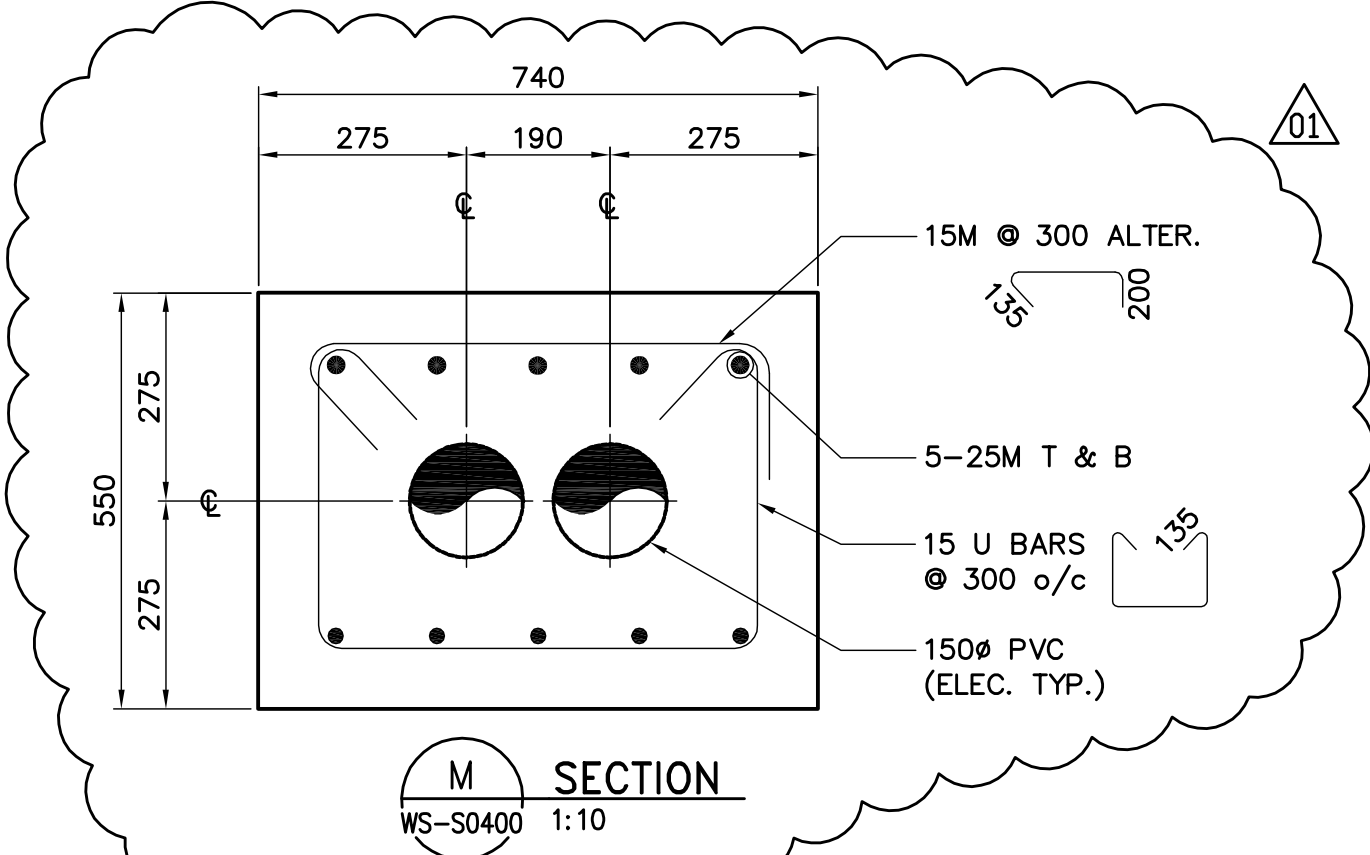
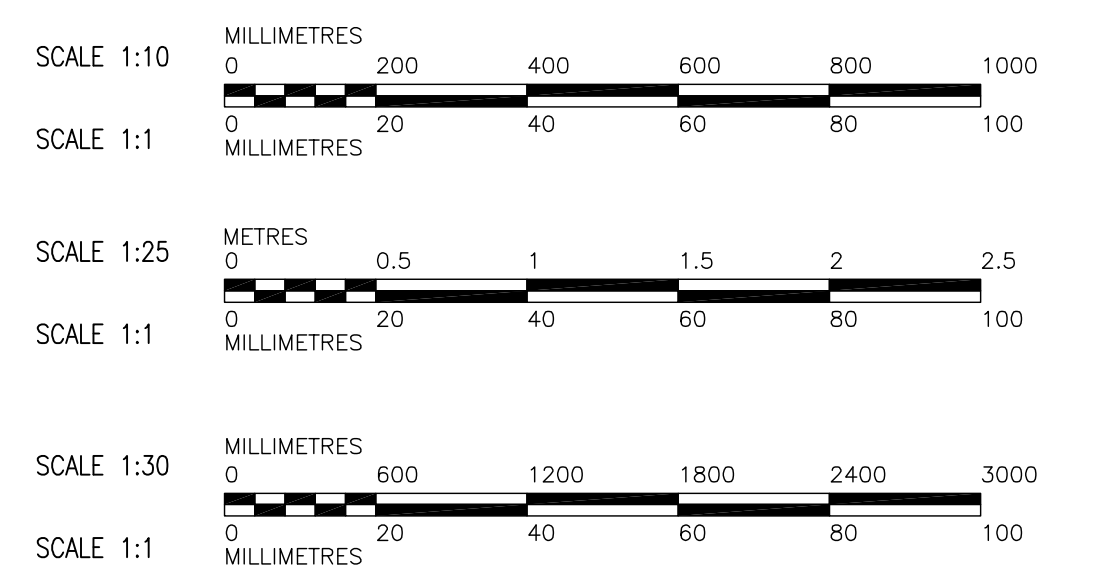
PLAN OF DUCT BANKS AT BULK CHEM BLDG.
N.T.S.



NOTES:
ALL DIMENSIONS REFER TO CIVIL AND ELECTRICAL



NOTE:
REFER TO DWG. WS-S0423 FOR PLAN



APECM
Certificate of Authorization
Earth Tech Canada Inc.
No. 730 Expiry: April 30, 2007

B.M. ELEV.	CH2M HILL Frederickson Cooper ARCHITECTS	EarthTech A Tyco International Ltd. Company	ENGINEER'S SEAL ORIGINAL SIGNED BY A. POCHANART 2007/01/31	THE CITY OF WINNIPEG WATER AND WASTE DEPARTMENT ENGINEERING DIVISION
DESIGNED BY: ARA	CHECKED BY: AP	CONSTRUCTION NO.: WS-S0400	WATER TREATMENT PLANT BULK CHEMICAL BUILDING SODIUM HYPOCHLORITE AND CHEMICAL STORAGE BUILDING	
DRAWN BY: CMF	APPROVED BY: AHL	SCALE: AS NOTED	CITY FILE NUMBER	
NO. REVISIONS	DATE	BY	SHEET OF	
01	792-2006 ADDENDUM 2	07/03/22	CITY DRAWING NUMBER	
00	ISSUED FOR TENDER	07/01/31	1-0601S-A-S0400-01-0D	
DATE	2006/12/21	DATE	2007/01/31	