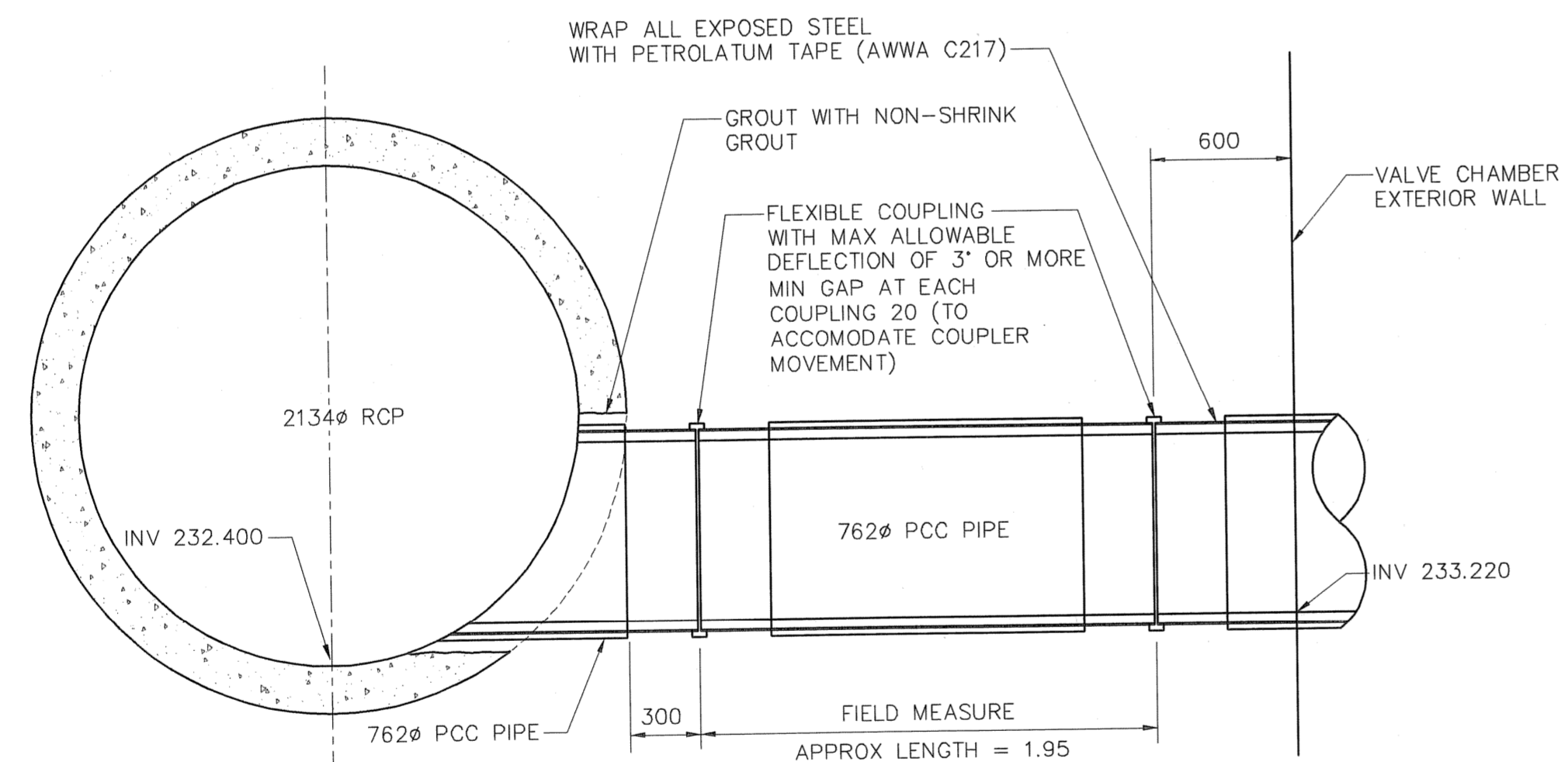
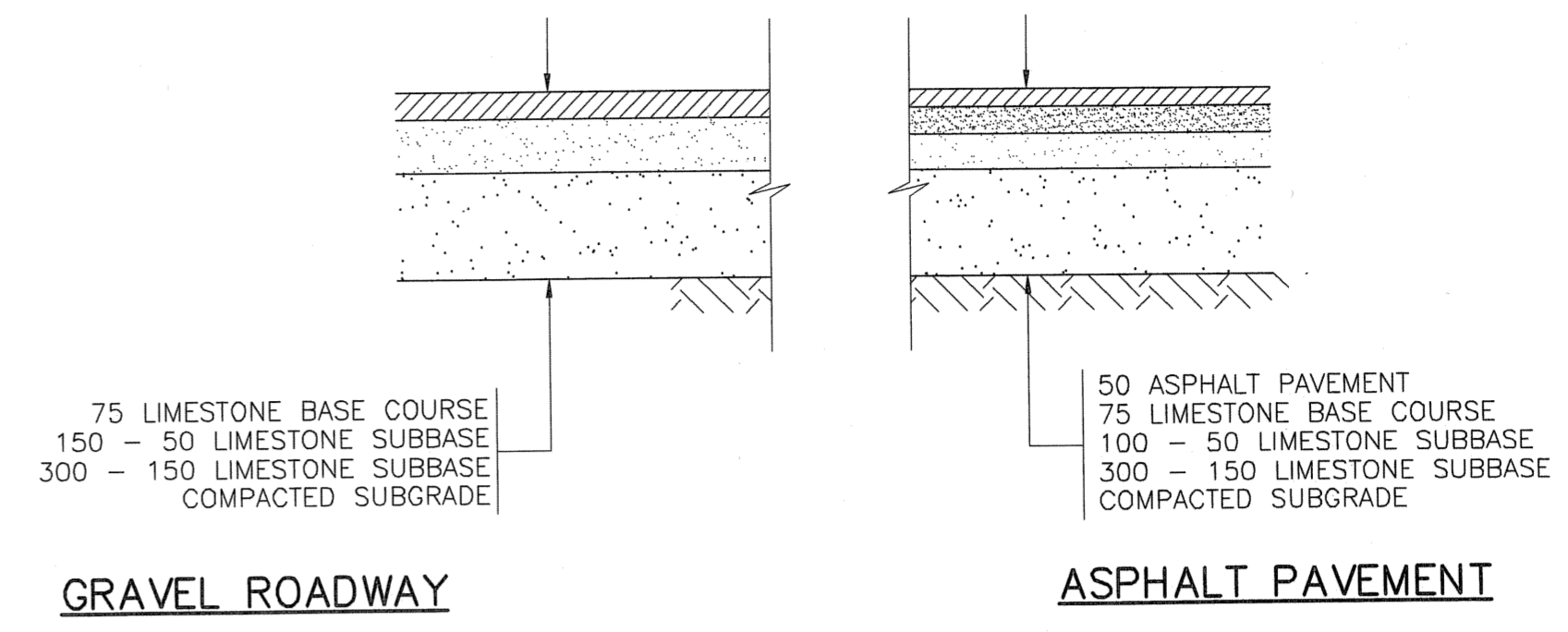


FIELD CLOSURE (TYP)
SCALE 1:25



762 SUPERNATANT CONNECTION TO WTP OVERFLOW
SCALE 1:25



TYPICAL SECTIONS THRU EXISTING ROADWAY & PARKING AREAS
N.T.S.

NOTE:
SURFACES MUST BE RESTORED FOLLOWING PIPE INSTALLATION

B.M. ELEV.	UMA AECOM					WINNIPEG WATER TREATMENT PROGRAM WTP OVERFLOW SUPERNATANT LINE	CITY FILE NUMBER
	© 2005 UMA ENGINEERING LTD. ALL RIGHTS RESERVED. DESIGNED BY: EDT CHECKED BY: <i>[Signature]</i> DRAWN BY: KMB APPROVED BY: <i>[Signature]</i> HOR. SCALE: AS NOTED RELEASED FOR CONSTRUCTION BY: VERTICAL SCALE: AS NOTED						SHEET 1 OF 1
00 ISSUED FOR TENDER	07/01/26	WJd	DATE	2006/10/12	DATE	CIVIL 2134 RCP	CITY DRAWING NUMBER 1-0601Y-C-0205-001-00D
NO. REVISIONS	DATE	BY	DATE	2006/10/12	DATE	MISCELLANEOUS SECTIONS AND DETAILS	

